

Multi-Cal-System Evaluation Module

This user's guide describes the characteristics, operation, and the use of the Multi-Cal-System evaluation module (EVM). It covers all pertinent areas involved to properly use this EVM board. The document includes the physical printed circuit board layout, schematic diagrams, and circuit descriptions.

Contents

1	Overview	3
2	Starter System Setup	9
3	Expanding the System Size	22
4	Troubleshooting Tips	28
5	Bill of Materials	29

List of Figures

1	Hardware Included with the Multi-Cal-System EVM Kit.....	3
2	Multi-Cal-Slave Kit	4
3	Multi-Cal-Interface PCA Card	4
4	Multi-Cal-Test PCA Card.....	5
5	Multi-Cal-Interface Cable.....	6
6	Multi-Cal-Power Cable	6
7	Multi-Cal-System EVM Hardware Setup	9
8	Connect Multi-Cal-Master PCA to USB DAQ Platform	10
9	Connect Multi-Cal-Interface Cable to Multi-Cal-Master PCA Card.....	11
10	Connect Multi-Cal-Interface Cable to Multi-Cal-Interface PCA Card	11
11	Jumpers on Multi-Cal-Interface PCA Card	12
12	Jumpers on Multi-Cal-Test PCA Card	13
13	Connect Multi-Cal-Test PCA Card to Multi-Cal-Interface PCA Card	14
14	Connect Multi-Cal-Power Cable to Multi-Cal-Master PCA Card	15
15	Connect Multi-Cal-Power Cable to Power Supplies (Current Loop Output)	16
16	Connect Multi-Cal-Power-Cable to Power Supplies (Voltage Output).....	17
17	Typical Instrument Connection	18
18	Connect Serial Port to DMM	19
19	Connect IEEE488 to DMM	20
20	Universal 9-V Supply to USB DAQ Platform.....	21
21	Connect USB Cable to USB DAQ Platform.....	21
22	Complete System Setup.....	22
23	Replace Standoffs	22
24	Connect the Ribbon Cable to the Master	23
25	Connect Slave Ribbon Cable to Slave.....	24
26	Secure Slave to Master.....	25
27	Cable Connections to Slave Board	26
28	Jumper Locations and Positions for Expanding System Size	27

Microsoft, Windows are registered trademarks of Microsoft Corporation.
All other trademarks are the property of their respective owners.

29	Complete Expanded System.....	27
30	Communications Error Message	28
31	Windows Device Manager: Active Human Interface Device Connection	28

List of Tables

1	Recommended Starter System	7
2	Additional Test Equipment Required	7
3	Mode Jumpers on the Multi-Cal-Test PCA.....	13
4	Jumper Bank Functions on the Multi-Cal-Test PCA	14
5	Multi-Cal-System EVM Board Parts List	29

1 Overview

The Multi-Cal-System Evaluation Module is a set of EVMs that is used to calibrate multiple [PGA308](#) and [PGA309](#) sensor modules. The PGA308 and PGA309 are two programmable analog sensor signal conditioners. All components in the Multi-Cal-System can be expanded to calibrate up to 64 sensors simultaneously. For a more detailed description of the PGA308, please refer to the product data sheet ([SBOS440](#)) available from the Texas Instruments web site at <http://www.ti.com>. Additional support documents are listed in the section of this guide entitled [Related Documentation from Texas Instruments](#).

The Multi-Cal-System Evaluation Module consists of two printed circuit boards (PCBs). One board (the USB DAQ Platform) generates the signals required to communicate with the Multi-Cal-System, which is the second board (Multi-Cal-Master PCA), as well as support and configuration circuitry. The complete Multi-Cal-System contains a series of PCBs, and can be expanded to meet your specific system requirements.

Throughout this document, the abbreviation *EVM* and the term *evaluation module* are synonymous with the Multi-Cal-System Evaluation Module.

1.1 Multi-Cal-System Hardware Options

Figure 1 shows the hardware included with the basic Multi-Cal-System kit. Contact the factory if any component is missing.

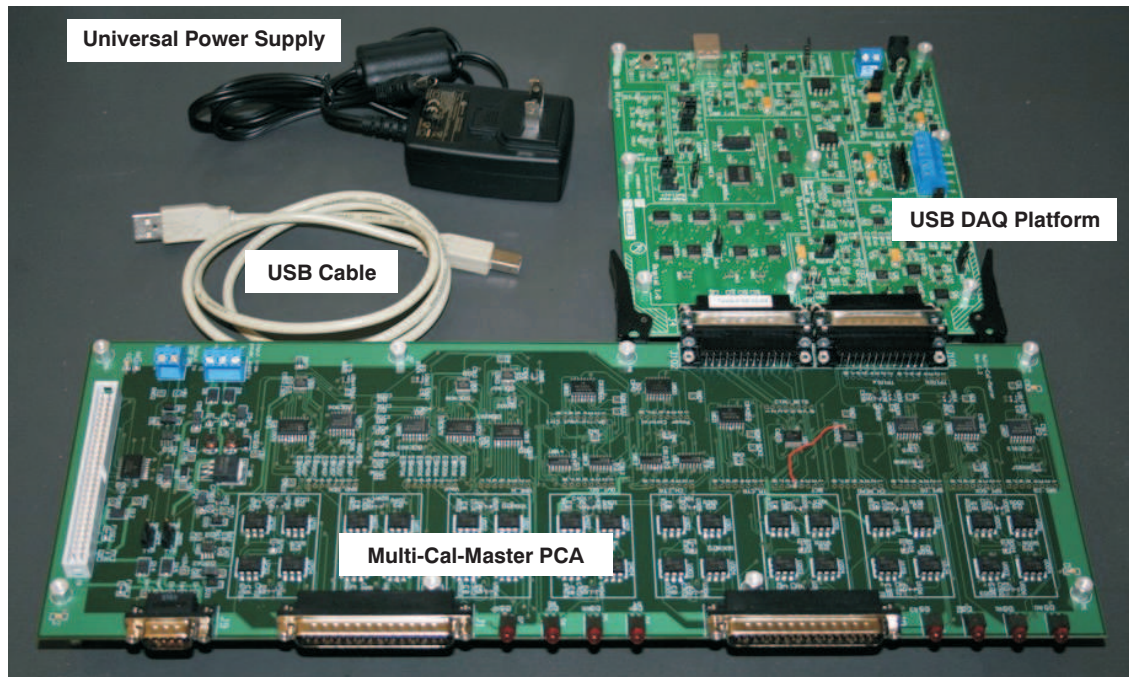


Figure 1. Hardware Included with the Multi-Cal-System EVM Kit

The Multi-Cal-System EVM kit includes the following items:

- **Multi-Cal-System PCB:** This board multiplexes all the communication signals, sensor module output signals, and power.
- **USB DAQ Platform PCB:** This board connects to the USB port on your computer. It generates all the control signals and communication signals for the Multi-Cal-System.
- **USB cable:** Connects your computer to the USB DAQ Platform PCB; it is an A-Male to B-Male USB cable.
- **Universal 9V power supply:** 9-V_{DC}, 220-V/120-V universal power source. (Adaptors are also provided for most major countries.)

Figure 2 shows the Multi-Cal-Slave kit. Each Multi-Cal-Slave kit enables you to expand the system by eight channels. For example, a Multi-Cal-Master kit and one Multi-Cal-Slave kit combine to form a 16-channel system. Seven Multi-Cal-Slave boards and a single Multi-Cal-Master combine to form a 64-channel system.

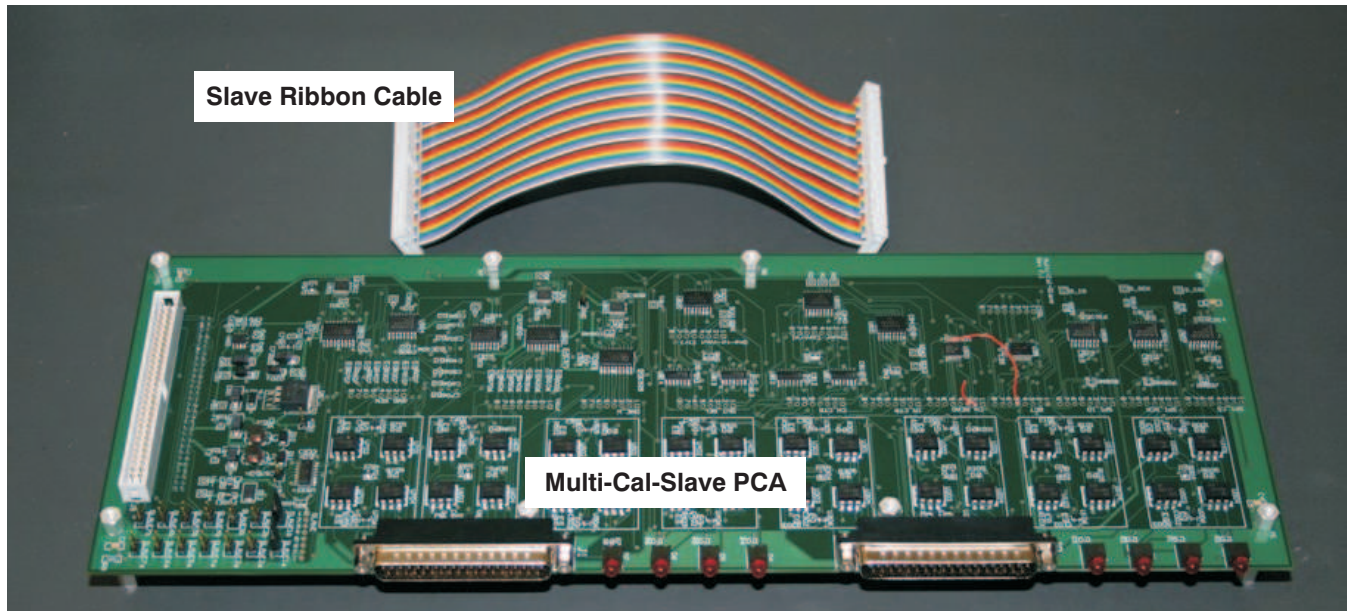


Figure 2. Multi-Cal-Slave Kit

The Multi-Cal-Slave kit contains these items:

- **Multi-Cal-Slave PCB:** The slave board adds eight measurement channels to the system. The slave board is almost identical to the master board. The primary difference between the master and the slave is that the master connects to the USB DAQ Platform and the slave connects to the master via a ribbon cable, as shown in Figure 2.
- **Slave Ribbon cable:** The Slave Ribbon cable connects all the signals and power from the master to the slave. Note that power is distributed across several wires to minimize loss.

Figure 3 shows the Multi-Cal-Interface PCA card. The Multi-Cal-Interface can be used to connect the sensor modules to the system. The Multi-Cal-Test boards can also be connected to this board. The Multi-Cal-Interface board connects to the master or slave via the Multi-Cal-Interface cable on the 37-pin DSUB connectors.

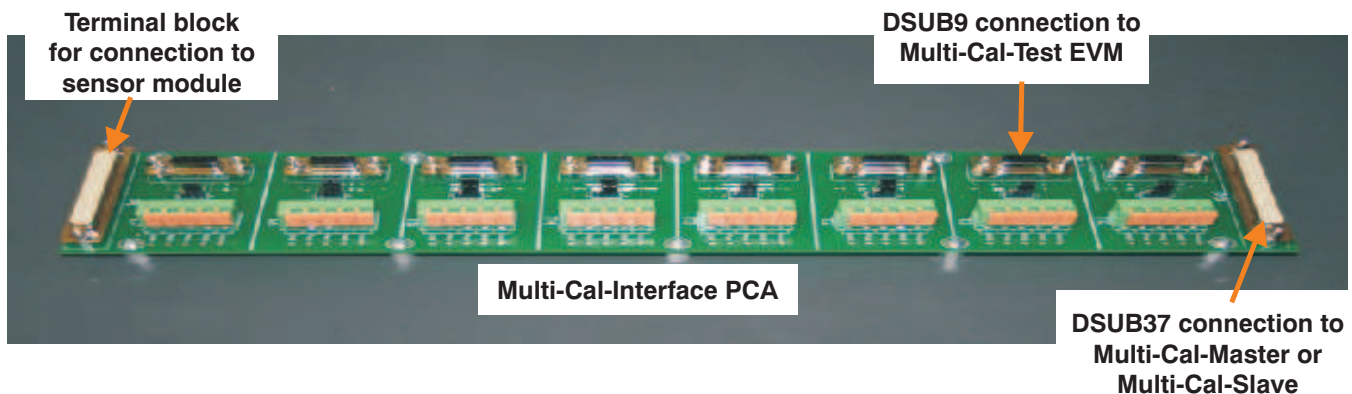


Figure 3. Multi-Cal-Interface PCA Card

Figure 4 shows the Multi-Cal-Test PCA card. The Multi-Cal-Test card contains a PGA308 with associated electronics, jumpers for mode configuration, and a sensor emulator. The equivalent PGA309 test board does not exist at the time of this writing; it is currently under development. The Multi-Cal-Test board can be used to verify that the system is functional before connecting your sensor modules. The Multi-Cal-Test PCA can also be used to demonstrate the accuracy capability of the system. The Multi-Cal-Test PCA is also a good tool for learning how to use the system.

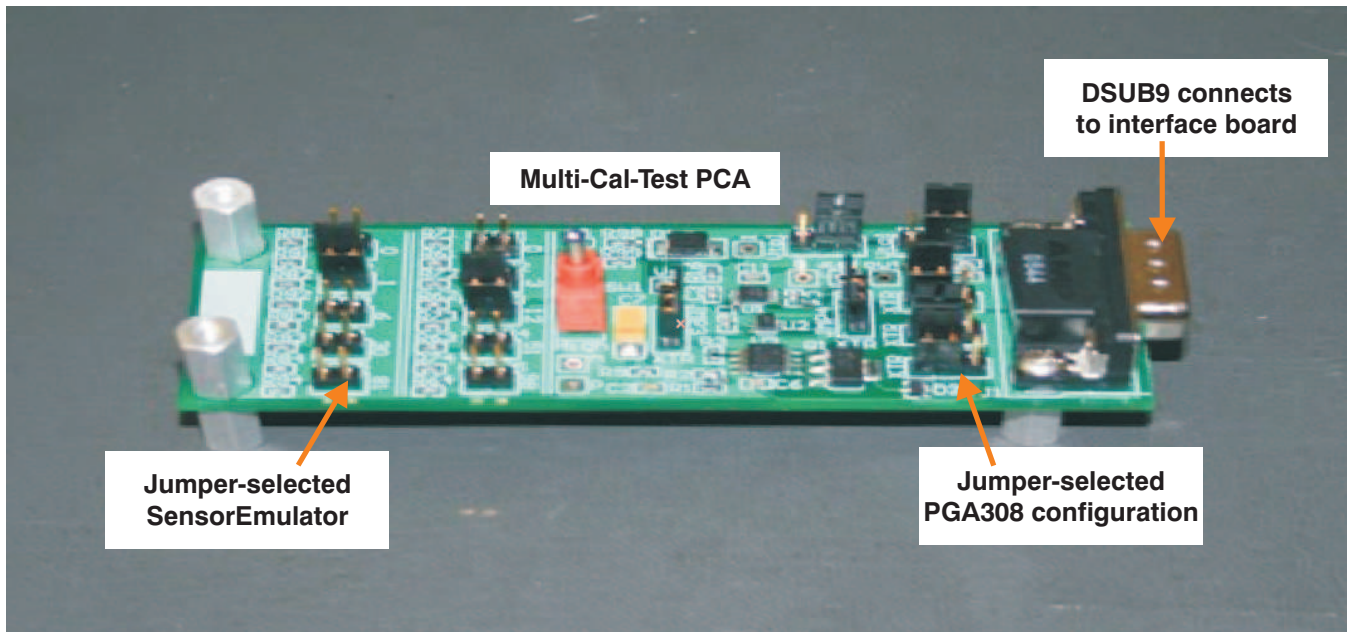


Figure 4. Multi-Cal-Test PCA Card

Figure 5 shows the Multi-Cal-Interface cable. The Multi-Cal-Interface cable connects the Multi-Cal-Master or Multi-Cal-Slave to the Interface board.

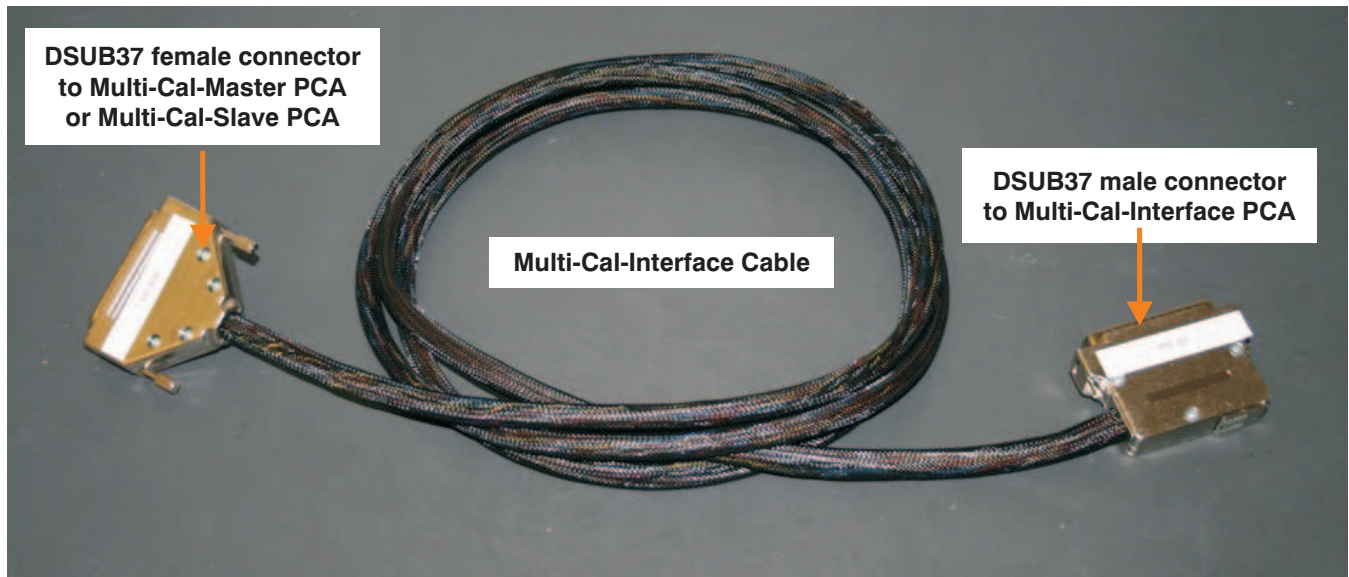


Figure 5. Multi-Cal-Interface Cable

Figure 6 shows the Multi-Cal-Power cable. The Multi-Cal-Power cable connects the power supplies and a digital multimeter (DMM) to the Multi-Cal-Master PCA card.

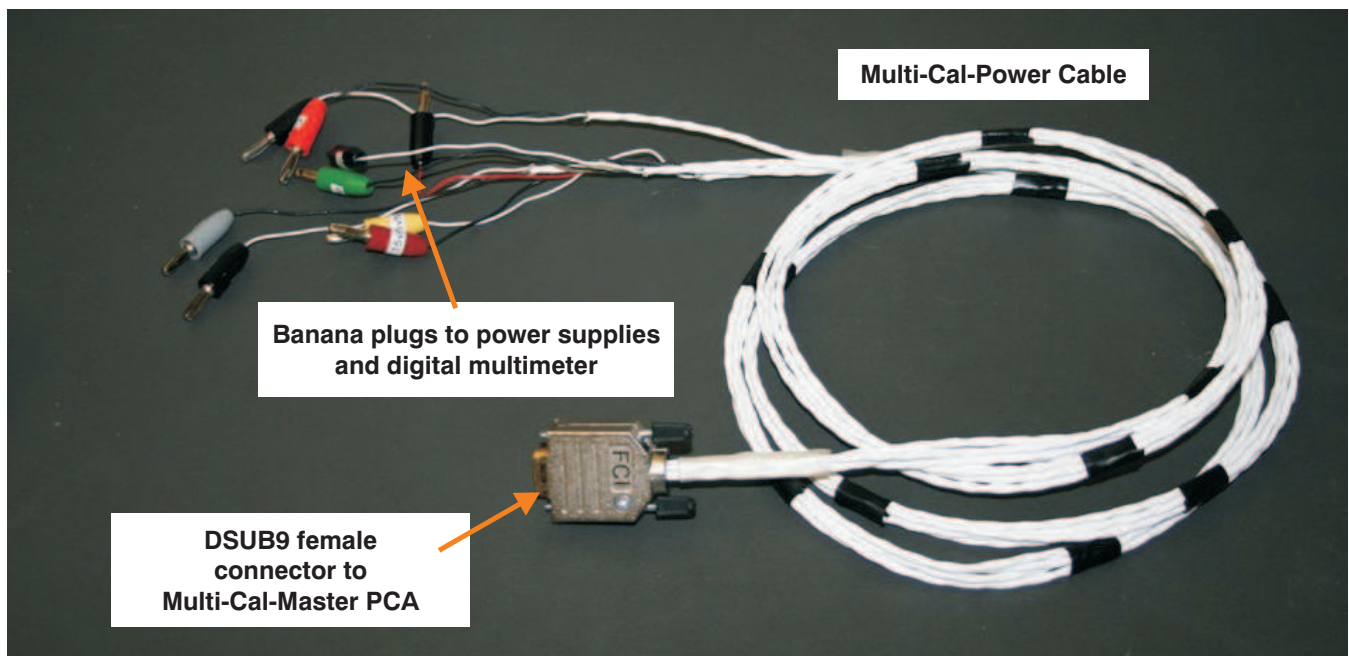


Figure 6. Multi-Cal-Power Cable

1.2 Recommended Starter System

The Multi-Cal-System *starter system* is an eight-channel system for calibrating PGA308 and PGA309 sensor modules automatically. The starter system allows you to verify that the Multi-Cal-System meets your specific application requirements. You can expand the capacity of your system later by adding slave boards. Each slave board adds another eight channels, for a maximum system capability of 64 channels (one master and seven slave boards). [Table 1](#) describes the recommended starter system and lists the quantities of each board required.

Table 1. Recommended Starter System

Quantity	Name	Comments
1	Multi-Cal-Master EVM	This basic board gives you eight channels.
2	Multi-Cal-Interface cable	You may choose to build your own cable because of cable length requirements. The construction of the cable is given in the Multi-Cal System Cable user's guide (SBOU092).
1	Multi-Cal-Power cable	You may choose to build your own cable because of cable length requirements. The construction of the cable is given in the Multi-Cal System Cable user's guide (SBOU092).
1	Multi-Cal-Interface EVM	Depending on the mechanical requirements of your specific system, you may develop your own interface board.
2	Multi-Cal-Test EVM ⁽¹⁾	Two Multi-Cal-Test EVMs allow you to check two channels. This option is typically enough for initial evaluation of the system. Eight units would allow you to fully test all eight channels of the starter system.

⁽¹⁾ The Multi-Cal-Test EVM board uses the PGA308. The equivalent PGA309 test board does not exist at the time of this writing; it is currently under development.

There are also several additional pieces of test equipment required; [Table 2](#) summarizes this equipment.

Table 2. Additional Test Equipment Required

Name	Comments
±15V Supply	This is power for the multiplexers on the Multi-Cal-Master board. This supply can range from ±12 V to ±16 V. Choose a low-noise linear supply for best performance. This supply also powers slave boards if you expand the system in the future. Keep in mind the current output capability. Current requirement for Master = 150 mA Current for each Slave = 150 mA Example: For eight channels and one master = 150 mA Example: For 64 channels (one master and seven slaves) = 8 x 150 mA = 1.2 A
Loop or DUT Power Supply	This supply can range from 5V to 40V, depending on your sensor module requirements. This power will be directly connected to the sensor modules. Choose a low-noise linear supply for best performance. Keep in mind the current output capability. All sensor modules are powered simultaneously, so multiply the number of channels by the expected device current to determine the requirements. Example: For eight current loop modules: Assume that maximum current = 25mA (overcurrent range); 8 x 25 mA = 200 mA Example: For 64 current loop modules: 64 x 25 mA = 1.6 A
Precision Digital Multimeter	Must allow for software control through RS-232 or IEEE488. Suggested instrument is the Agilent 34401A.
GPIB-USB-HS	This controller is not required if you are using RS-232 control. This item is a National Instruments IEEE488 controller. It allows you to connect your computer to the precision multimeter for automatic control.

Table 2. Additional Test Equipment Required (continued)

Name	Comments
RS-232 Cable	This cable is not required if you are using IEE488 control. This cable allows you to connect your computer to the precision multimeter for automatic control. Review the documentation for your precision DMM for more information on the RS-232 cable. This document gives a description of the cable required for the Agilent 34401A.

1.3 Related Documentation from Texas Instruments

The following document provides information regarding Texas Instruments integrated circuits used in the assembly of the Multi-Cal-System EVM. This user's guide is available from the TI website under literature number [SBOU087](#). Any letter appended to the literature number corresponds to the document revision that is current at the time of the writing of this document. Newer revisions may be available from the TI web site at <http://www.ti.com/>, or call the Texas Instruments Literature Response Center at (800) 477-8924 or the Product Information Center at (972) 644-5580. When ordering, identify the document by both title and literature number.

Document	Literature Number
PGA308 Product Data Sheet	SBOS440
USB DAQ Platform Users Guide	SBOU056
Multi-Cal-Test EVM User's Guide	SBOU088
Multi-Cal-Master EVM User's Guide	SBOU089
Multi-Cal-System Cable User's Guide	SBOU092
Multi-Cal-Slave EVM User's Guide	SBOU094
Multi-Cal-Interface User's Guide	SBOU093

1.4 Information About Cautions and Warnings

This document contains caution statements.

CAUTION
This is an example of a caution statement. A caution statement describes a situation that could potentially damage your software or equipment.

The information in a caution or a warning is provided for your protection. Please read each caution carefully.

1.5 Applications Questions

If you have questions about this or other Texas Instruments evaluation modules, post a question in the *Amplifiers* forum at <http://e2e.ti.com>. Include in the subject heading the product in which you are interested.

2 Starter System Setup

Figure 7 shows the system setup for the Multi-Cal-System EVM. The PC runs software that communicates with the USB-DAQ-Platform. The USB-DAQ-Platform generates the digital signals used to communicate with the Multi-Cal-System EVM.

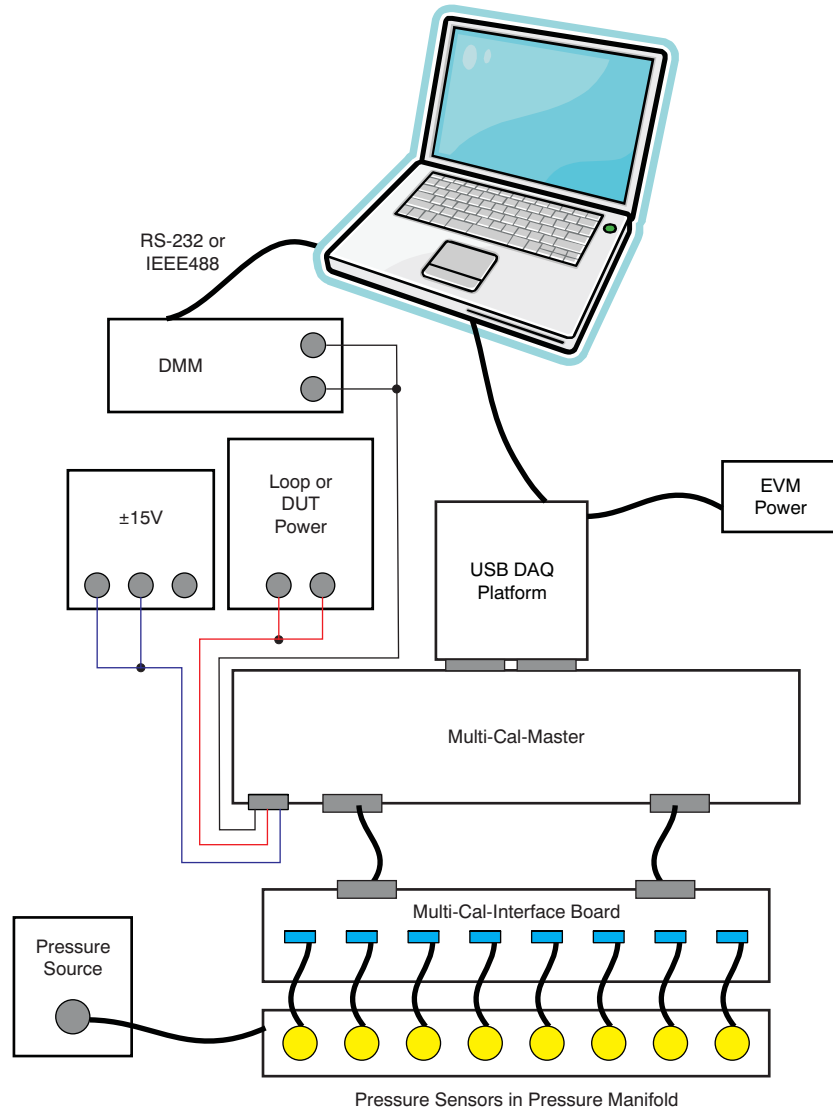


Figure 7. Multi-Cal-System EVM Hardware Setup

2.1 Electrostatic Discharge Warning

Many of the components on the Multi-Cal-System EVM are susceptible to damage by electrostatic discharge (ESD). Customers are advised to observe proper ESD handling precautions when unpacking and handling the EVM, including the use of a grounded wrist strap at an approved ESD workstation.

CAUTION

Failure to observe ESD handling procedures may result in damage to EVM components.

2.2 Multi-Cal-System Hardware Setup for Recommended Starter Kit

Figure 8 shows how to connect the Multi-Cal-Master board to the USB DAQ Platform board. The best (and easiest) way to connect the two components is to gently push on both sides of the DSUB connectors. Make sure that the two connectors are completely pushed together; loose connections may cause intermittent EVM operation.

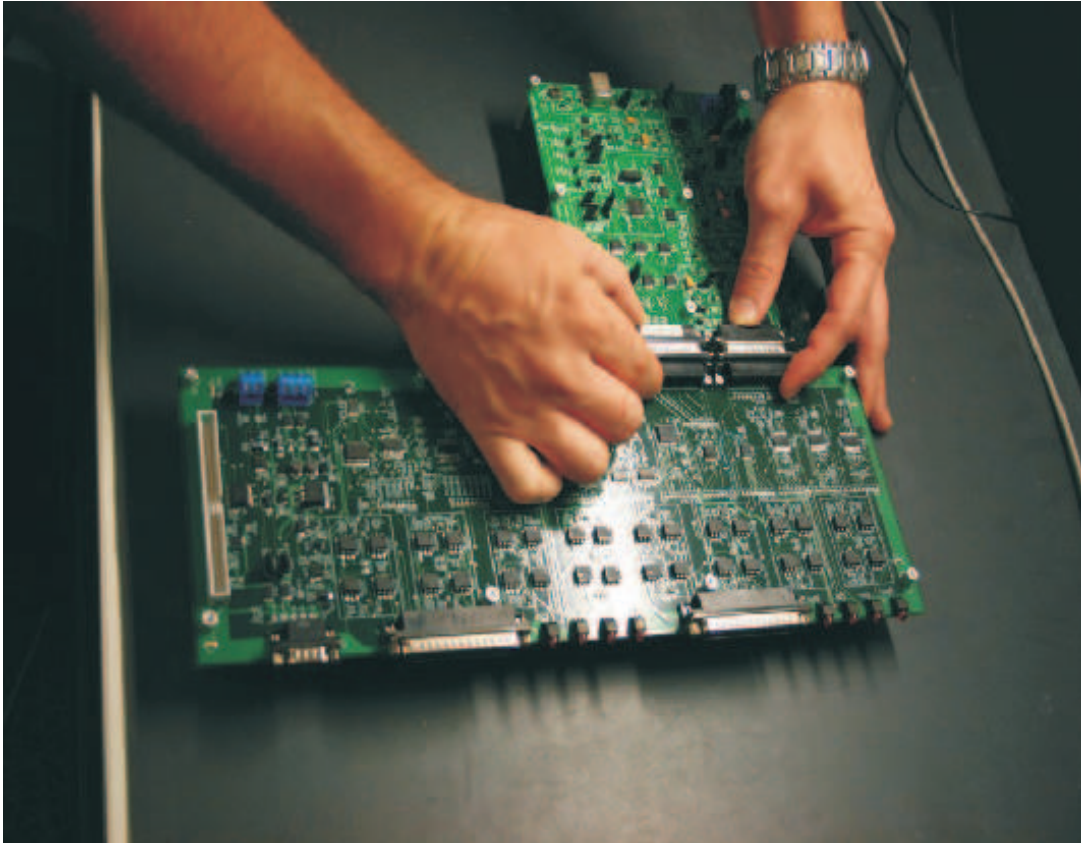


Figure 8. Connect Multi-Cal-Master PCA to USB DAQ Platform

Figure 9 illustrates how to connect the Multi-Cal-Interface cable to the Multi-Cal-Master PCA card. It is important to make sure that the connector is not angled or crooked, and that the screws are fully tightened. Improperly seated connectors are a common cause of intermittent unit failure.

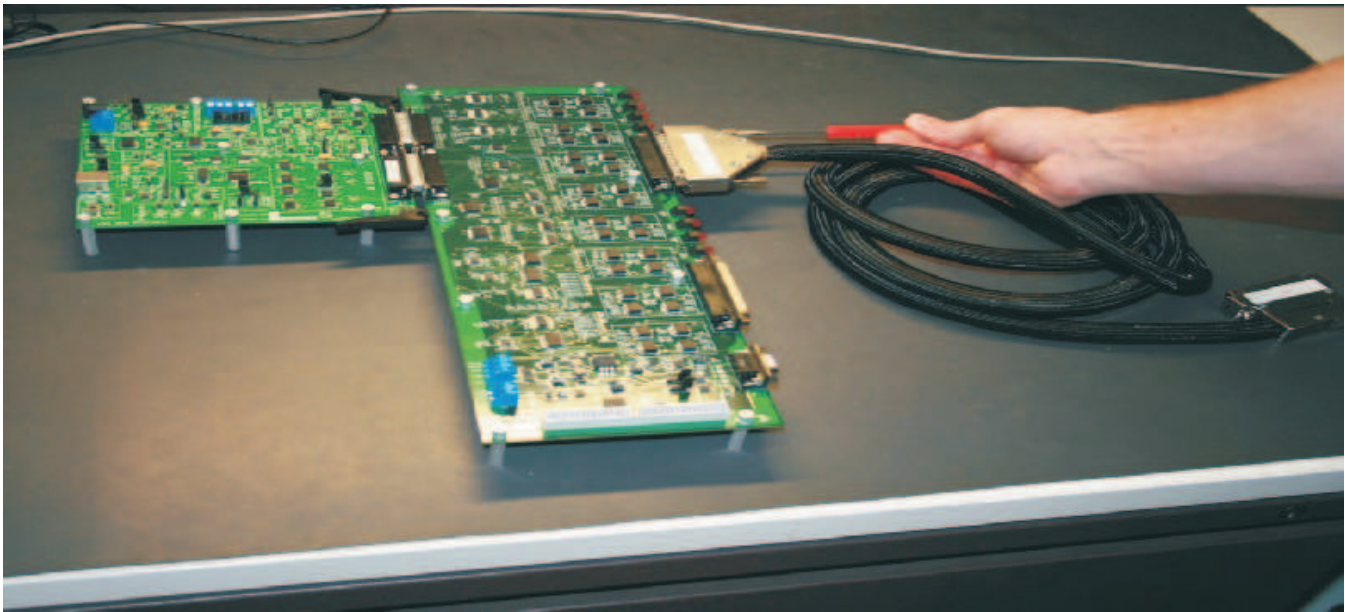


Figure 9. Connect Multi-Cal-Interface Cable to Multi-Cal-Master PCA Card

Figure 10 shows how the Multi-Cal-Interface cable connects to the Multi-Cal-Interface PCA. Again, it is important to make sure that the connector is not misaligned or crooked, and that the screws are fully tightened. Improperly seated connectors are a common cause of intermittent device failure. Make sure that you connect J1 of the Multi-Cal-Master PCA card to P1 of the Multi-Cal-Interface PCA card. When this step is complete, repeat the process for the other connector (J0 and P0). It is a good idea to attach labels to the cable connectors to indicate which connector it is associated with.

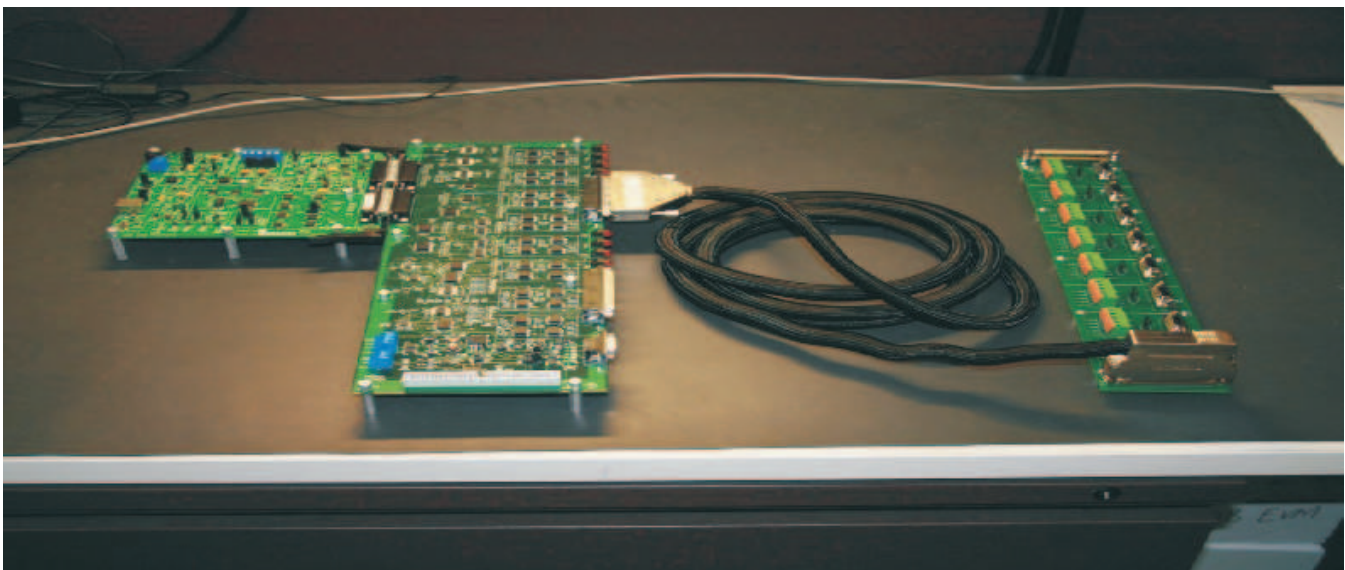


Figure 10. Connect Multi-Cal-Interface Cable to Multi-Cal-Interface PCA Card

Figure 11 shows the jumper setup on Multi-Cal-Interface PCA. The Multi-Cal-Interface PCA has eight jumpers that allow you to choose between current mode sensor modules (for example, 4 mA to 20 mA) and voltage mode sensor modules (such as 0-V to 5-V output). Place all jumpers in the V position for voltage mode; alternatively, place all jumpers in the I position for current mode.

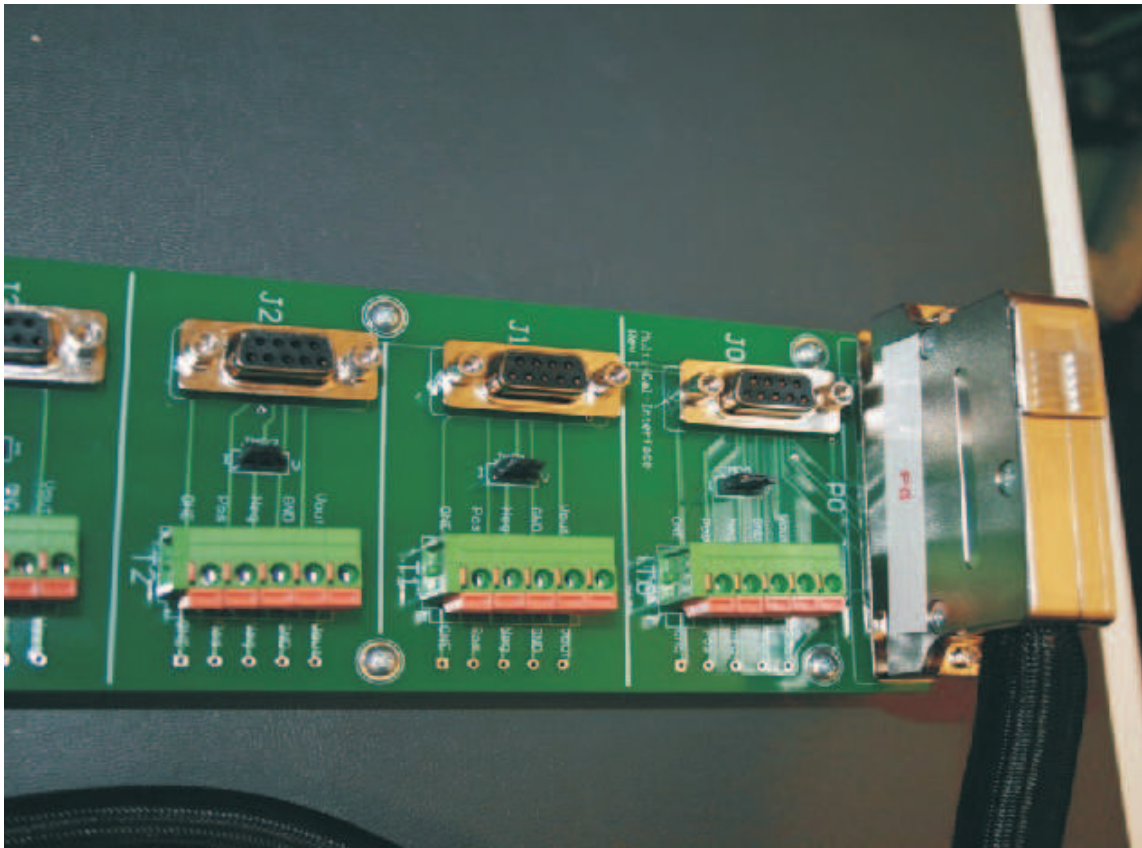


Figure 11. Jumpers on Multi-Cal-Interface PCA Card

Figure 12 illustrates the jumper setup on Multi-Cal-Test PCA card. The Multi-Cal-Test PCA has seven jumpers that allow you to choose between three different modes of operation (current output, four-wire voltage output, and three-wire voltage output). The Multi-Cal-Test PCA card also has two banks of jumpers that select the *sensor-emulator* output on the test board.

SensorEmulator switch (SW1).
Selects between High bank and Low bank. Here, Low bank is selected.

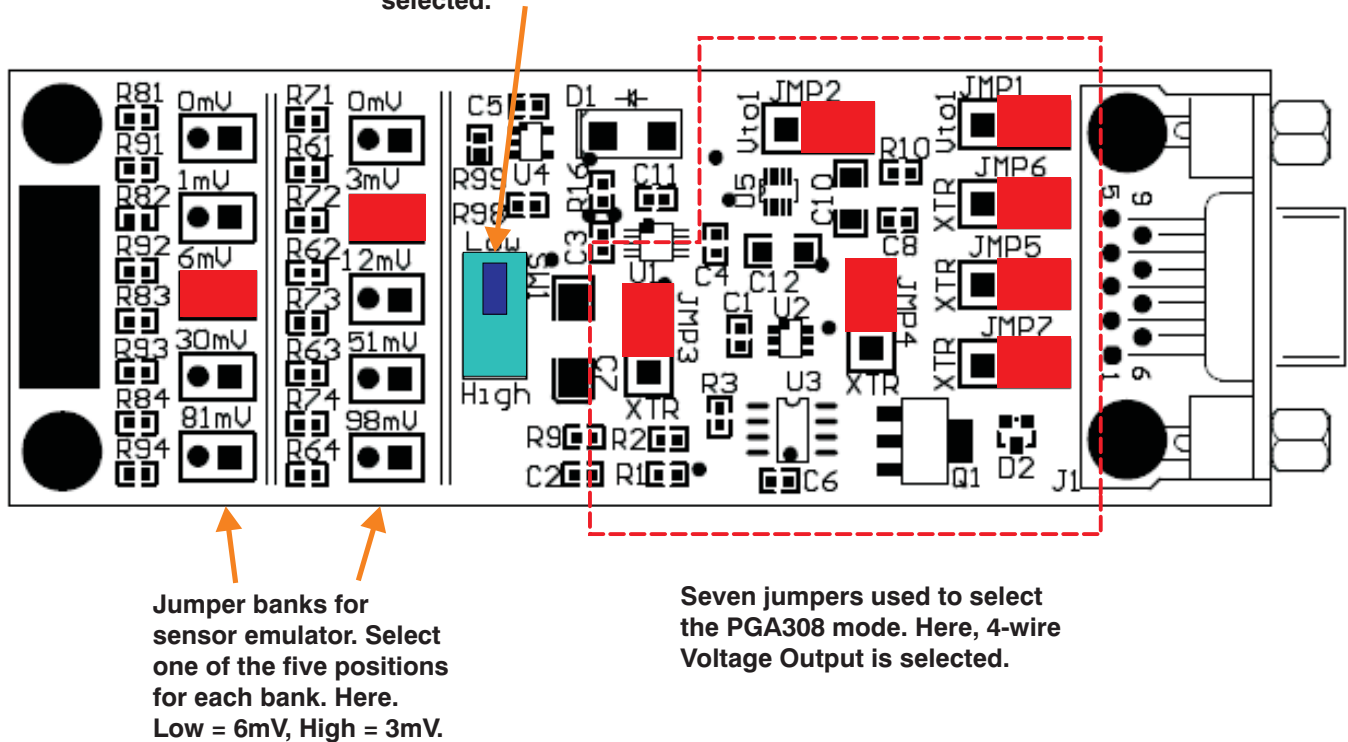


Figure 12. Jumpers on Multi-Cal-Test PCA Card

Table 3 and Table 4 explain how to set the jumpers on the Multi-Cal-Test PCA and the respective jumper functions. The test board allows all for the operation of the three modes of the PGA308 device. The test board also has a jumper-selected sensor-emulator. The sensor-emulator creates an input signal for the PGA308 so that you can perform an example calibration.

Table 3. Mode Jumpers on the Multi-Cal-Test PCA

Mode	Jumper Positions
Current Output	JMP1 = Position without label JMP2 = Position without label JMP3 = XTR JMP4 = XTR JMP5 = XTR JMP6 = XTR JMP7 = XTR
4-Wire Voltage Output	JMP1 = Position without label JMP2 = Position without label JMP3 = Position without label JMP4 = Position without label JMP5 = Position without label JMP6 = Position without label JMP7 = Position without label

Table 3. Mode Jumpers on the Multi-Cal-Test PCA (continued)

Mode	Jumper Positions
3-Wire Voltage Output	JMP1 = Vto1 JMP2 = Vto1 JMP3 = Position without label JMP4 = Position without label JMP5 = Position without label JMP6 = Position without label JMP7 = Position without label

Table 4. Jumper Bank Functions on the Multi-Cal-Test PCA

Jumper Banks	Function
HIGH1 = 0 mV HIGH2 = 3 mV HIGH3 = 12 mV HIGH4 = 51 mV HIGH5 = 98 mV	Place the jumper shorting unit on one of these five positions. This jumper bank determines the sensor-emulator output when the switch (SW1) is in the HIGH position. The output of the sensor emulator is the input to the PGA308. For example, when the shorting unit is in the <i>HIGH2</i> position, the PGA308 input signal is 3 mV.
LOW1 = 0 mV LOW2 = 1 mV LOW3 = 6 mV LOW4 = 30 mV LOW5 = 81 mV	Place the jumper shorting unit on one of these five positions. This jumper bank determines the sensor-emulator output when the switch (SW1) is in the LOW position. The output of the sensor emulator is the input to the PGA308. For example, when the shorting unit is in the <i>LOW3</i> position, the PGA308 input signal is 6 mV.

Figure 13 shows how to connect the Multi-Cal-Test PCA to the Multi-Cal-Interface PCA. The Multi-Cal-Test PCA demonstrates the capability of the Multi-Cal-System. You can test the accuracy and repeatability of programmed modules using the Multi-Cal-Test PCA. The Multi-Cal-Test PCA is also helpful in learning how to use the system. Another purpose for the Multi-Cal-Test PCA is to verify that your system is fully functional before testing your product.

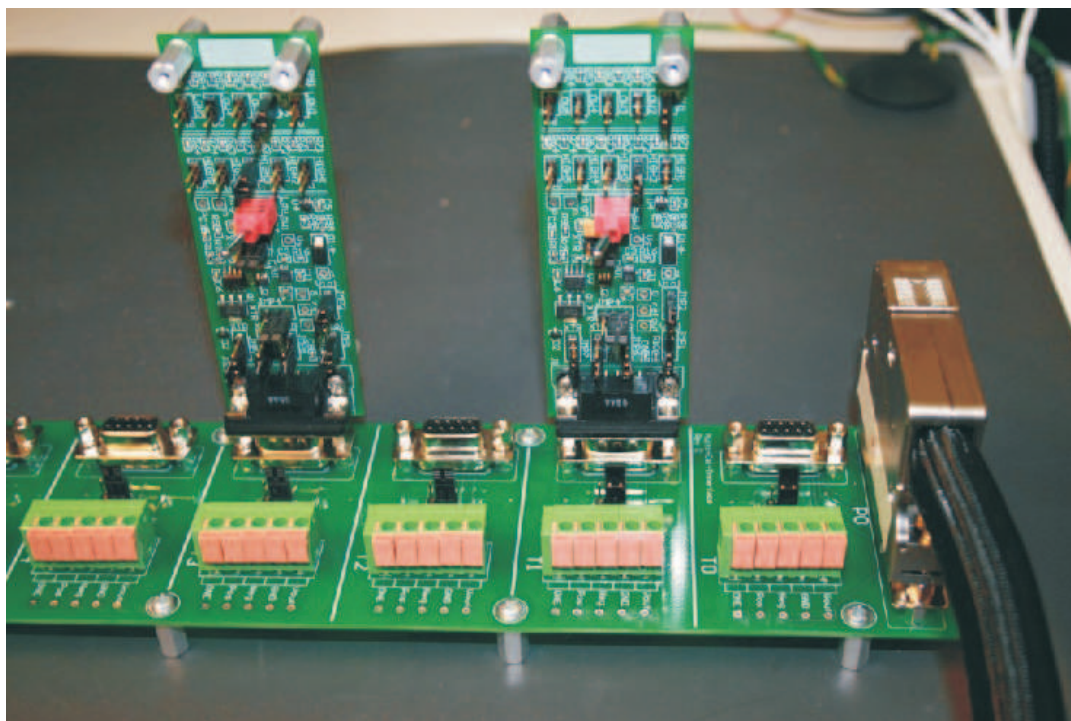


Figure 13. Connect Multi-Cal-Test PCA Card to Multi-Cal-Interface PCA Card

Figure 14 shows how to connect the Multi-Cal-Power cable to the Multi-Cal-Master PCA card. Make sure that the cable is properly seated and fully screwed in.

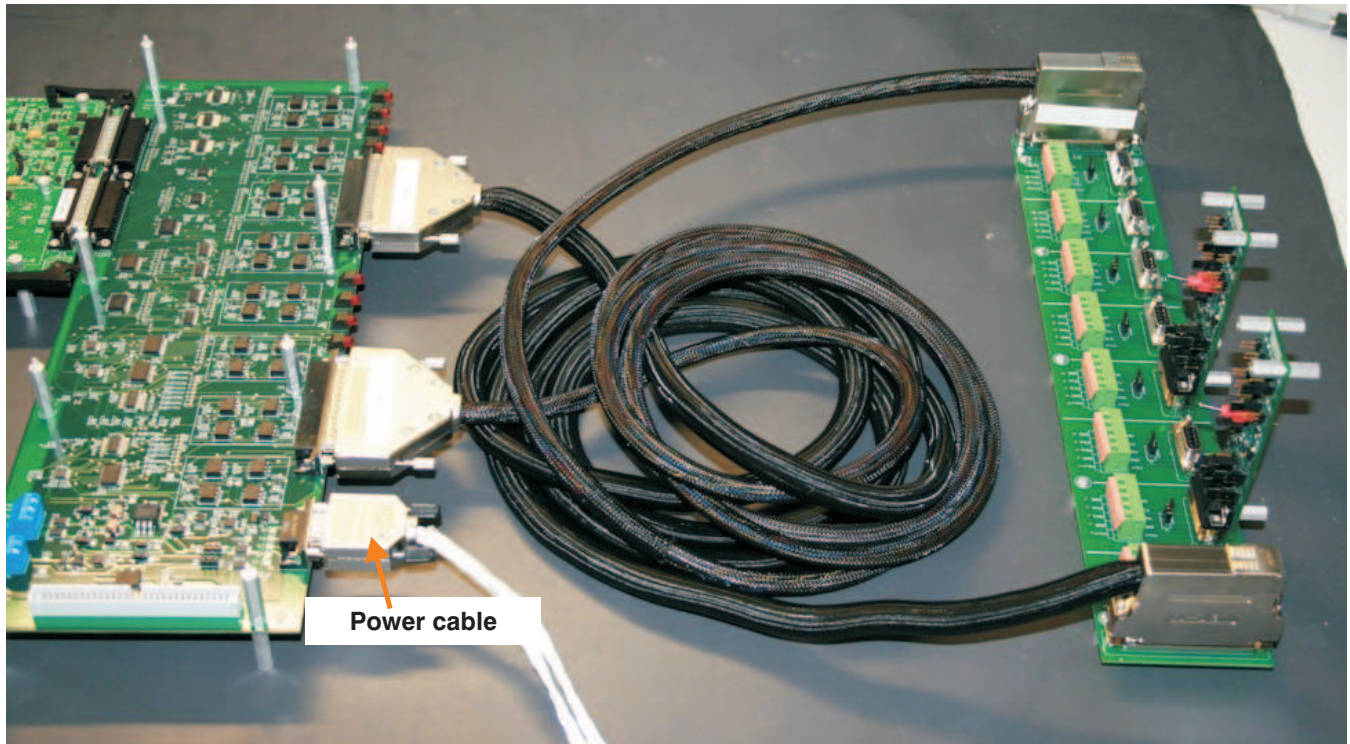


Figure 14. Connect Multi-Cal-Power Cable to Multi-Cal-Master PCA Card

Figure 15 shows how to connect the Multi-Cal-Power cable to power supplies and to the DMM. This connection is for current loop output sensor modules. Refer to Table 3 for an illustration of how to set the jumpers on the Multi-Cal-Test PCA for current loop configuration.

NOTE: It is very important that the device power supply is floating. In other words, the negative terminal on the device power supply is not connected to GND on the ± 15 -V supply. Also, this supply should not be referenced to earth ground.

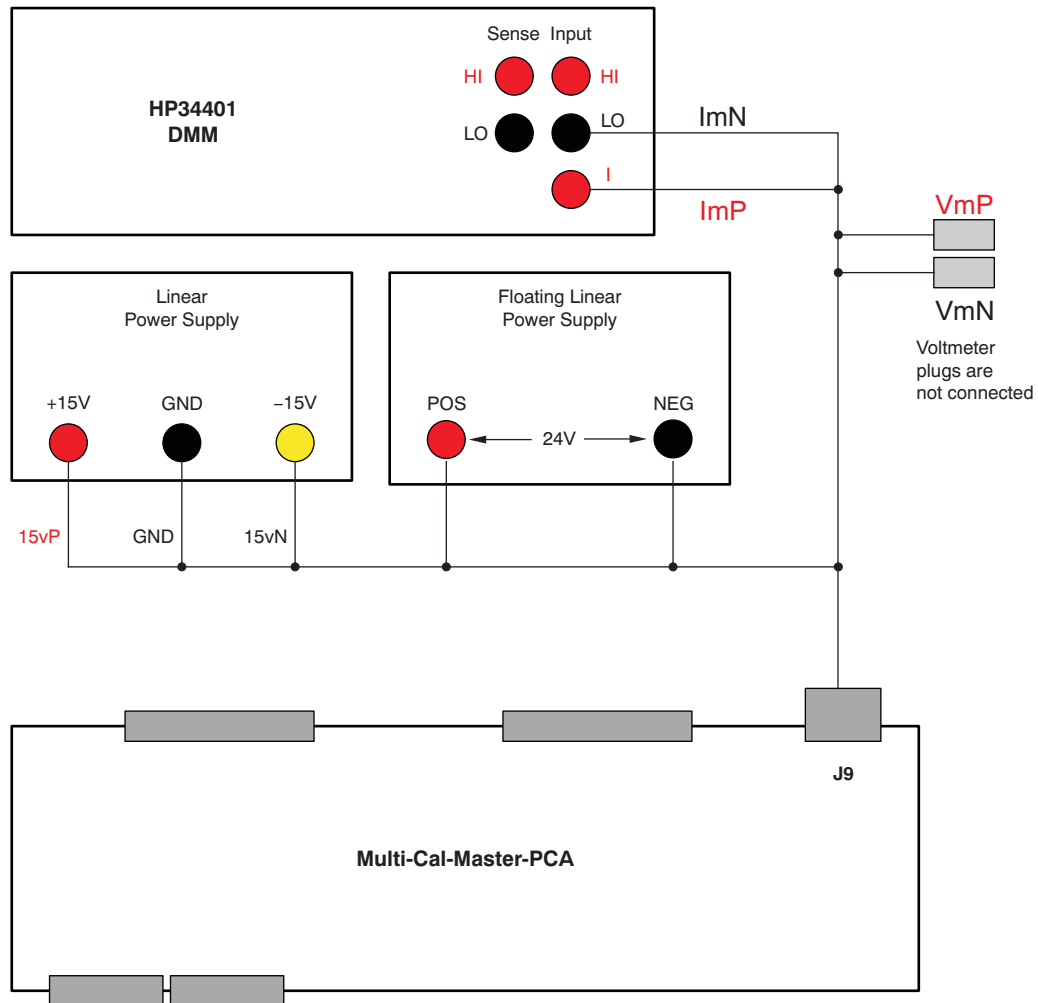


Figure 15. Connect Multi-Cal-Power Cable to Power Supplies (Current Loop Output)

Figure 16 shows how to connect the Multi-Cal-Power cable to power supplies and to the DMM. This connection is for voltage output modules (that is, three-wire and four-wire connections). See Table 3 for information on how to set the jumpers on the Multi-Cal-Test PCA for current loop configuration.

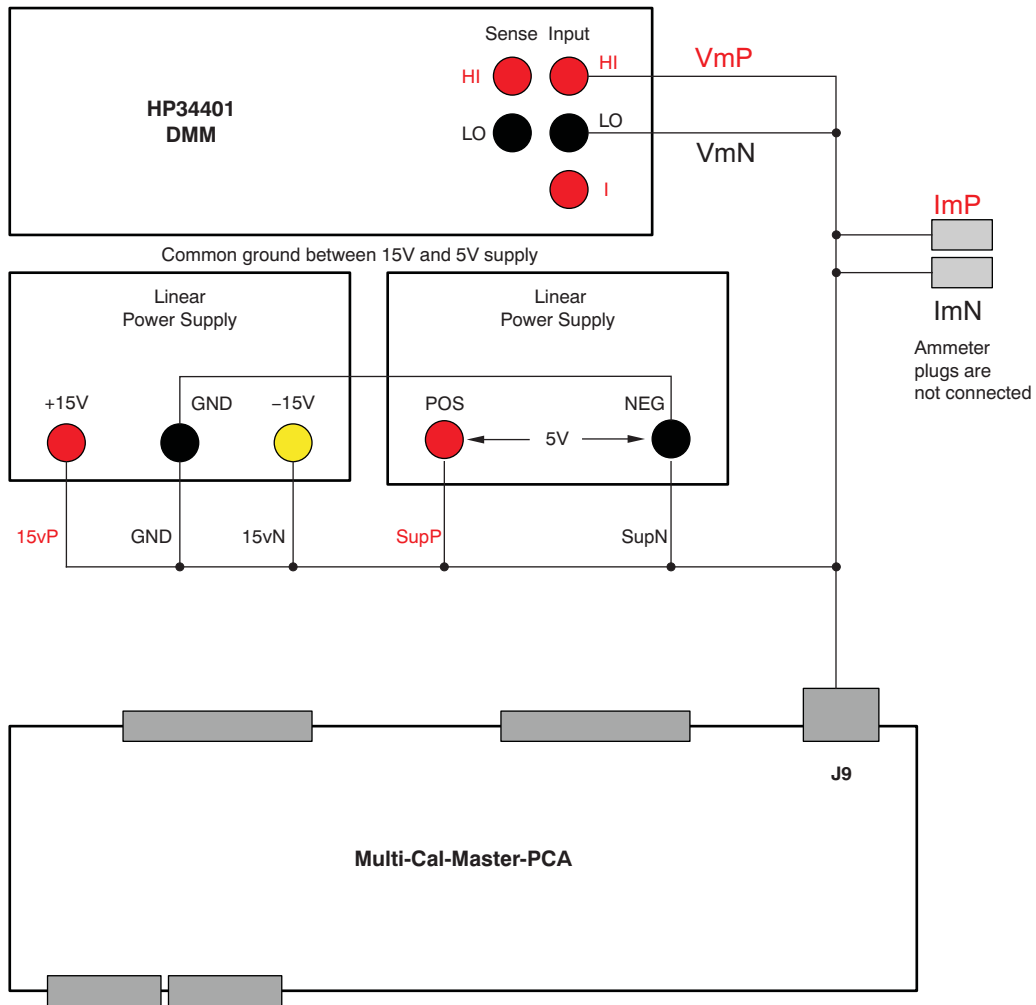


Figure 16. Connect Multi-Cal-Power-Cable to Power Supplies (Voltage Output)

Figure 17 shows a photograph of typical power supply and DMM connections. It is recommended to tie back the two banana jacks that are not connected.

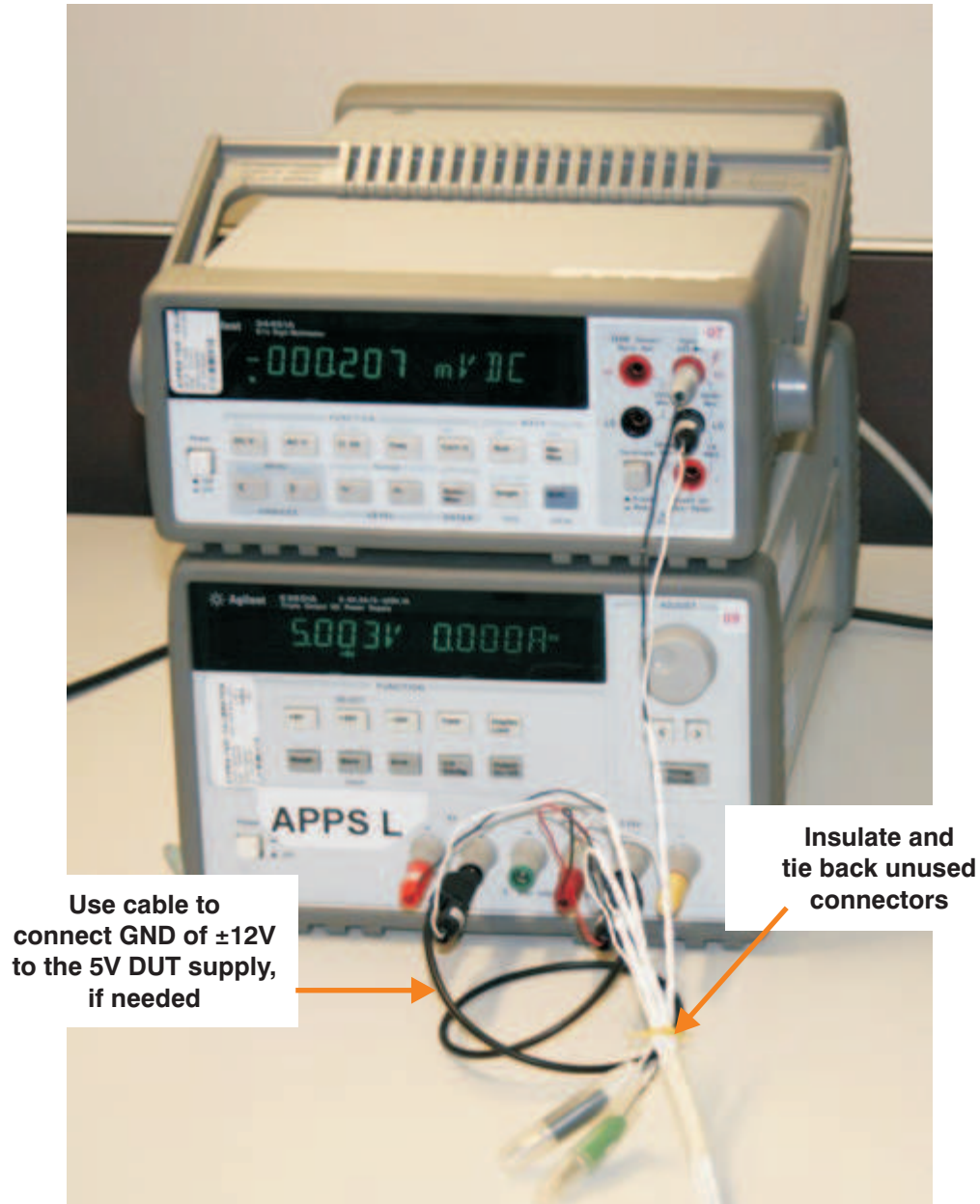


Figure 17. Typical Instrument Connection

Figure 18 shows connection to the serial port of the DMM for communication. This connection is used in order to have remote control of the instrument. The other end of the cable is connected to the serial port on your computer. In order to use this capability, you must set the DMM to RS-232 mode. An optional way to communicate with the DMM is via the IEEE488 card.

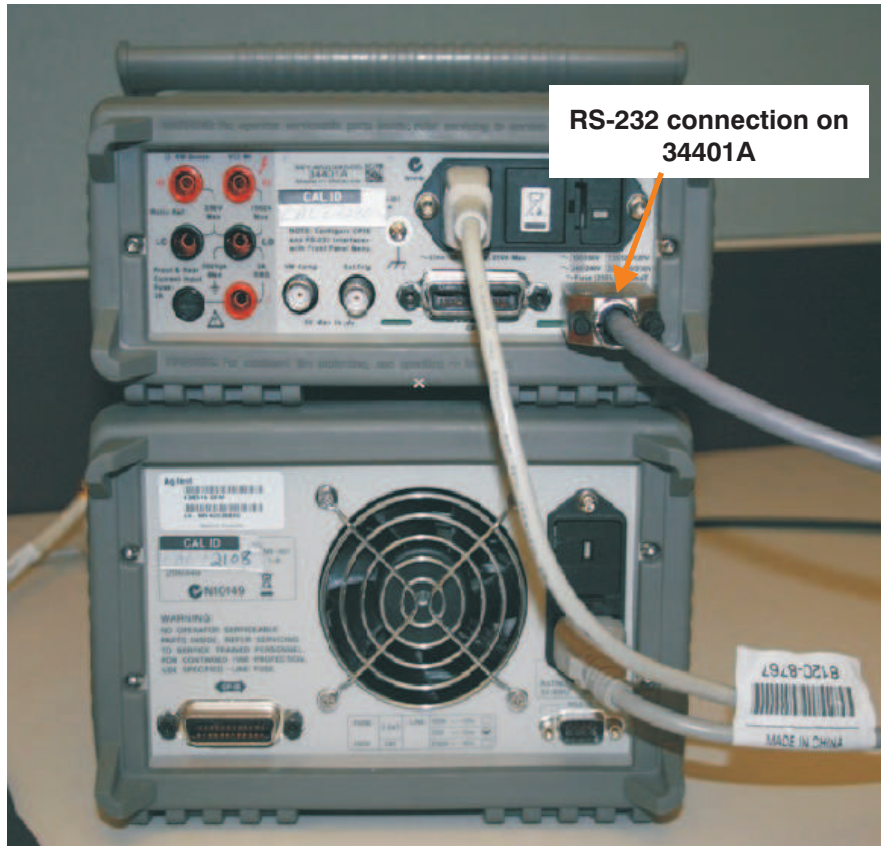


Figure 18. Connect Serial Port to DMM

Figure 19 shows how to connect the IEEE488 to the DMM. The software for the Multi-Cal-System requires the National Instruments GPIB-USB-HS. This option is also used for remote control of the instrument. In order to use this capability, you must set the DMM to IEEE488 mode, and set the address according to the control script (default = 3). An optional way to communicate with the DMM is through the RS-232 port on your computer.

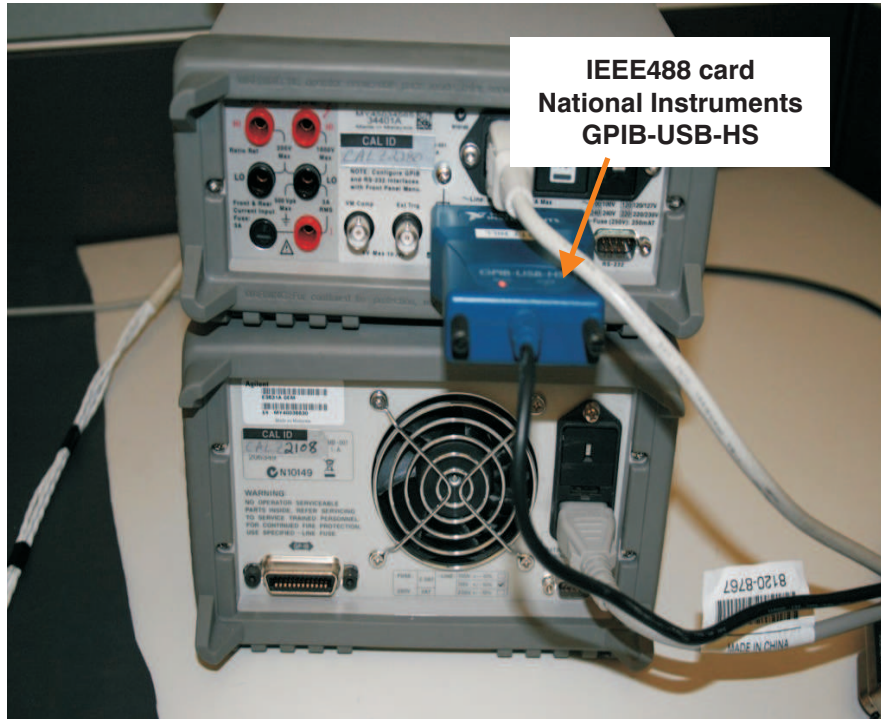


Figure 19. Connect IEEE488 to DMM

Figure 20 shows the connection of the 9-V power supply to the USB DAQ Platform. When you connect power, three LEDs on the USB DAQ Platform illuminate. If the LEDs do not illuminate, check the power connections.

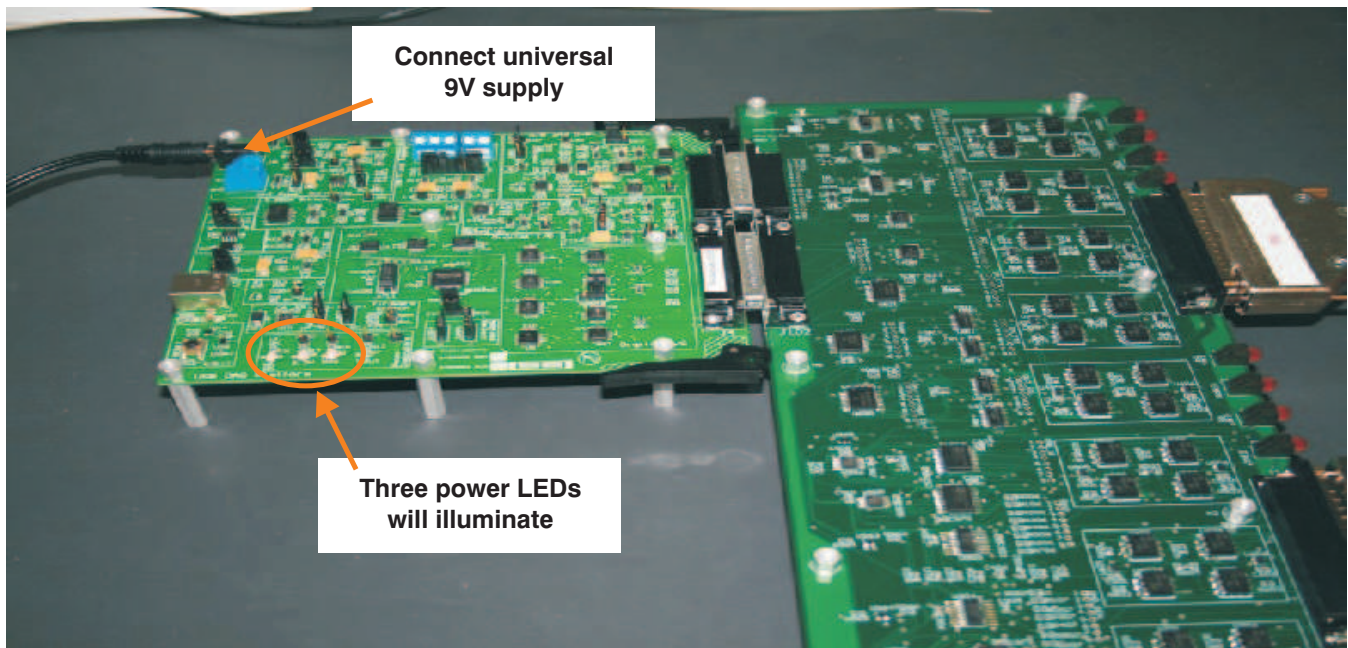


Figure 20. Universal 9-V Supply to USB DAQ Platform

Figure 21 shows the connection of the USB cable to the USB DAQ Platform. When you make this connection, it is recommended that you first turn your computer sound on. When the cable is plugged in, you should hear the distinctive Microsoft® Windows® sound that indicates a new USB device was recognized. The USB DAQ Platform uses the HID drivers included in the Windows operating system. In some cases, Windows may display messages the first time the EVM is plugged in (as shown here).

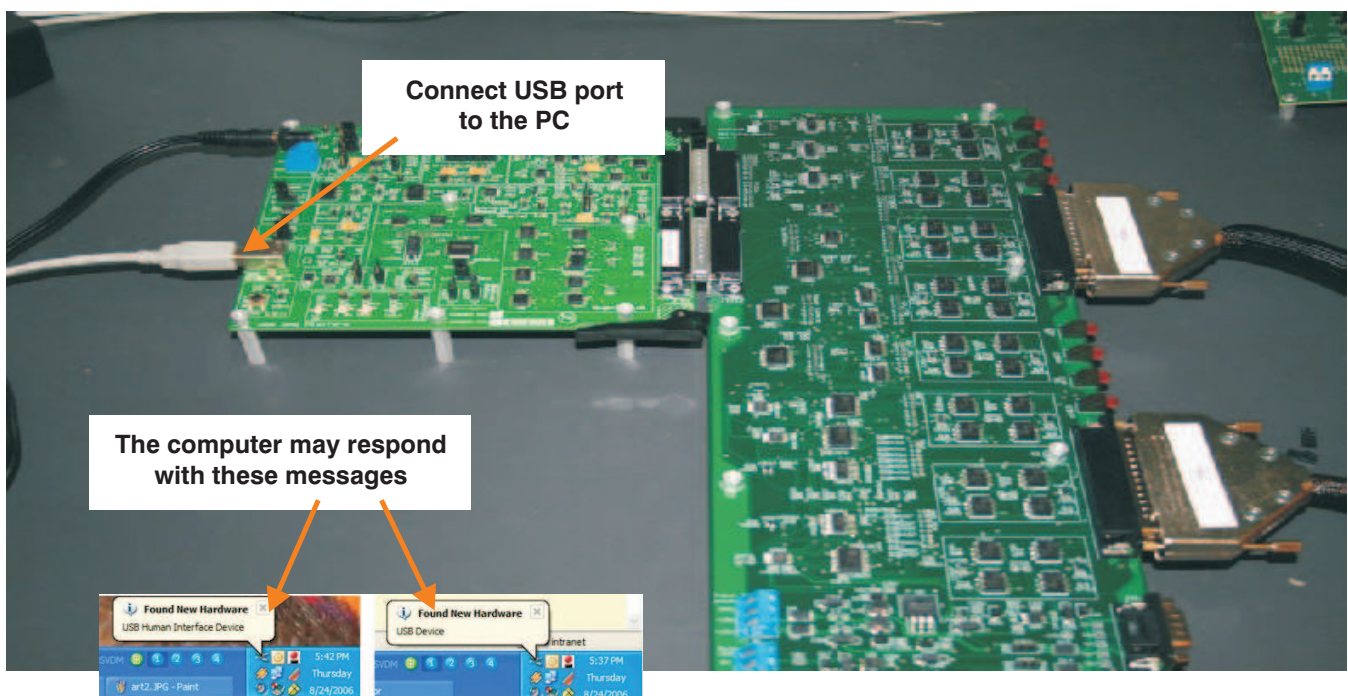


Figure 21. Connect USB Cable to USB DAQ Platform

Figure 22 shows the complete Multi-Cal-System setup. At this point, the system is fully connected and you are ready to run the software.

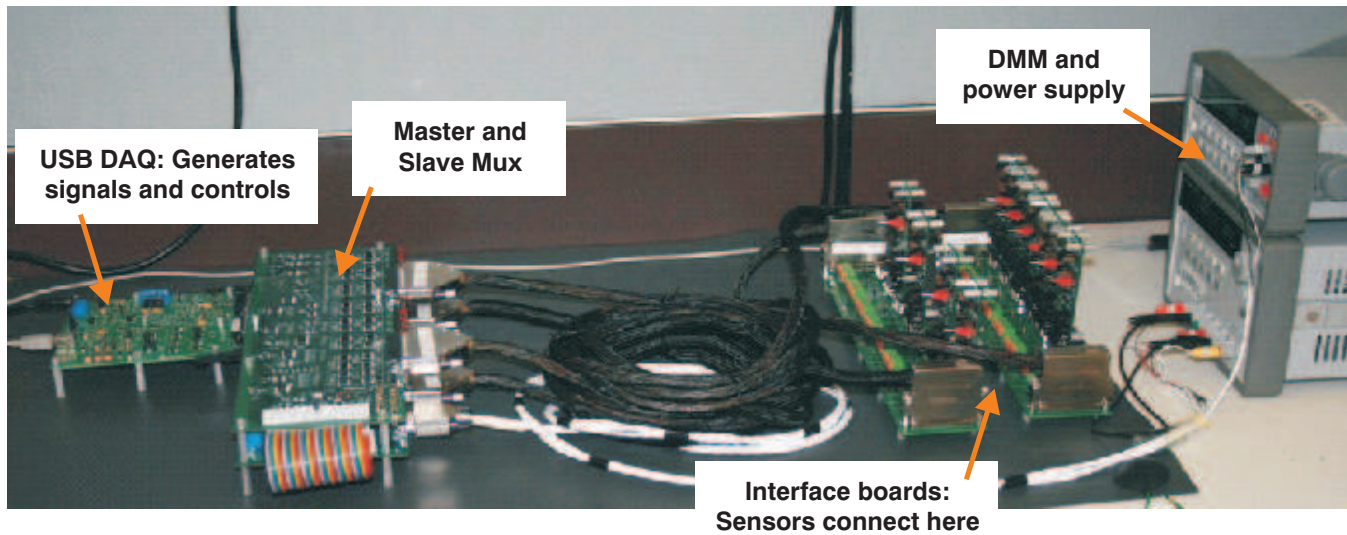


Figure 22. Complete System Setup

3 Expanding the System Size

The Multi-Cal-System can be expanded by adding Multi-Cal-Slave boards. Each Multi-Cal-Slave board adds eight additional channels. The maximum system size is 64 channels (one master and seven slaves). The first step in expanding the system size is to remove the 0.25-inch standoffs and replace them with 1.25-inch standoffs; this step is shown in Figure 23.

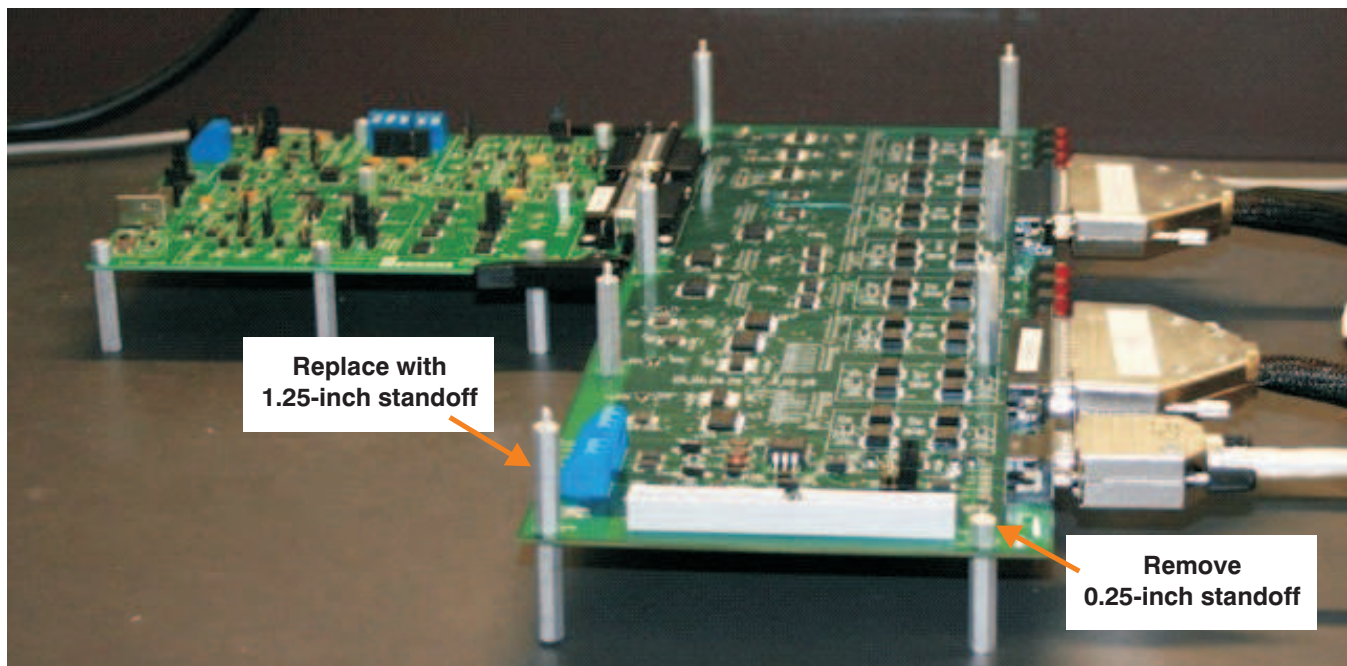


Figure 23. Replace Standoffs

The next step in expanding the physical system size is to connect the slave ribbon cable to the master; this step is illustrated in [Figure 24](#). Make sure to match the key on the ribbon cable with the notch in the connector.

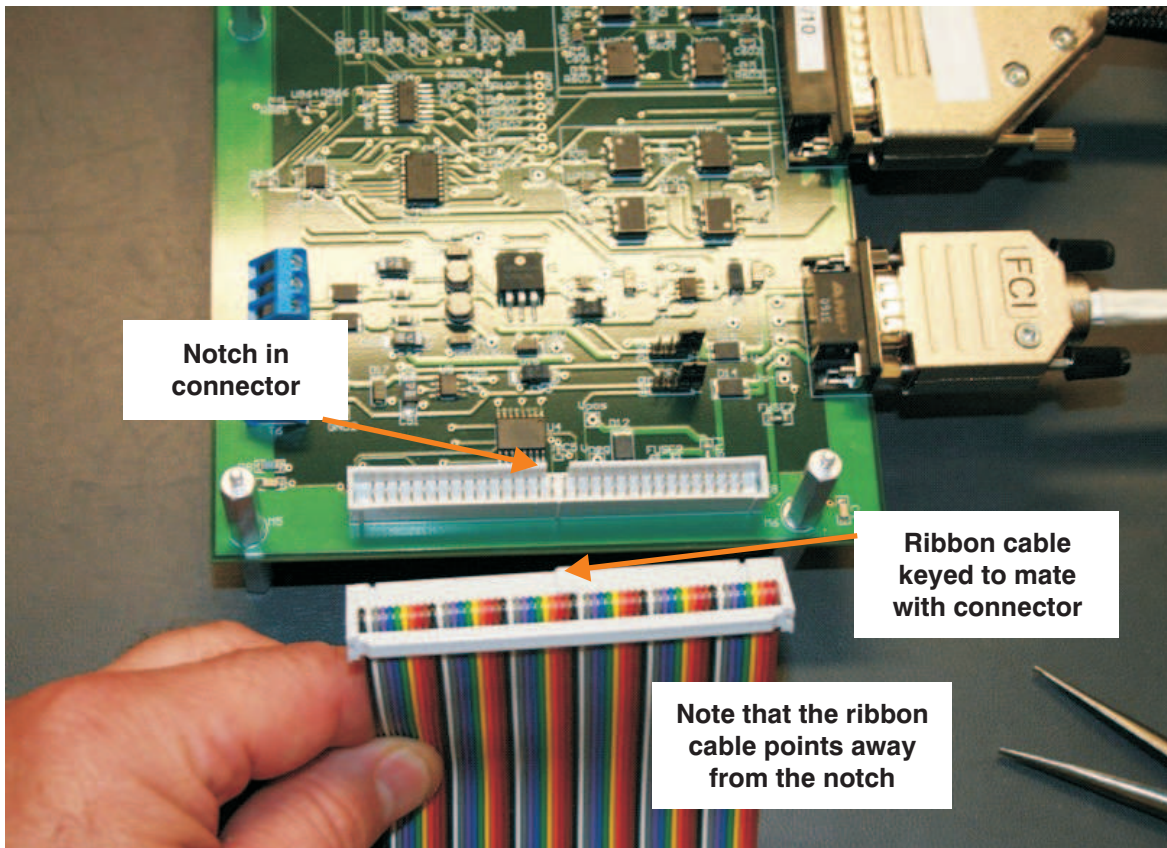


Figure 24. Connect the Ribbon Cable to the Master

Now connect the slave ribbon cable to the slave. Make sure to match the key on the ribbon cable with the notch in the connector, as [Figure 25](#) shows. Note that the cable loop is outside of the master and slave boards.

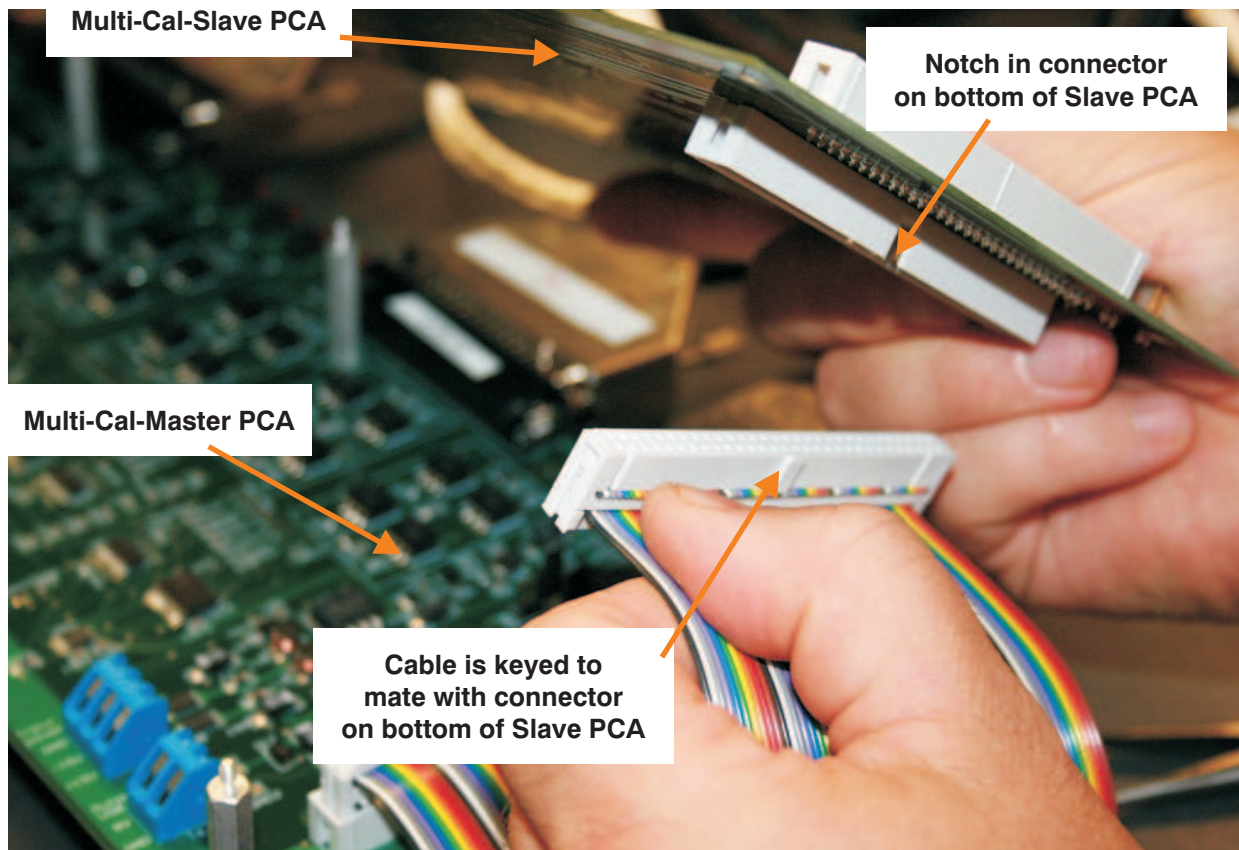


Figure 25. Connect Slave Ribbon Cable to Slave

Secure the Multi-Cal-Slave on top of the Multi-Cal- Master, as [Figure 26](#) illustrates. Use the 0.25-inch standoffs to fasten the slave on top.

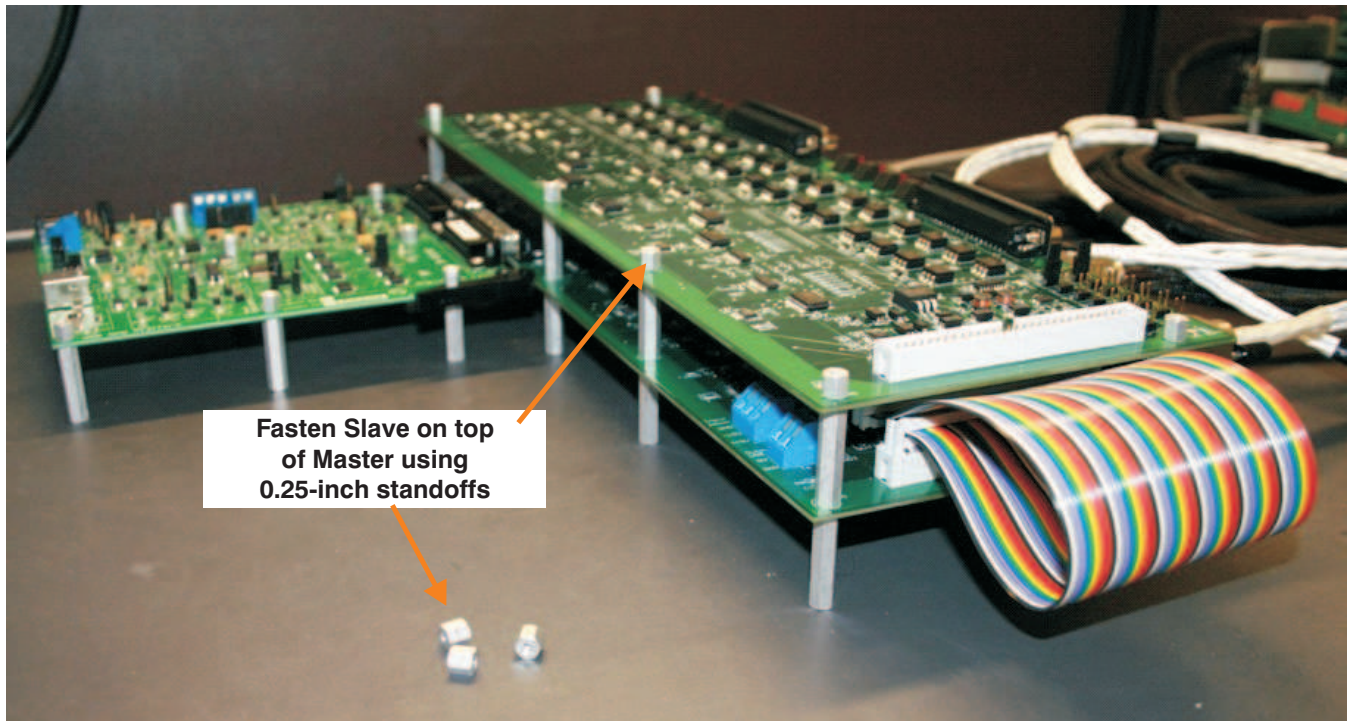


Figure 26. Secure Slave to Master

Figure 27 shows the connection of the cables to the slave board. Make sure the cable is properly seated and fully screwed down. Each slave board will have two interface cables. Each interface cable has four channels.

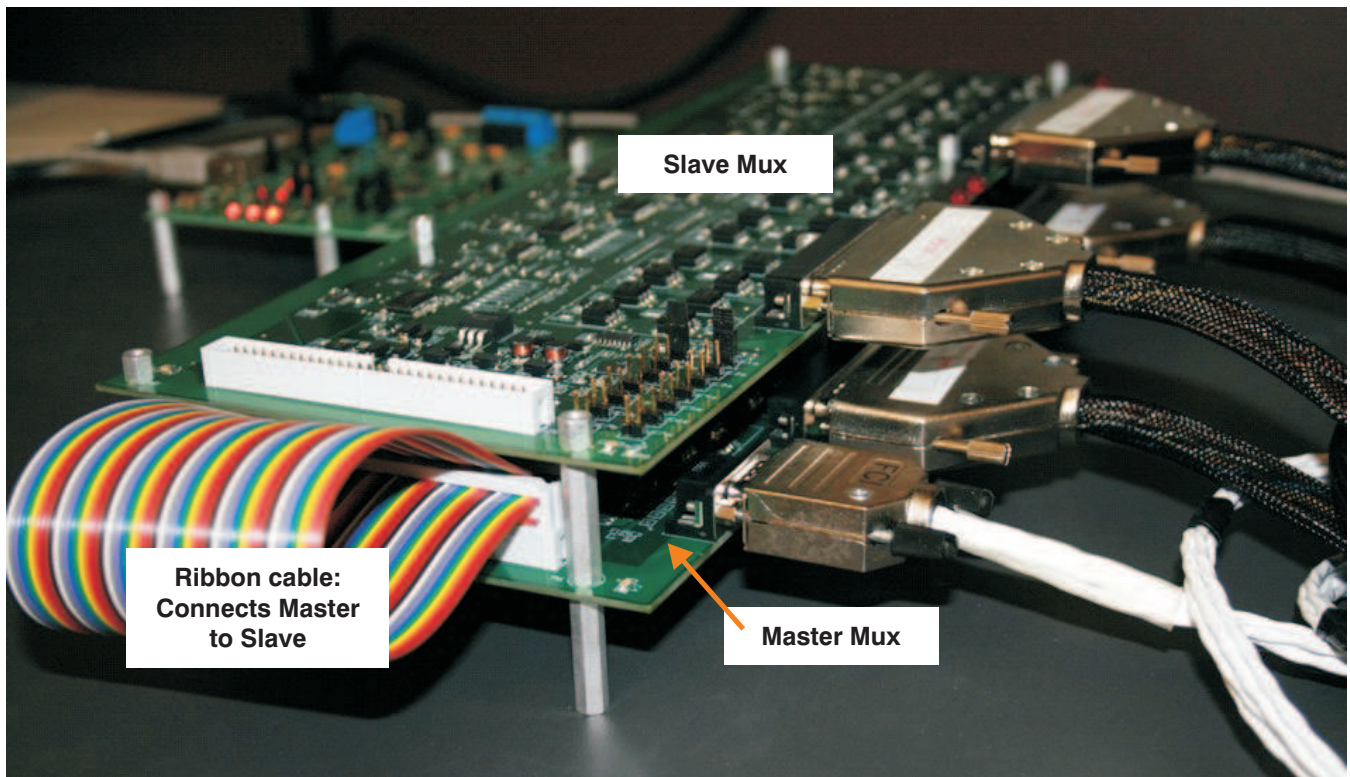


Figure 27. Cable Connections to Slave Board

Figure 28 shows the jumpers on the Multi-Cal-Slave board that identify the board location. The jumpers on each slave board must be in a unique position. For the first slave board connected, set the jumpers in the *Slave1a* and *Slave1b* position. As you add additional boards, increment the jumper position. For example, on the second board connected, use the *Slave2a* and *Slave2b* position.

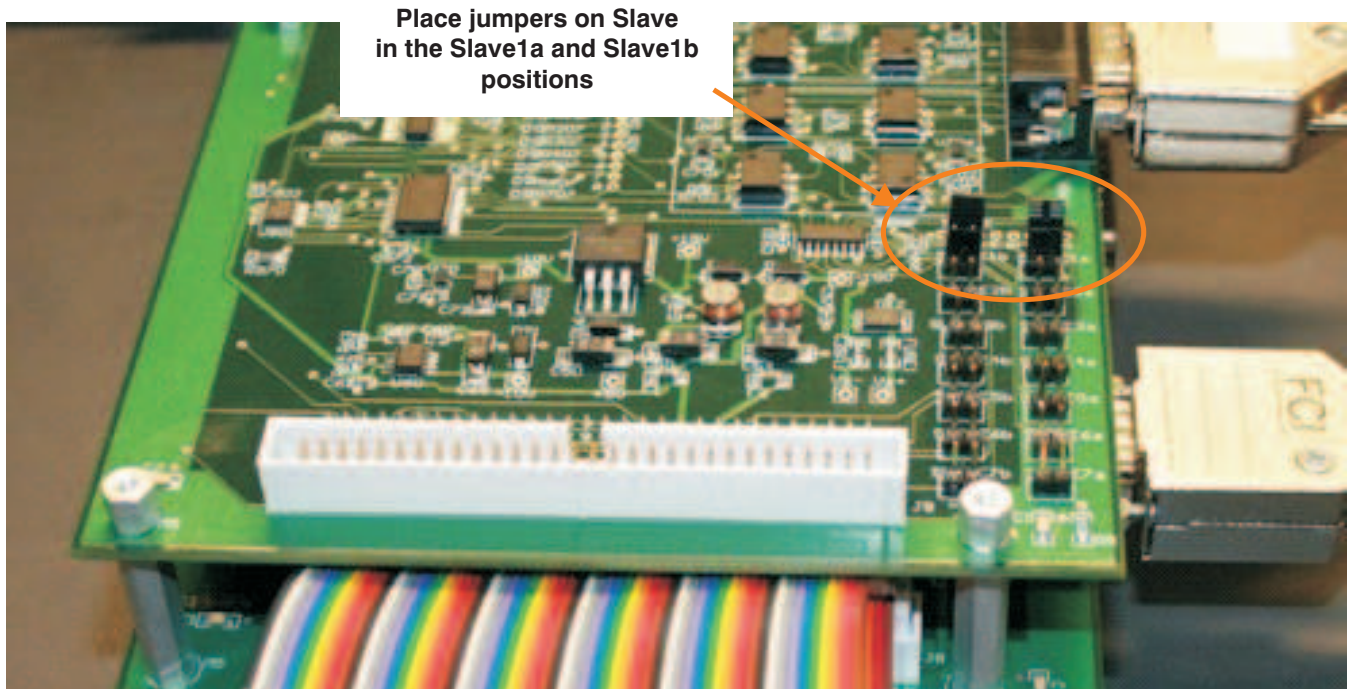


Figure 28. Jumper Locations and Positions for Expanding System Size

The final step to expanding the system is to connect the interface-cables from the slave to an interface board. Figure 29 shows the complete system connection for a 16-channel system (that is, one master and one slave).

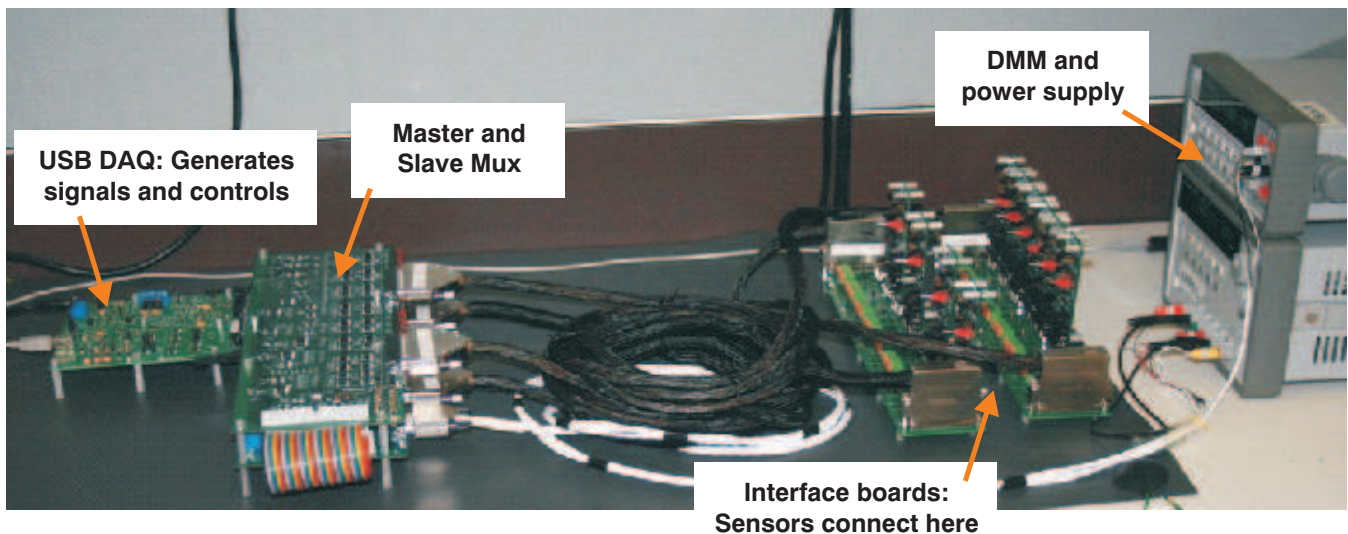


Figure 29. Complete Expanded System

4 Troubleshooting Tips

The most common issues that can occur with the Multi-Cal-System are communication problems. [Figure 30](#) shows the message that occurs if you have a communications problem. If you get this message, use the Windows Device Manager to check the status of the USB-DIG-Platform.

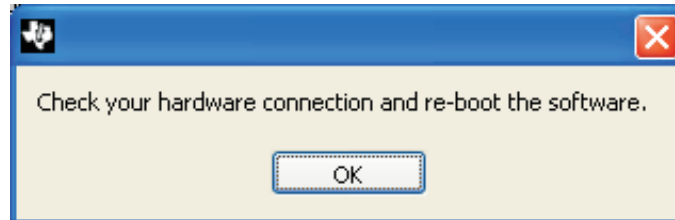


Figure 30. Communications Error Message

[Figure 31](#) shows the Windows Device Manager and the active connection for a USB-driven human interface device. When you plug and unplug the USB cable, you can see the device appear and disappear from the list. Select your device and review the details. It should show up as a *Human Interface Device* with PID = 2F90, 2F91, 2F92, or 2F93. If it appears as a good USB device, but is not a human interface device, then the firmware was not programmed properly.

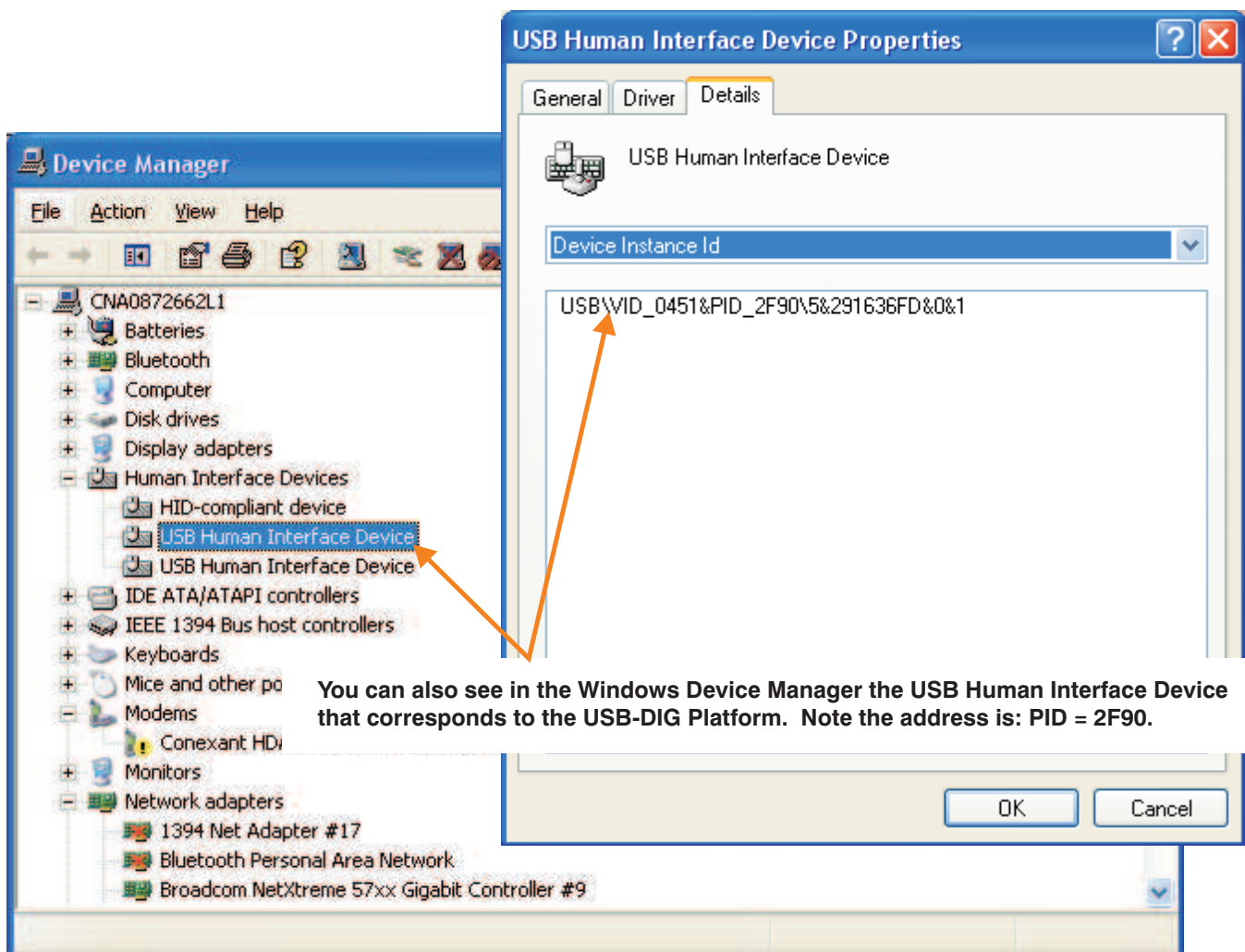


Figure 31. Windows Device Manager: Active Human Interface Device Connection

5 Bill of Materials

Table 5 shows the parts list for the Multi-Cal-System EVM board.

Table 5. Multi-Cal-System EVM Board Parts List

No.	Qty	Ref Des	Description	Vendor	Part Number
1	9	C006, C106, C206, C306, C406, C506, C606, C706, C71	Capacitor, 10000pF 50V CERAMIC X7R 0603	KEMET	C0603C103K5RACTU
2	53	C6, C5, C60, C61, C62, C840, C842, C907, C908, C909, C910, C901, C902, C903, C904, C905, C906, C911, C912, C913, C914, C915, C916, C921, C928, C929, C938, C970, C971, C972, C973, C001, C002, C101, C102, C201, C202, C301, C302, C401, C402, C501, C502, C601, C602, C701, C702, C811, C812, C813, C814, C820, C70	Capacitor, .10µF 25V Ceramic, Y5V 0603	KEMET	C0603C104M3VACTU
3	2	C56, C57	Capacitor, Ceramic, 1µF 25V X5R 0603	Murata Electronics North America	GRM188R61E105KA12D
4	6	C54, C55, C50, C51, C65, C72	Capacitor, Tantalum 4.7µF 35V 20% SMD	Nichicon	F931V475MCC
5	4	C1, C2, C3, C4	Capacitor, Ceramic, .01µF 10% 1000V X7R 1206	Vishay/Vitramon	VJ1206Y103KXGAT5Z
6	1	R938	Resistor, 49.9 kΩ 1/10W 1% 0603 SMD	Panasonic - ECG	ERJ-3EKF4992V
7	1	R8	Resistor, 1 MΩ 1% 1206 TF High Voltage	Stackpole Electronics Inc	HVCB 1206 T2 1M 1% I
8	8	R0, R1, R2, R3, R4, R5, R6, R7	Resistor, 499 Ω 1/10W 1% 603 SMD	Panasonic - ECG	ERJ-3EKF4990V
9	23	R006, R106, R206, R306, R406, R506, R606, R706, R007, R107, R207, R307, R407, R507, R607, R707, R939, R917, R916, R963, R964, R965, R966	Resistor, 100 Ω 1/10W 5% 0603 SMD	Stackpole Electronics Inc	RMCF 1/16 100 5% R
10	8	R004, R104, R204, R304, R404, R504, R604, R704,	Resistor, 200 Ω 1/4W 5% 1206 SMD	Stackpole Electronics Inc	RMCF 1/8 200 5% R

Table 5. Multi-Cal-System EVM Board Parts List (continued)

No.	Qty	Ref Des	Description	Vendor	Part Number
11	32	R001, R002, R003, R005, R101, R102, R103, R105, R201, R202, R203, R205, R301, R302, R303, R305, R401, R402, R403, R405, R501, R502, R503, R505, R601, R602, R603, R605, R701, R702, R703, R705	Resistor, 402 Ω 1/10W 1% 0603 SMD	Panasonic - ECG	ERJ-3EKF4020V
12	1	R64	Resistor, 10 k Ω 1/10W 1% 0603 SMD	Stackpole Electronics Inc	RMCF 1/16 10K 1% R
13	1	R63	Resistor, 69.8 k Ω 1/10W 1% 0603 SMD	Yageo	RC0603FR-0769K8L
14	7	RN1, RN2, RN3, RN902, RN906, RN907, RN908	Resistor, ARRAY 100 k Ω 10TRM BSS SMD	CTS Resistor Products	746X101104JP
15	1	R970	Resistor, 0.0 Ω 1/4W 5% 1206 SMD	Vishay/Dale	CRCW12060000Z0EA
16	3	U901, U902, U905	IC SW Mux analog 1/8CH 16-TSSOP	Analog Devices Inc	ADG1408YRUZ
17	5	U903, U904, U906, U907, U908	IC MultiplexeR 8X1 16SOIC	Maxim	MAX354CWE
18	3	U919, U920, U909	IC Chan Protector Octal 18-SOIC	Analog Devices Inc	ADG467BRZ
19	32	U001, U002, U003, U004, U101, U102, U103, U104, U201, U202, U203, U204, U301, U302, U303, U304, U401, U402, U403, U404, U501, U502, U503, U504, U601, U602, U603, U604, U701, U702, U703, U704,	Relay Opto DC 60V 600MA 6-SMD	Panasonic Electric Works	AQV102A
20	6	U963, U964, U965, U916, U917, U939	Diode Schottky 30 V 200 mA SOT23-3	NXP Semiconductors	BAT754S,215
21	2	U800, U4	IC I/O Expander I ² C 8B 16SOIC	Texas Instruments	PCA9534DWR
22	2	U820, U821	IC I/O Expander I ² C 8B 16SOIC	Texas Instruments	PCA9534ADWR
23	1	U938	IC Buff/Dvr Noninvert SOT235	Texas Instruments	SN74LVC1G07DBVR
24	1	U70	IC LDO Reg 10 V 150 mA SOT23-5	Texas Instruments	LP2985A-10DBVR
25	1	U921	IC 3-TO-8 Decoder/Demux 16-SSOP	Texas Instruments	SN74HC138DBR

Table 5. Multi-Cal-System EVM Board Parts List (continued)

No.	Qty	Ref Des	Description	Vendor	Part Number
26	1	U60	IC .5 A Neg Adj Lin LDO Reg 8SOIC	Texas Instruments	UCC384DP-ADJ
27	1	U6	IC LDO Reg 150 mA 5 V D2PAK-3 TO-263	Texas Instruments	TL750L05CKTTR
28	1	U5	IC 8 V 150 mA LDO Reg 8-SOIC	Texas Instruments	TL750L08CD
29	8	U005, U105, U205, U305, U405, U505, U605, U705	IC SGL 2 in Pos-AND Gate SOT23-5	Texas Instruments	SN74AHC1G08DBVR
30	8	U006, U106, U206, U306, U406, U506, U606, U706	IC Single Inverter Gate SOT23-5	Texas Instruments	SN74AHC1G04DBVR
31	2	U811, U812	IC Quad 2-In NOR Gate 14-SOIC	Texas Instruments	SN74HC02D
32	2	U813, U814	IC QUAD 2-Input AND GatE 14-SOIC	Texas Instruments	SN74HC08D
33	1	U35	IC OCT D-Type F-F W/Clr 20-SSOP	Texas Instruments	SN74HC273DBR
34	8	D0, D1, D2, D3, D4, D5, D6, D7	LED RED T1-3/4 Rt Ang PCB	CML Innovative Technologies	5307H1
35	2	D10, D11	Diode TVS 16 V 400 W Uni 5% SMA	Littelfuse Inc	SMAJ16A
36	2	D20, D21	TVS 400 W 11 V Unidirect SMA	Littelfuse Inc	SMAJ11A-TP
37	1	D17	Diode TVS 9.0V 400 W Uni 5% SMA	Littelfuse Inc	SMAJ9.0A
38	1	D16	Diode TVS 6.0V 400 W Uni 5% SMA	Littelfuse Inc	SMAJ6.0A
39	5	D12, D8, D9, D14, D15	Diode Schottky 100 V 5 A PowerDI5	Diodes Inc	PDS5100H-13
40	3	Fuse1, Fuse2, Fuse3	PTC Reset 30 V .200 A SMD 1210	Littelfuse Inc	1210L020WR
41	2	L2, L3	Inductor Unshield 100 μ H .52A SMD	JW Miller A Bourns Company	PM54-101K-RC
42	2	F1, F2	Ferrite Chip 120 Ω 3000 mA 1206	Murata Electronics North America	BLM31PG121SN1
43	2	J0, J1	Conn DB37 MALE .318" R/A NICKEL	Norcomp Inc.	182-037-113R531
44	1	J9	Conn D-SUB Plug R/A 9 Pos Gold/FL	AMP/Tyco Electronics	1734352-1
45	1	J102	Conn D-SUB Rcpt R/A 25 Pos 30 Gold (With Threaded Inserts and Board locks)	AMP/Tyco Electronics	5747846-4
46	1	J101	Conn D-SUB Plug R/A 25 Pos 30GOLD (With Threaded Inserts and Board locks)	AMP/Tyco Electronics	5747842-4
47	1	J8	Conn Header Low-Pro 60 Pos Gold	Assmann Electronics Inc	AWHW60G-0202-T-R
48	8	CH_ON, CH_OFF, MBIT, SPI_SCK, SPI_CS, SPI_IO, ONE, Vout, GND_SEN	Connector	OMIT	OMIT

Table 5. Multi-Cal-System EVM Board Parts List (continued)

No.	Qty	Ref Des	Description	Vendor	Part Number
49	4	JMP1, JMP2, JMP4, JMP4	Header, 3 pos 0.100" SGL Gold	Samtec	TSW-103-07-G-S
50	4	JMP1, JMP2, JMP4, JMP5	Shunt LP w/handle 2 pos 30AU	Tyco Electronics	881545-2
51	1	T1	Terminal block 5 mm 3POS	ON SHORE TECHNOLOGY	ED300/3
52	1	T6	Terminal block 5 mm 2POS	ON SHORE TECHNOLOGY	ED300/2
53	16	M1-M8 and USB DAQ Standoffs (bottom)	Standoff Hex M/F 4-40 1.125"ALUM	Keystone Electronics	8406
54	16	M1-M8 and USB DAQ Standoffs (top)	Standoff Hex 4-40 Thr alum .250"	Keystone Electronics	2201
55	6	Use on J0, J1, J9	Female Screwlock 4-40 .312"	Norcomp Inc.	SFSO4401NR

Revision History

Changes from Original (August, 2010) to A Revision	Page
• Updated <i>Overview</i> to include references to both PGA308 and PGA309 devices	3
• Revised description of Multi-Cal-Test PCA card to clarify that PGA309 version is not currently available	5
• Changed description of <i>Recommended Starter System</i> components to note that the Multi-Cal-System is compatible with both PGA308 and PGA309. Added note (1) to Table 1	7
• Moved <i>Multi-Cal-System EVM Software Overview</i> and <i>Understanding the Instrument Script</i> (Section 3 and Section 5, respectively) to new document (SBOU104)	22

NOTE: Page numbers for previous revisions may differ from page numbers in the current version.

Evaluation Board/Kit Important Notice

Texas Instruments (TI) provides the enclosed product(s) under the following conditions:

This evaluation board/kit is intended for use for **ENGINEERING DEVELOPMENT, DEMONSTRATION, OR EVALUATION PURPOSES ONLY** and is not considered by TI to be a finished end-product fit for general consumer use. Persons handling the product(s) must have electronics training and observe good engineering practice standards. As such, the goods being provided are not intended to be complete in terms of required design-, marketing-, and/or manufacturing-related protective considerations, including product safety and environmental measures typically found in end products that incorporate such semiconductor components or circuit boards. This evaluation board/kit does not fall within the scope of the European Union directives regarding electromagnetic compatibility, restricted substances (RoHS), recycling (WEEE), FCC, CE or UL, and therefore may not meet the technical requirements of these directives or other related directives.

Should this evaluation board/kit not meet the specifications indicated in the User's Guide, the board/kit may be returned within 30 days from the date of delivery for a full refund. **THE FOREGOING WARRANTY IS THE EXCLUSIVE WARRANTY MADE BY SELLER TO BUYER AND IS IN LIEU OF ALL OTHER WARRANTIES, EXPRESSED, IMPLIED, OR STATUTORY, INCLUDING ANY WARRANTY OF MERCHANTABILITY OR FITNESS FOR ANY PARTICULAR PURPOSE.**

The user assumes all responsibility and liability for proper and safe handling of the goods. Further, the user indemnifies TI from all claims arising from the handling or use of the goods. Due to the open construction of the product, it is the user's responsibility to take any and all appropriate precautions with regard to electrostatic discharge.

EXCEPT TO THE EXTENT OF THE INDEMNITY SET FORTH ABOVE, NEITHER PARTY SHALL BE LIABLE TO THE OTHER FOR ANY INDIRECT, SPECIAL, INCIDENTAL, OR CONSEQUENTIAL DAMAGES.

TI currently deals with a variety of customers for products, and therefore our arrangement with the user **is not exclusive.**

TI assumes **no liability for applications assistance, customer product design, software performance, or infringement of patents or services described herein.**

Please read the User's Guide and, specifically, the Warnings and Restrictions notice in the User's Guide prior to handling the product. This notice contains important safety information about temperatures and voltages. For additional information on TI's environmental and/or safety programs, please contact the TI application engineer or visit www.ti.com/esh.

No license is granted under any patent right or other intellectual property right of TI covering or relating to any machine, process, or combination in which such TI products or services might be or are used.

FCC Warning

This evaluation board/kit is intended for use for **ENGINEERING DEVELOPMENT, DEMONSTRATION, OR EVALUATION PURPOSES ONLY** and is not considered by TI to be a finished end-product fit for general consumer use. It generates, uses, and can radiate radio frequency energy and has not been tested for compliance with the limits of computing devices pursuant to part 15 of FCC rules, which are designed to provide reasonable protection against radio frequency interference. Operation of this equipment in other environments may cause interference with radio communications, in which case the user at his own expense will be required to take whatever measures may be required to correct this interference.

EVM Warnings and Restrictions

It is important to operate this EVM within the input voltage range of 5.7V to 9V and the output voltage range of 0V to 5V.

Exceeding the specified input range may cause unexpected operation and/or irreversible damage to the EVM. If there are questions concerning the input range, please contact a TI field representative prior to connecting the input power.

Applying loads outside of the specified output range may result in unintended operation and/or possible permanent damage to the EVM. Please consult the EVM User's Guide prior to connecting any load to the EVM output. If there is uncertainty as to the load specification, please contact a TI field representative.

During normal operation, some circuit components may have case temperatures greater than +25°C. The EVM is designed to operate properly with certain components above +25°C as long as the input and output ranges are maintained. These components include but are not limited to linear regulators, switching transistors, pass transistors, and current sense resistors. These types of devices can be identified using the EVM schematic located in the EVM User's Guide. When placing measurement probes near these devices during operation, please be aware that these devices may be very warm to the touch.

Mailing Address: Texas Instruments, Post Office Box 655303, Dallas, Texas 75265
Copyright © 2011, Texas Instruments Incorporated

IMPORTANT NOTICE

Texas Instruments Incorporated and its subsidiaries (TI) reserve the right to make corrections, modifications, enhancements, improvements, and other changes to its products and services at any time and to discontinue any product or service without notice. Customers should obtain the latest relevant information before placing orders and should verify that such information is current and complete. All products are sold subject to TI's terms and conditions of sale supplied at the time of order acknowledgment.

TI warrants performance of its hardware products to the specifications applicable at the time of sale in accordance with TI's standard warranty. Testing and other quality control techniques are used to the extent TI deems necessary to support this warranty. Except where mandated by government requirements, testing of all parameters of each product is not necessarily performed.

TI assumes no liability for applications assistance or customer product design. Customers are responsible for their products and applications using TI components. To minimize the risks associated with customer products and applications, customers should provide adequate design and operating safeguards.

TI does not warrant or represent that any license, either express or implied, is granted under any TI patent right, copyright, mask work right, or other TI intellectual property right relating to any combination, machine, or process in which TI products or services are used. Information published by TI regarding third-party products or services does not constitute a license from TI to use such products or services or a warranty or endorsement thereof. Use of such information may require a license from a third party under the patents or other intellectual property of the third party, or a license from TI under the patents or other intellectual property of TI.

Reproduction of TI information in TI data books or data sheets is permissible only if reproduction is without alteration and is accompanied by all associated warranties, conditions, limitations, and notices. Reproduction of this information with alteration is an unfair and deceptive business practice. TI is not responsible or liable for such altered documentation. Information of third parties may be subject to additional restrictions.

Resale of TI products or services with statements different from or beyond the parameters stated by TI for that product or service voids all express and any implied warranties for the associated TI product or service and is an unfair and deceptive business practice. TI is not responsible or liable for any such statements.

TI products are not authorized for use in safety-critical applications (such as life support) where a failure of the TI product would reasonably be expected to cause severe personal injury or death, unless officers of the parties have executed an agreement specifically governing such use. Buyers represent that they have all necessary expertise in the safety and regulatory ramifications of their applications, and acknowledge and agree that they are solely responsible for all legal, regulatory and safety-related requirements concerning their products and any use of TI products in such safety-critical applications, notwithstanding any applications-related information or support that may be provided by TI. Further, Buyers must fully indemnify TI and its representatives against any damages arising out of the use of TI products in such safety-critical applications.

TI products are neither designed nor intended for use in military/aerospace applications or environments unless the TI products are specifically designated by TI as military-grade or "enhanced plastic." Only products designated by TI as military-grade meet military specifications. Buyers acknowledge and agree that any such use of TI products which TI has not designated as military-grade is solely at the Buyer's risk, and that they are solely responsible for compliance with all legal and regulatory requirements in connection with such use.

TI products are neither designed nor intended for use in automotive applications or environments unless the specific TI products are designated by TI as compliant with ISO/TS 16949 requirements. Buyers acknowledge and agree that, if they use any non-designated products in automotive applications, TI will not be responsible for any failure to meet such requirements.

Following are URLs where you can obtain information on other Texas Instruments products and application solutions:

Products

Audio	www.ti.com/audio
Amplifiers	amplifier.ti.com
Data Converters	dataconverter.ti.com
DLP® Products	www.dlp.com
DSP	dsp.ti.com
Clocks and Timers	www.ti.com/clocks
Interface	interface.ti.com
Logic	logic.ti.com
Power Mgmt	power.ti.com
Microcontrollers	microcontroller.ti.com
RFID	www.ti-rfid.com
RF/IF and ZigBee® Solutions	www.ti.com/lprf

Applications

Communications and Telecom	www.ti.com/communications
Computers and Peripherals	www.ti.com/computers
Consumer Electronics	www.ti.com/consumer-apps
Energy and Lighting	www.ti.com/energy
Industrial	www.ti.com/industrial
Medical	www.ti.com/medical
Security	www.ti.com/security
Space, Avionics and Defense	www.ti.com/space-avionics-defense
Transportation and Automotive	www.ti.com/automotive
Video and Imaging	www.ti.com/video
Wireless	www.ti.com/wireless-apps

TI E2E Community Home Page

e2e.ti.com

Mailing Address: Texas Instruments, Post Office Box 655303, Dallas, Texas 75265
Copyright © 2011, Texas Instruments Incorporated