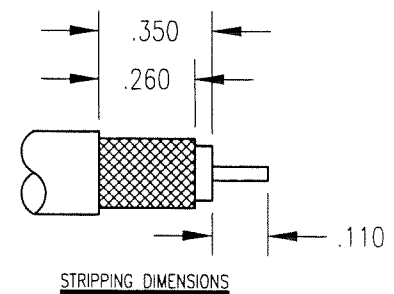
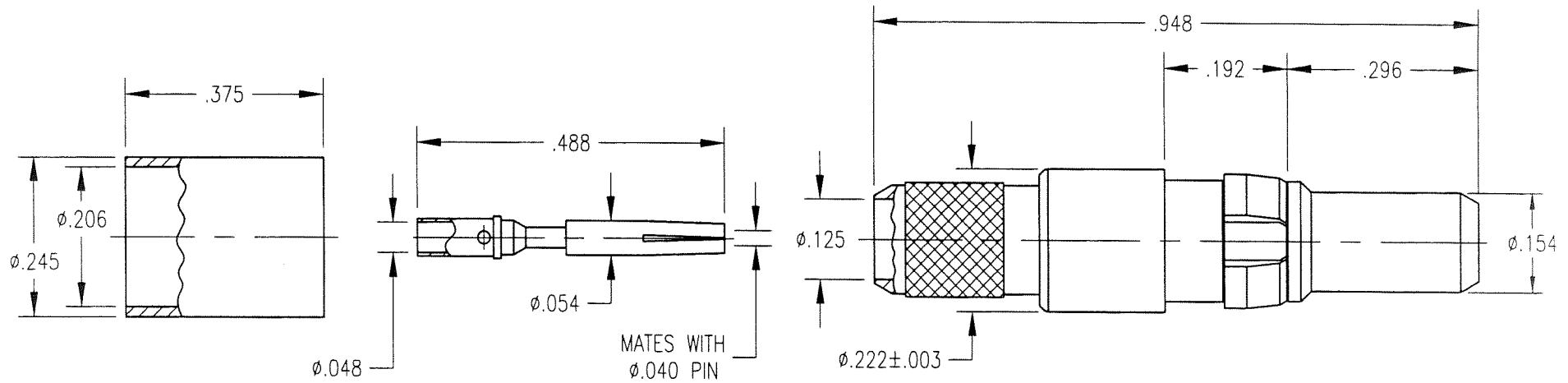


DWG. NO. 310-910-1160G			
REV	DESCRIPTION	BY	APPD
B	ECN 2515	00/11/98	JED



**NOTES:**

1. MATERIALS:  
 BODY & FERRULE: BRASS PER ASTM B16.  
 CONTACT: BERYLLIUM COPPER PER ASTM B196  
 INSULATOR: TEFLON PER ASTM D1710.  
 CLIP RING: BERYLLIUM COPPER PER ASTM B194.
2. FINISH  
 BODY AND CONTACT: .000030 GOLD PER MIL-G-45204 OVER NICKEL PER QQ-N-290.  
 CLIP RING: .000100 MIN. NICKEL PER QQ-N-290 OVER COPPER FLASH.
3. DESIGN FOR USE WITH RG-141 CABLE OR EQUIVALENT.
4. USE CAP 9-15.

PER ASME Y14.5M-1994 UNLESS OTHERWISE SPECIFIED, DIMENSIONS ARE IN INCHES (MM) TOLERANCES: DECIMALS .xx ± .01/0.254 xxx ± .005/0.127 ANGLES ± 2° SCALE: 4:1		<b>Litton</b> <b>Winchester/Retconn</b> 400 Park Road Waterbury, Connecticut 06795	
<b>CUSTOMER DRAWING</b>		TITLE <b>31 SERIES PLUG</b>	
DRAWN EJW DATE 4/7/98	CHECKED JED DATE 4/7/98	APPROVED JMC DATE 4/7/98	APPROVED JMC DATE 4/7/98
<b>A</b>		310-910-1160G	SMT 1 1 REV B