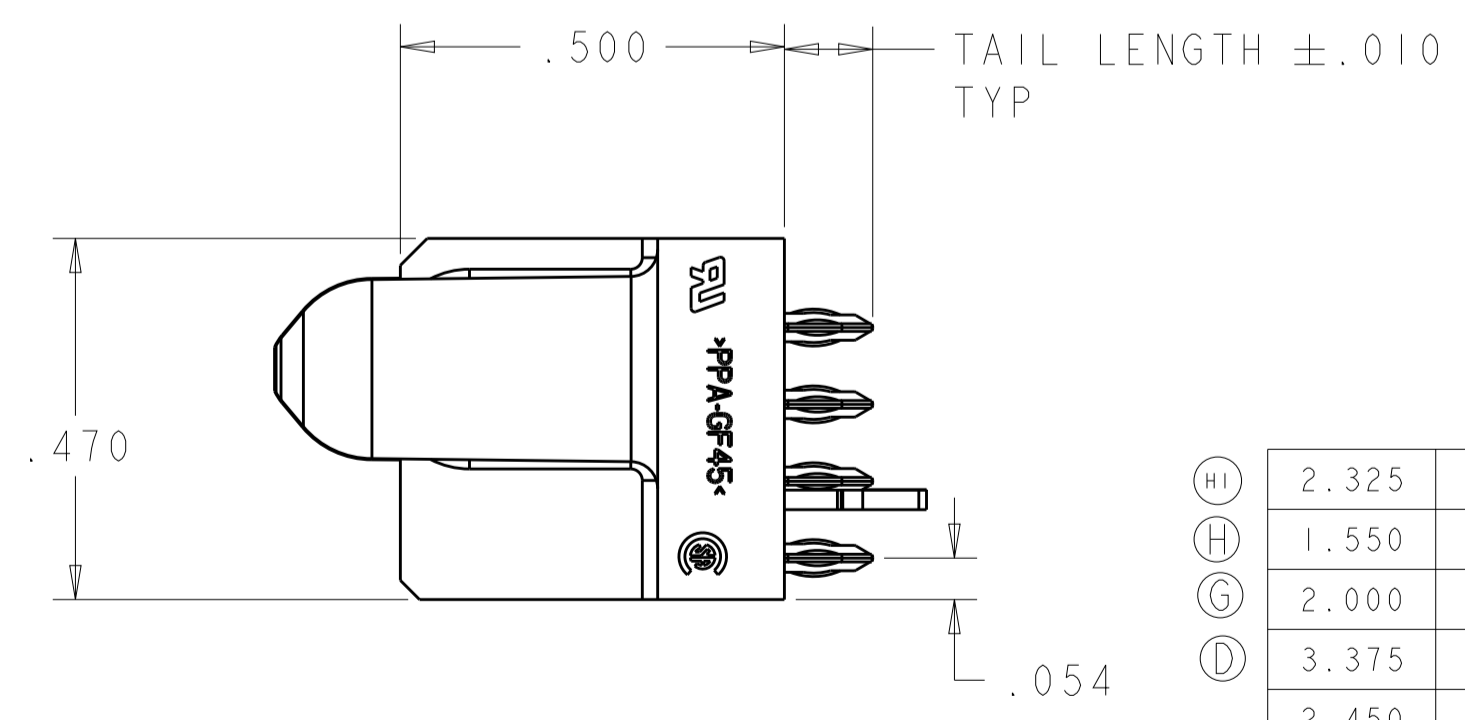
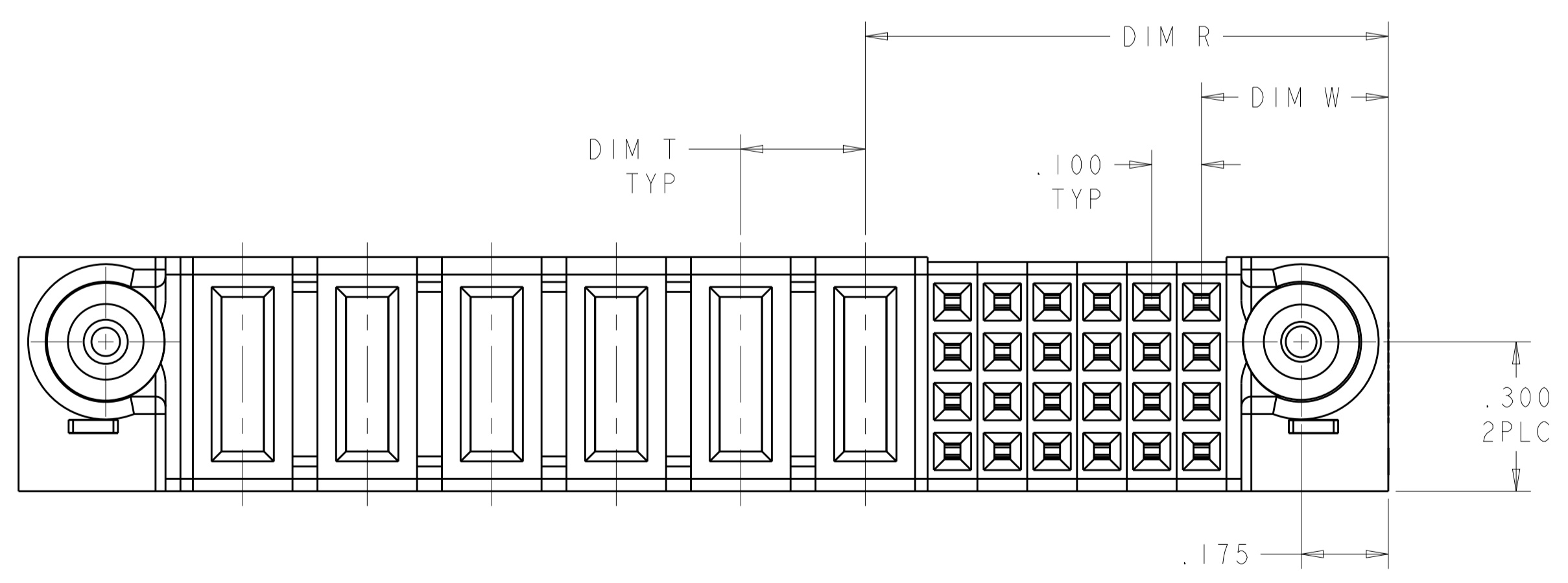
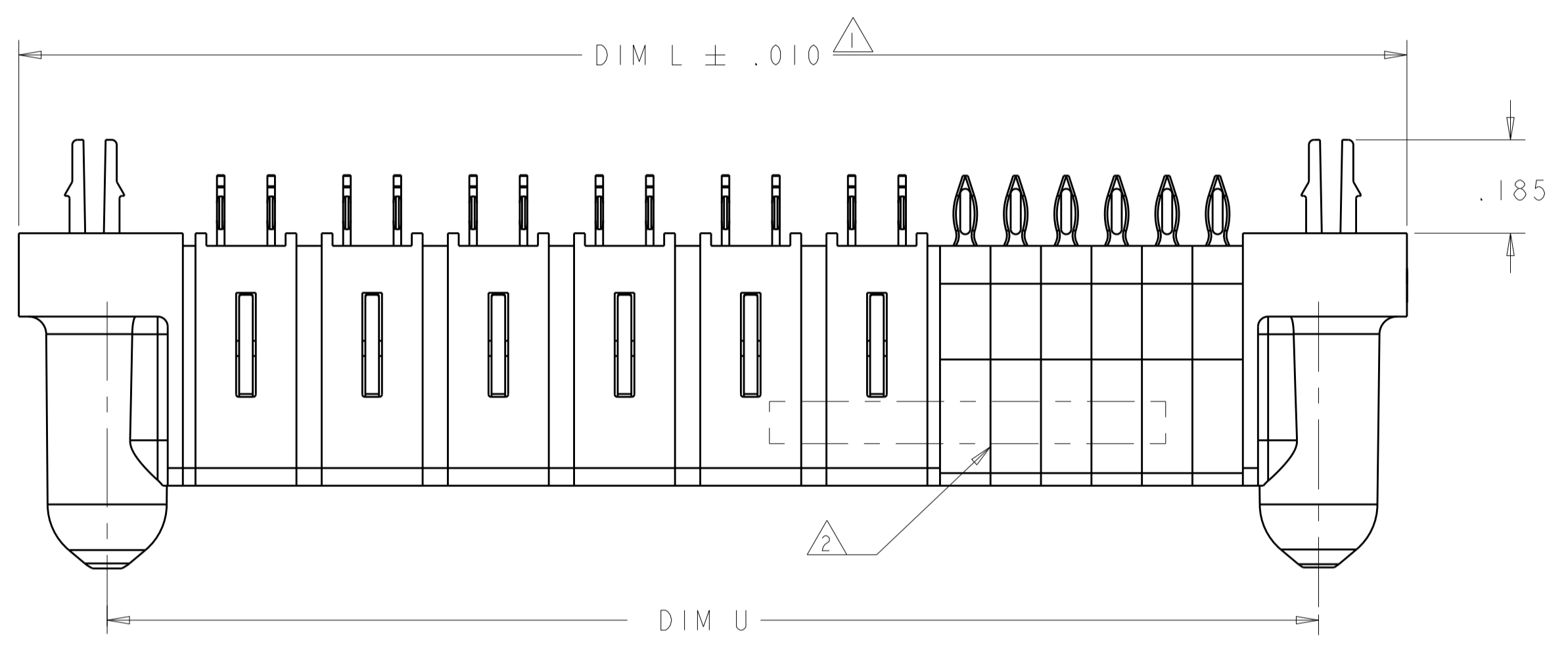
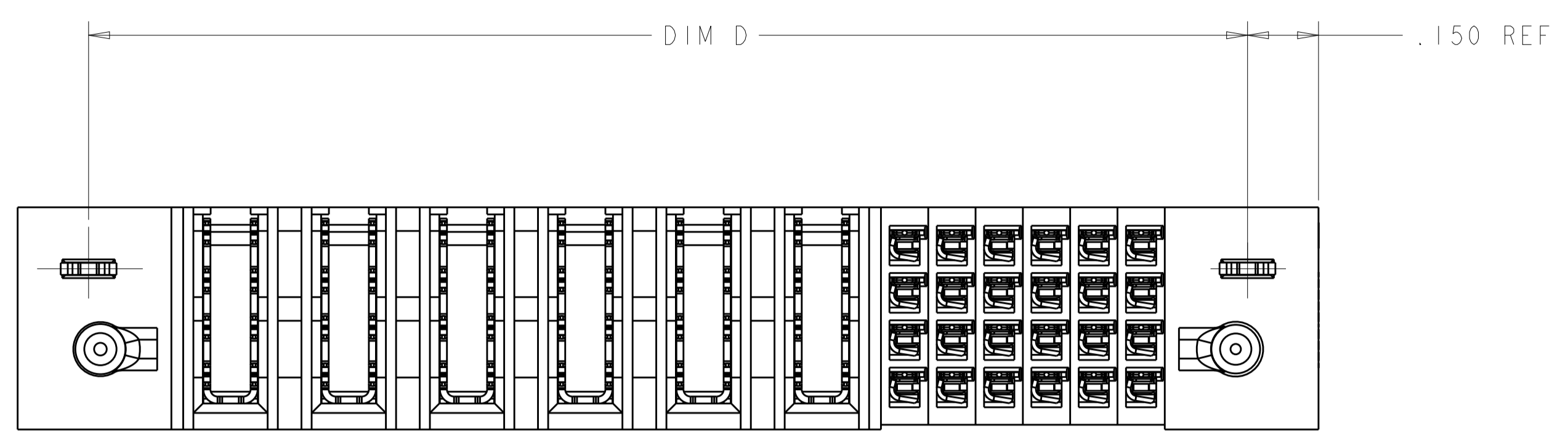


| LOC | | DIST | | REVISIONS | | | |
|-----|-----|----------------------------|-----------|-----------|------|--|--|
| P | LTN | DESCRIPTION | DATE | DMN | APVD | | |
| G1 | | ADDED NEW DASH NUMBER -10. | 28DEC2010 | IL | SZ | | |
| H | | REV PER ECR-11-001293 | 19JAN2011 | IL | SZ | | |
| H1 | | ADDED THE DASH NUMBER -11 | 29APR2011 | ML | SZ | | |



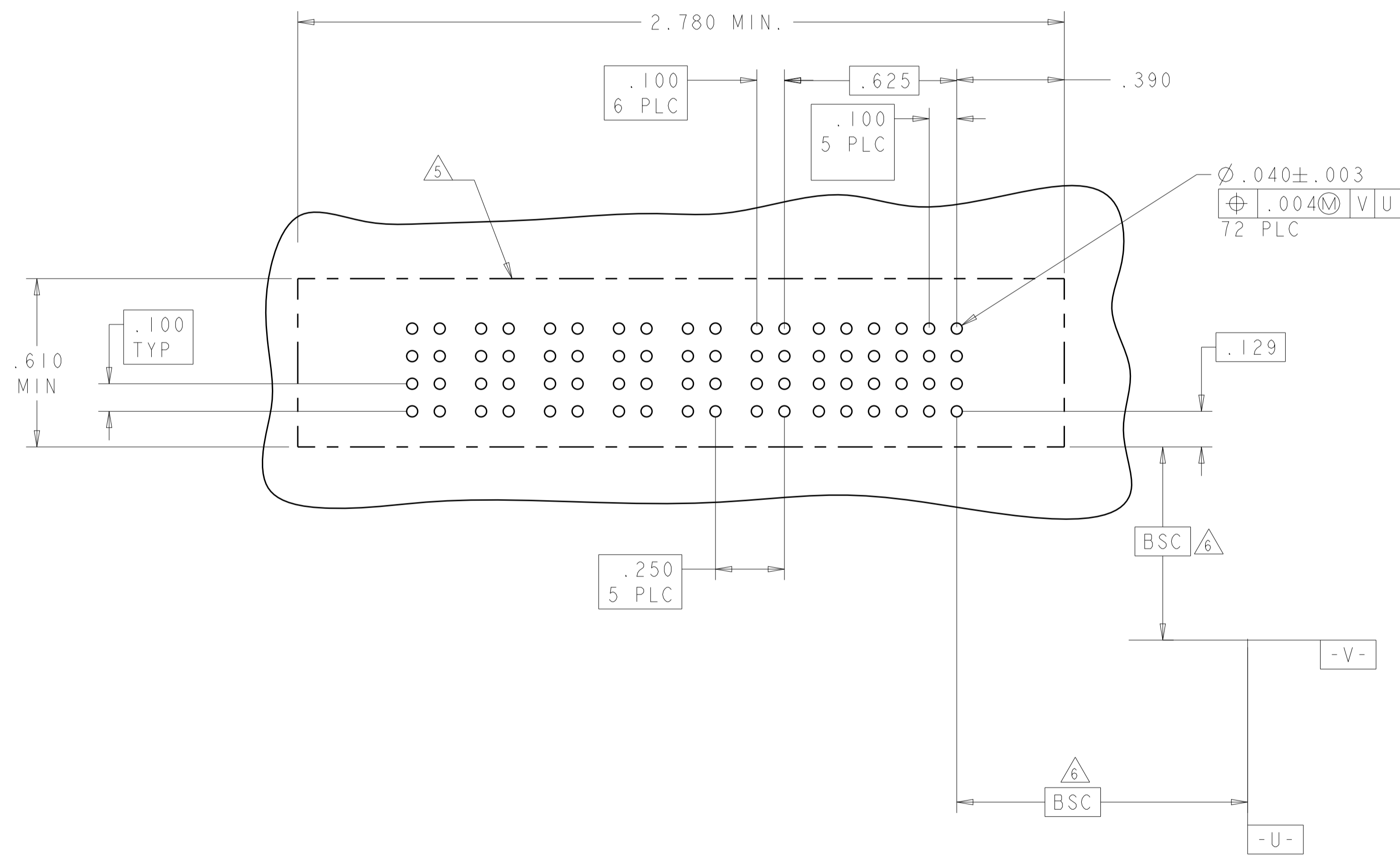
- 1 THE MAXIMUM OVERALL LENGTH OF A PART IS 8.00.
- 2 PART NUMBER, AND DATE CODE MARKED IN AREA SHOWN. MARKING ON BOTH SIDES PERMITTED FOR PARTS UNDER 2.00 LONG.
- 3 MATERIAL:
 HOUSING - GLASS FILLED HIGH TEMP THERMO PLASTIC, UL94 V-0, BLACK
 SIGNAL CONTACT - HIGH CONDUCTIVITY COPPER ALLOY
 POWER CONTACT - HIGH CONDUCTIVITY COPPER ALLOY
- 4 CONTACT PLATING: NOBLE METAL PLATING ON CONTACT FUNCTIONAL AREA OF POWER AND SIGNAL CONTACTS
- 5 MECHANICAL CONNECTOR KEEP OUT ZONE.
- 6 DATUM AND BASIC DIMENSIONS ESTABLISHED BY CUSTOMER.
- 7 PCB - ALL HOLE DIAMETERS ARE FINISHED HOLE SIZES.
- 8 PCB - .0453±.0010 DRILLED HOLES PLATED WITH .0003 MIN Sn OVER .001 TO .003 Cu PLATING TO ACHIEVE A .040 HOLE.

| 2.325 | 2.275 | .250 | .925 | .425 | 2.625 | 16S + 6P | 1-6450551-1 |
|-------|-------|------|-------|------|-------|-------------|-------------|
| 1.550 | 1.500 | .200 | .825 | .375 | 1.850 | 16S + 4P | 1-6450551-0 |
| 2.000 | 1.950 | .250 | .850 | .375 | 2.300 | 16S + 5P | 6450551-9 |
| 3.375 | 3.325 | .200 | 1.050 | .375 | 3.675 | 24S + 12HDP | 6450551-8 |
| 2.450 | 2.400 | .250 | 1.050 | .375 | 2.750 | 24S + 6P | 6450551-7 |
| 3.000 | 2.950 | .200 | 1.050 | .375 | 3.300 | 24S + 10HDP | 6450551-6 |
| 4.650 | 4.600 | .250 | 1.250 | .375 | 4.950 | 32S + 14P | 6450551-5 |
| 3.375 | 3.325 | .200 | 1.050 | .375 | 3.675 | 24S + 12HDP | 6450551-4 |
| 2.450 | 2.400 | .250 | 1.050 | .375 | 2.750 | 24S + 6P | 6450551-1 |
| D | U | T | R | W | L | DESCRIPTION | PART NUMBER |

| | | | | | | | | | | | |
|-----------------------|--|--|--|-----------------------|--|--|--|-----------------------|--|--|--|
| DIMENSIONS: INCHES | | TOLERANCES UNLESS OTHERWISE SPECIFIED: 0 PLC ±.1 1 PLC ±.05 2 PLC ±.02 3 PLC ±.005 4 PLC ±.0005 ANGLES ±.1 | | DIMENSIONS: INCHES | | TOLERANCES UNLESS OTHERWISE SPECIFIED: 0 PLC ±.1 1 PLC ±.05 2 PLC ±.02 3 PLC ±.005 4 PLC ±.0005 ANGLES ±.1 | | DIMENSIONS: INCHES | | TOLERANCES UNLESS OTHERWISE SPECIFIED: 0 PLC ±.1 1 PLC ±.05 2 PLC ±.02 3 PLC ±.005 4 PLC ±.0005 ANGLES ±.1 | |
| MATERIAL: | | FINISH: | | WEIGHT: | | CUSTOMER DRAWING: | | SCALE: 2:1 | | SHEET 1 OF 8 | |

| LOC | | DIST | | REVISIONS | | | |
|-----|---|------|---|-----------|-------------|----|------|
| | | | | REV | DATE | BY | APPV |
| - | - | - | - | - | - | - | - |
| - | - | - | - | - | SEE SHEET 1 | - | - |

| PART NUMBER | ROWS | POWER | | | | | | SIGNAL | | | | | |
|-------------|------------------|-------|----|----|----|----|----|--------|----|----|----|----|----|
| | | P6 | P5 | P4 | P3 | P2 | P1 | 6 | 5 | 4 | 3 | 2 | 1 |
| 6450551-1 | D C B A | GS | GS | GS | GP | GP | GP | AP | AP | AP | AP | AP | AP |
| | | GS | GS | GS | GP | GP | GP | AP | AP | AP | AP | AP | |
| | | GS | GS | GS | GP | GP | GP | AP | AP | AP | AP | AP | |
| | | GS | GS | GS | GP | GP | GP | AP | AP | AP | AP | AP | |
| 24S + 6P | | | | | | | | | | | | | |

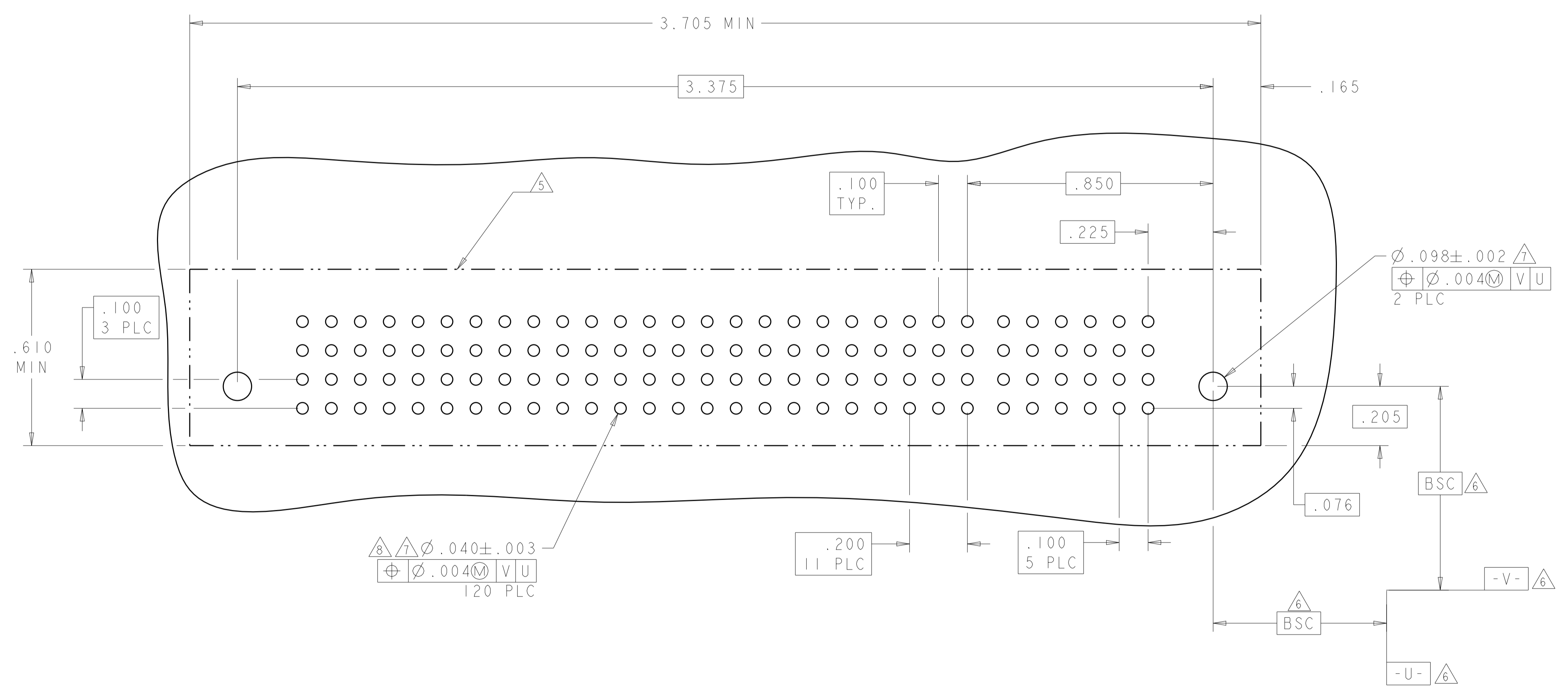


| DESCRIPTION | CODE |
|--------------------------------------|------|
| SIGNAL CONTACT, .135 TAIL LENGTH | AP |
| POWER CONTACT, STD .135 TAIL LENGTH | GS |
| POWER CONTACT, MFBL .135 TAIL LENGTH | GP |

| | | | |
|--|---|--|--|
| <small>THIS DRAWING IS UNPUBLISHED. RELEASED FOR PUBLICATION 20. IT IS THE PROPERTY OF TYCO ELECTRONICS CORPORATION. IT IS TO BE USED FOR THE DESIGN AND CONSTRUCTION OF THE PRODUCT ONLY. IT IS NOT TO BE REPRODUCED OR TRANSMITTED IN ANY FORM OR BY ANY MEANS, ELECTRONIC OR MECHANICAL, INCLUDING PHOTOCOPYING, RECORDING, OR BY ANY INFORMATION STORAGE AND RETRIEVAL SYSTEM, WITHOUT THE WRITTEN PERMISSION OF TYCO ELECTRONICS CORPORATION.</small> | | DWN: 02AUG2007 CHK: LESSON, L.L. SUNNY, ZHAO | Tyco Electronics Corporation Shanghai, P.R. China, 200233 |
| DIMENSIONS: INCHES | TOLERANCES UNLESS OTHERWISE SPECIFIED: 0 PLC ±.1 1 PLC ±0.1 2 PLC ±0.02 3 PLC ±0.005 4 PLC ±0.0005 ANGLES ±.1 | NAME: STEVEN YAO PRODUCT SPEC: 108-1973 APPLICATION SPEC: 114-13038 WEIGHT: - | SIZE: A CAGE CODE: 00779 DRAWING NO: 6450551 |
| MATERIAL: - | FINISH: - | RESTRICTED TO: - | SCALE: 2:1 SHEET 2 OF 8 REV: H2 |

| LOC | | DIST | | REVISIONS | | | |
|-----|-----|-------------|------|-----------|------|--|--|
| P | LTN | DESCRIPTION | DATE | DMN | APVD | | |
| - | - | SEE SHEET 1 | - | - | - | | |

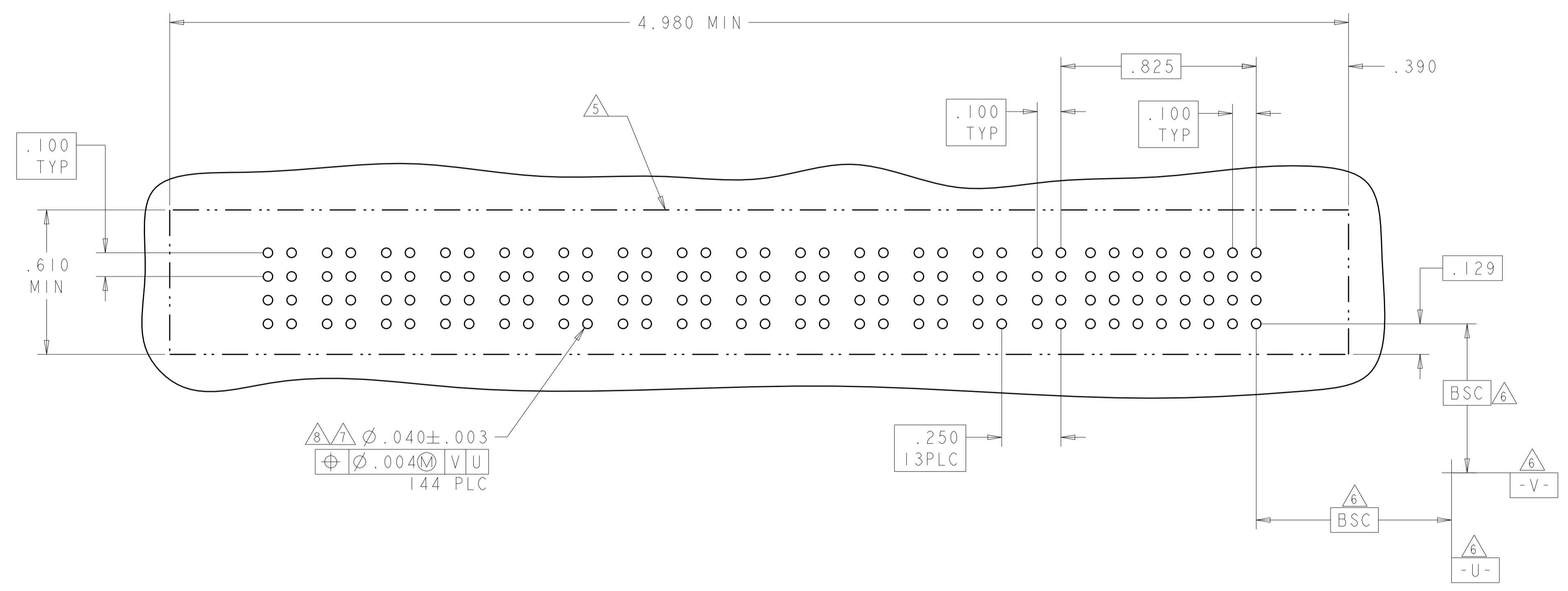
| PART NUMBER | ROWS | POWER | | | | | | | | | | | SIGNAL | | | | | | | | | | |
|-------------|------------------|-------|-----|-----|----|----|----|----|----|----|----|----|--------|----|----|----|----|----|----|----|----|----|----|
| | | PI2 | PI1 | PI0 | P9 | P8 | P7 | P6 | P5 | P4 | P3 | P2 | P1 | 6 | 5 | 4 | 3 | 2 | 1 | | | | |
| 6450551-4 | D C B A | HD | GS | GS | GS | GS | GS | GS | GP | GP | GP | GP | GP | GP | GP | GP | AP | AP | AP | AP | AP | AP | |
| | | | GS | GS | GS | GS | GS | GP | GP | GP | GP | GP | GP | GP | GP | GP | GP | AP | AP | AP | AP | AP | AP |
| | | | GS | GS | GS | GS | GS | GP | GP | GP | GP | GP | GP | GP | GP | GP | GP | AP | AP | AP | AP | AP | AP |
| | | | GS | GS | GS | GS | GS | GP | GP | GP | GP | GP | GP | GP | GP | GP | GP | AP | AP | AP | AP | AP | AP |
| 24S + 12HDP | | | | | | | | | | | | | | | | | | | | | | | |



| | | | |
|---|---|---|--|
| <small>THIS DRAWING IS UNPUBLISHED. RELEASED FOR PUBLICATION. IT IS THE PROPERTY OF TYCO ELECTRONICS CORPORATION. IT IS TO BE USED ONLY FOR THE PURPOSES AND IN THE QUANTITIES SPECIFIED IN THE ORDER. IT IS TO BE RETURNED TO TYCO ELECTRONICS CORPORATION IF NOT SO USED.</small> | | DMN: LESSON, L.L. 02AUG2007 CHK: SUNNY, ZHAO 02AUG2007 APVD: STEVEN, YAO | Tyco Electronics Corporation Shanghai, P.R. China, 200233 |
| DIMENSIONS: INCHES | TOLERANCES UNLESS OTHERWISE SPECIFIED: 0 PLC ± 1 PLC ±0.1 2 PLC ±0.02 3 PLC ±0.005 4 PLC ±0.0005 ANGLES ± | NAME: STEVEN, YAO PRODUCT SPEC: 108-1973 APPLICATION SPEC: 114-13038 WEIGHT: | SIZE: A100779 CAGE CODE: C=6450551 CUSTOMER DRAWING |
| MATERIAL: | | FINISH: | SCALE: 2:1 SHEET: 3 OF 8 REV: H2 |

| LOC | DIST | REV | DATE | BY | APPV |
|-----------|------|-----|-------------|------|------|
| - | - | - | - | - | - |
| REVISIONS | | | | | |
| P | L | M | DESCRIPTION | DATE | DWN |
| - | - | - | SEE SHEET 1 | - | - |

| PART NUMBER | ROWS | POWER | | | | | | | | | | | | | | SIGNAL | | | | | | | |
|-------------|------------------|-------|-----|-----|-----|-----|----|----|----|----|----|----|----|----|----|--------|----|----|----|----|----|----|----|
| | | P14 | P13 | P12 | P11 | P10 | P9 | P8 | P7 | P6 | P5 | P4 | P3 | P2 | P1 | 8 | 7 | 6 | 5 | 4 | 3 | 2 | 1 |
| 6450551-5 | D C B A | GS | GP | GS | GP | GS | GP | GS | GP | GS | GP | GS | GP | GS | GP | AP | AP | AP | AP | AP | AP | AP | AP |
| | | GS | GP | GS | GP | GS | GP | GS | GP | GS | GP | GS | GP | GS | GP | AP | AP | AP | AP | AP | AP | AP | AP |
| | | GS | GP | GS | GP | GS | GP | GS | GP | GS | GP | GS | GP | GS | GP | AP | AP | AP | AP | AP | AP | AP | AP |
| | | GS | GP | GS | GP | GS | GP | GS | GP | GS | GP | GS | GP | GS | GP | AP | AP | AP | AP | AP | AP | AP | AP |
| 32S + 14P | | | | | | | | | | | | | | | | | | | | | | | |

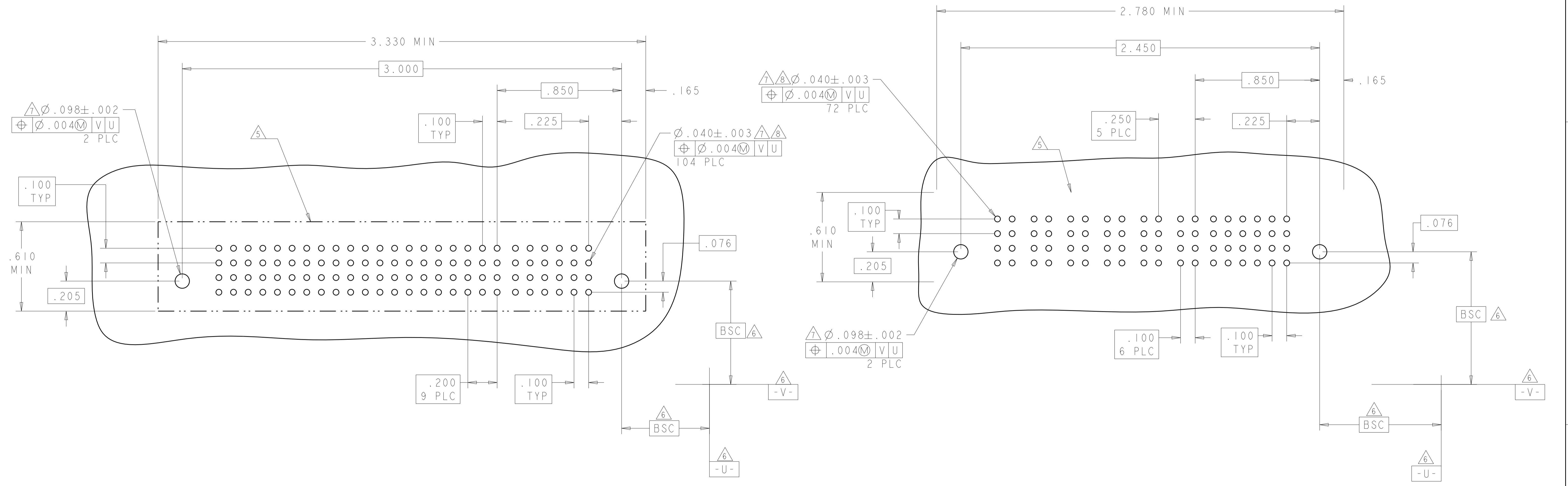


| | | | |
|---|---|--|---|
| <small>THIS DRAWING IS UNPUBLISHED. RELEASED FOR PUBLICATION 20. COPYRIGHT 20 BY TYCO ELECTRONICS CORPORATION. ALL RIGHTS RESERVED.</small> | | DWN: LESSON.LL 02AUG2007 CHK: SUNNY.ZHAO 02AUG2007 APV: STEVEN.YAO | Tyco Electronics Corporation Shanghai, P.R.China. 200233 |
| DIMENSIONS: INCHES | TOLERANCES UNLESS OTHERWISE SPECIFIED: 0 PLC ±.1 1 PLC ±0.1 2 PLC ±0.02 3 PLC ±0.005 4 PLC ±0.0005 ANGLES ±.1 | NAME: STEVEN.YAO PRODUCT SPEC: 108-1973 APPLICATION SPEC: 114-13038 WEIGHT: - | NAME: VERTICAL RECEPTACLE ASSEMBLY WITH GUIDES, PRESS-FIT, MULTI-BEAM XL SIZE: A1 CAGE CODE: 00779 DRAWING NO: 6450551 RESTRICTED TO: - |
| MATERIAL: - | FINISH: - | CUSTOMER DRAWING | SCALE: 2:1 SHEET 4 OF 8 REV: H2 |

| LOC | | DIST | | REVISIONS | | | |
|-----|-----|-------------|------|-----------|------|--|--|
| P | LTN | DESCRIPTION | DATE | DWN | APVD | | |
| - | - | SEE SHEET 1 | - | - | - | | |

| PART NUMBER | ROWS | POWER | | | | | | | | | SIGNAL | | | | | | |
|-------------|------------------|-------|----|----|----|----|----|----|----|----|--------|----|----|----|----|----|----|
| | | P10 | P9 | P8 | P7 | P6 | P5 | P4 | P3 | P2 | P1 | 6 | 5 | 4 | 3 | 2 | 1 |
| 6450551-6 | D C B A | | | | | | | | | | | AP | AP | AP | AP | AP | AP |
| | | GS | GS | GP | GP | GP | GP | GP | GS | GS | GS | AP | AP | AP | AP | AP | AP |
| | | | | | | | | | | | | | AP | AP | AP | AP | AP |
| 24S + 10HDP | | | | | | | | | | | | | | | | | |

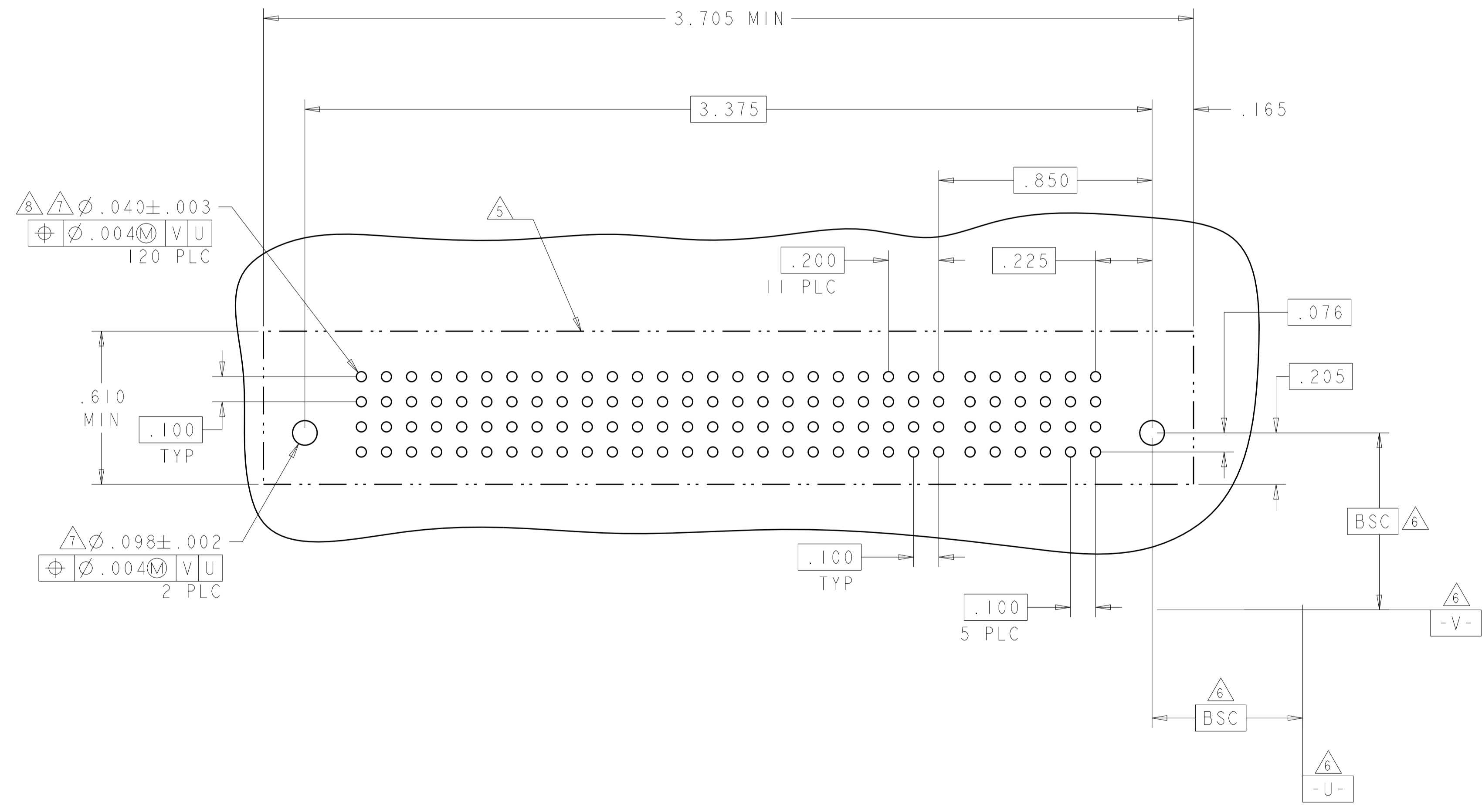
| PART NUMBER | ROWS | POWER | | | | | | SIGNAL | | | | | |
|-------------|------------------|-------|----|----|----|----|----|--------|----|----|----|----|----|
| | | P6 | P5 | P4 | P3 | P2 | P1 | 6 | 5 | 4 | 3 | 2 | 1 |
| 6450551-7 | D C B A | | | | | | | AP | AP | AP | AP | AP | AP |
| | | GP | GP | GS | GS | GS | GS | AP | AP | AP | AP | AP | AP |
| | | | | | | | | AP | AP | AP | AP | AP | AP |
| 24S + 6P | | | | | | | | | | | | | |



| | | | | | |
|--|--|---|--|---|--|
| <small>THIS DRAWING IS UNPUBLISHED. RELEASED FOR PUBLICATION BY TYCO ELECTRONICS CORPORATION. ALL RIGHTS RESERVED.</small> | | DWN: LESSON, L.L. 02AUG2007 CHK: SUNNY, ZHAO 02AUG2007 APVD: STEVEN, YAO | | Tyco Electronics Tyco Electronics Corporation Shanghai, P.R. China, 200233 | |
| DIMENSIONS: INCHES | | TOLERANCES UNLESS OTHERWISE SPECIFIED: 0 PLC ±.1 1 PLC ±0.1 2 PLC ±0.02 3 PLC ±0.005 4 PLC ±0.0005 ANGLES ±.1 | | NAME: STEVEN, YAO PRODUCT SPEC: 108-1973 APPLICATION SPEC: 114-13038 WEIGHT: | |
| MATERIAL: | | FINISH: | | SIZE: A 00779 C=6450551 CUSTOMER DRAWING SCALE: 2:1 SHEET 5 OF 8 REV: H2 | |

| LOC | | DIST | | REVISIONS | | | |
|-----|-----|-------------|------|-----------|------|--|--|
| P | LTN | DESCRIPTION | DATE | DMN | APVD | | |
| - | - | SEE SHEET 1 | - | - | - | | |

| PART NUMBER | ROWS | POWER | | | | | | | | | | | SIGNAL | | | | | | | |
|-------------|------------------|-------|-----|-----|----|----|----|----|----|----|----|----|--------|----|----|----|----|----|----|--|
| | | P12 | P11 | P10 | P9 | P8 | P7 | P6 | P5 | P4 | P3 | P2 | P1 | 6 | 5 | 4 | 3 | 2 | 1 | |
| 6450551-8 | D C B A | GS | GS | GP | GP | GP | GP | GP | GP | GS | GS | GS | GS | AP | AP | AP | AP | AP | AP | |
| | | GS | GS | GP | GP | GP | GP | GP | GP | GS | GS | GS | GS | AP | AP | AP | AP | AP | AP | |
| | | GS | GS | GP | GP | GP | GP | GP | GP | GS | GS | GS | GS | AP | AP | AP | AP | AP | AP | |
| | | GS | GS | GP | GP | GP | GP | GP | GP | GS | GS | GS | GS | AP | AP | AP | AP | AP | AP | |
| 24S + 12HDP | | | | | | | | | | | | | | | | | | | | |



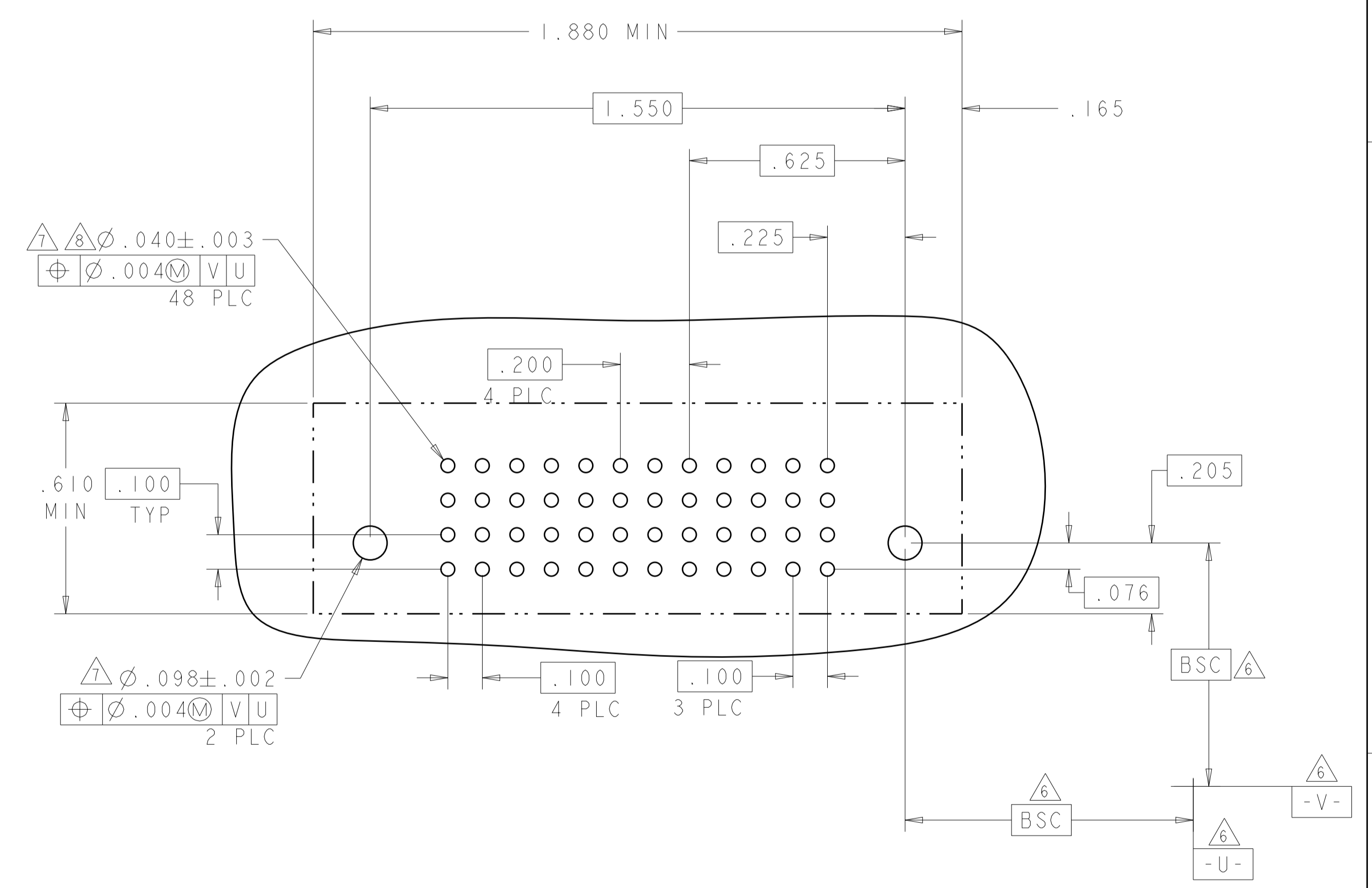
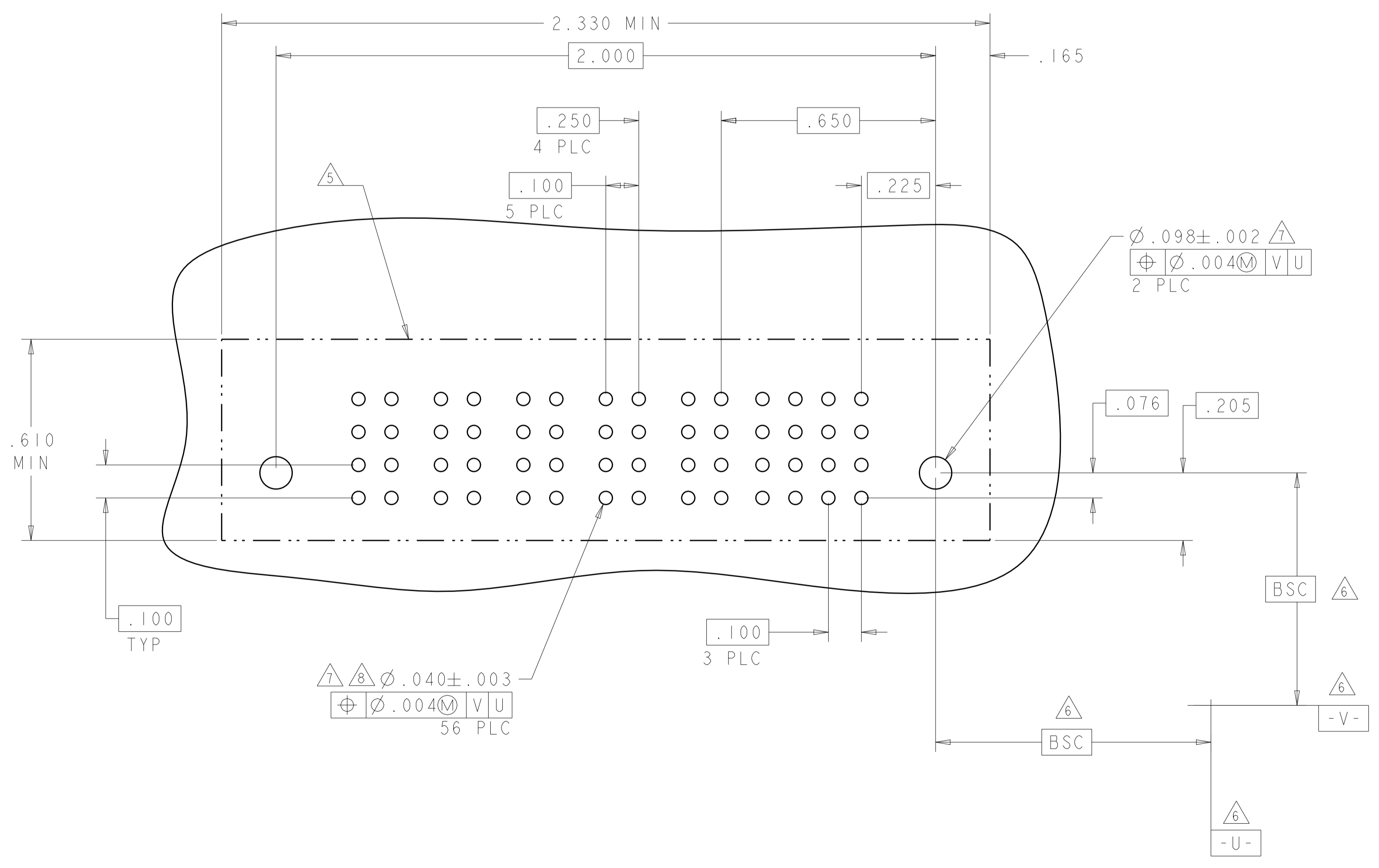
| | | | |
|--|---|--|---|
| <small>THIS DRAWING IS UNPUBLISHED. RELEASED FOR PUBLICATION. IT IS THE PROPERTY OF TYCO ELECTRONICS CORPORATION AND IS TO BE CONTROLLED AND DISTRIBUTED ONLY TO THOSE ORGANIZATIONS WHOSE WE CONTACTED FOR THE LATEST REVISION.</small> | | DWN: LESSON.LL 02AUG2007 CHK: SUNNY.ZHAO 02AUG2007 APVD: STEVEN.YAO | Tyco Electronics Corporation Shanghai, P.R. China, 200233 |
| DIMENSIONS: INCHES | TOLERANCES UNLESS OTHERWISE SPECIFIED: 0 PLC ±.1 1 PLC ±0.1 2 PLC ±0.02 3 PLC ±0.005 4 PLC ±0.0005 ANGLES ±.1 | NAME: STEVEN.YAO PRODUCT SPEC: 108-1973 APPLICATION SPEC: 114-13038 WEIGHT: - | VERTICAL RECEPTACLE ASSEMBLY WITH GUIDES, PRESS-FIT, MULTI-BEAM XL SIZE: A CAGE CODE: 6450551 CUSTOMER DRAWING |
| MATERIAL: - | FINISH: - | SCALE: 2:1 | SHEET 6 OF 8 REV: H2 |

| LOC | DIST | REV | DATE | BY | APPV |
|-----------|------|-----|-------------|------|------|
| - | - | 1 | - | - | - |
| REVISIONS | | | DESCRIPTION | DATE | BY |
| - | | | SEE SHEET 1 | - | - |

| ASSY PART NUMBER | ROWS | POWER | | | | | SIGNAL | | | | |
|------------------|------|-------|----|----|----|----|--------|----|----|----|--|
| | | P5 | P4 | P3 | P2 | PI | 4 | 3 | 2 | 1 | |
| 6450551-9 | D | GP | GS | GS | GS | GP | AP | AP | AP | AP | |
| | C | | | | | | AP | AP | AP | AP | |
| | B | | | | | | AP | AP | AP | AP | |
| | A | | | | | | AP | AP | AP | AP | |
| 16S + 5P | | HD | | | | | | HD | | | |

⑥

| PART NUMBER | ROWS | POWER | | | | SIGNAL | | | |
|-------------|------|-------|----|----|----|--------|----|----|----|
| | | P4 | P3 | P2 | PI | 4 | 3 | 2 | 1 |
| 1-6450551-0 | D | GP | GP | GS | GS | AP | AP | AP | AP |
| | C | | | | | AP | AP | AP | AP |
| | B | | | | | AP | AP | AP | AP |
| | A | | | | | AP | AP | AP | AP |
| 16S + 4P | | HD | | | | | HD | | |



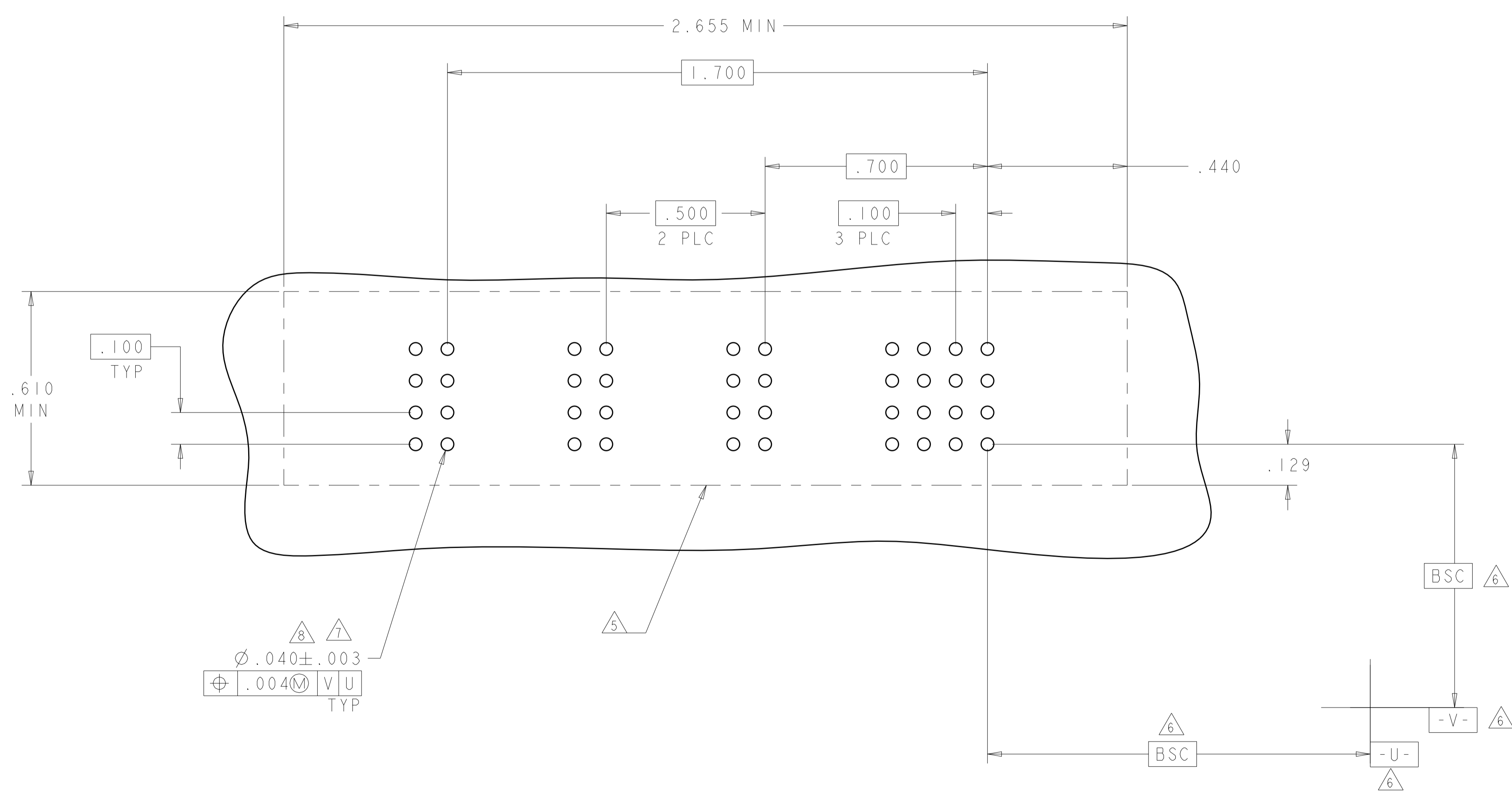
| | | | | | | | |
|---------------------------|--|--|--|---|--|---|--|
| DIMENSIONS: INCHES | | TOLERANCES UNLESS OTHERWISE SPECIFIED: 0 PLC ±.1 1 PLC ±0.02 2 PLC ±0.02 3 PLC ±0.005 4 PLC ±0.0005 ANGLES ±.1 | | DWN: LESSON, L.L. 02AUG2007 CHK: SUNNY, ZHAO 02AUG2007 APV: STEVEN, YAO PRODUCT SPEC: 108-1973 APPLICATION SPEC: 114-13038 WEIGHT: - CUSTOMER DRAWING | | Tyco Electronics Corporation Shanghai, P.R. China, 200233 NAME: VERTICAL RECEPTACLE ASSEMBLY WITH GUIDES, PRESS-FIT, MULTI-BEAM XL SIZE: A1100779 CAGE CODE: 6450551 SCALE: 2:1 SHEET 7 OF 8 REV: H2 | |
|---------------------------|--|--|--|---|--|---|--|

| LOC | | DIST | | REVISIONS | | | |
|-----|-----|-------------|------|-----------|------|--|--|
| P | LTN | DESCRIPTION | DATE | DWN | APVD | | |
| - | - | SEE SHEET 1 | - | - | - | | |

| PART NUMBER | ROWS | POWER | | | | | | SIGNAL | | | |
|-------------|------------------|-------|----|----|----|----|----|--------|----|----|----|
| | | P6 | P5 | P4 | P3 | P2 | P1 | 4 | 3 | 2 | 1 |
| 1-6450551-1 | D C B A | GS | | GS | | GP | | AP | AP | AP | AP |
| | | | | | | | | AP | AP | AP | AP |
| | | | | | | | | AP | AP | AP | AP |
| | | | | | | | | AP | AP | AP | AP |

16S + 6P

NO CONTACTS LOADED



$\phi .040 \pm .003$
 $\oplus .004$ TYP
 V U
 TYP

| | | | | | | | |
|---------------------------|--|--|--|---|--|--|--|
| DIMENSIONS: INCHES | | TOLERANCES UNLESS OTHERWISE SPECIFIED: 0 PLC ±.1 1 PLC ±0.1 2 PLC ±0.02 3 PLC ±0.005 4 PLC ±0.0005 ANGLES ±. | | DWN LESSON.LL 02AUG2007 CHK SUNNY.ZHAO 02AUG2007 APVD STEVEN.YAO PRODUCT SPEC 108-1973 APPLICATION SPEC 114-13038 WEIGHT CUSTOMER DRAWING | | Tyco Electronics Corporation Shanghai, P.R. China, 200233 NAME VERTICAL RECEPTACLE ASSEMBLY WITH GUIDES, PRESS-FIT, MULTI-BEAM XL SIZE CAGE CODE DRAWING NO. A100779C=6450551 RESTRICTED TO SCALE 2:1 SHEET 8 OF 8 REV H2 | |
|---------------------------|--|--|--|---|--|--|--|