

Absolute encoders - bus interfaces

Shaft with clamping or synchro flange

Multiturn encoder 13 bit ST / 12 bit MT, RS485-SLIN

GXM7W - SLIN



GXM7W with clamping flange

Features

- Encoder multiturn / SLIN
- Optical sensing
- Resolution: singleturn 13 bit, multiturn 12 bit
- Clamping flange or synchro flange
- SLIN fieldbus protocol
- Max. 8 bus users
- Bus access according to master/slave principle
- Permanent check of code continuity

Optional

- Integration of customer-specific RS485 protocols

Technical data - electrical ratings

Voltage supply	10...30 VDC
Reverse polarity protection	Yes
Consumption w/o load	≤50 mA (24 VDC)
Initializing time (typ.)	250 ms after power on
Interface	RS485-SLIN
Transmission rate	9.6...115 kBaud
User address	Coded by connection
Steps per turn	8192 / 13 bit
Number of turns	4096 / 12 bit
Absolute accuracy	±0.025°
Sensing method	Optical
Code	Binary
Code sequence	CCW default
Output circuit	RS485
Interference immunity	DIN EN 61000-6-2
Emitted interference	DIN EN 61000-6-4
Approval	UL approval / E63076

Technical data - mechanical design

Housing	ø58 mm
Shaft	ø10 mm (clamping flange) ø6 mm (synchro flange)
Flange	Clamping or synchro flange
Protection DIN EN 60529	IP 54 without shaft seal IP 65 with shaft seal
Operating speed	≤10000 rpm (mechanical) ≤6000 rpm (electric)
Starting torque	≤0.015 Nm IP 54 ≤0.03 Nm IP 65
Rotor moment of inertia	20 gcm ²
Admitted shaft load	≤20 N axial ≤40 N radial
Materials	Housing: steel Flange: aluminium
Operating temperature	-25...+85 °C -40...+85 °C (optional)
Relative humidity	95 % non-condensing
Resistance	DIN EN 60068-2-6 Vibration 10 g, 16-2000 Hz DIN EN 60068-2-27 Shock 200 g, 6 ms
Weight approx.	400 g
E-connection	Connector or cable

Absolute encoders - bus interfaces

Shaft with clamping or synchro flange

Multiturn encoder 13 bit ST / 12 bit MT, RS485-SLIN

GXM7W - SLIN

Part number

GXM7W.

	10		
--	----	--	--

Interface

- 02 SLIN protocol 9.6 kBaud
- 03 SLIN protocol 115.2 kBaud
- 04 SLIN protocol 19.2 kBaud

E-connection

- A0 Connector M23, 12-pin, axial
- A1 Connector M23, 12-pin, radial
- 11 Cable 1 m, axial
- 21 Cable 1 m, radial

Flange / Shaft

- 0 Clamping flange / \varnothing 10 mm IP 54
- A Clamping flange / \varnothing 10 mm IP 65
- 1 Synchro flange / \varnothing 6 mm IP 54
- B Synchro flange / \varnothing 6 mm IP 65

Accessories

Connectors and cables

Z 130.001	Female connector M23, 12-pin, less cable
Z 130.003	Female connector M23, 12-pin, 2 m cable
Z 130.005	Female connector M23, 12-pin, 5 m cable
Z 130.007	Female connector M23, 12-pin, 10 m cable

Mounting accessories

Z 119.006	Eccentric fixing, single
Z 119.013	Adaptor plate for clamping flange for modification into synchro flange
Z 119.015	Mounting adaptor for synchro flange
Z 119.017	Mounting angle for clamping flange
Z 119.035	Bearing flange for encoders with synchro flange

Absolute encoders - bus interfaces

Shaft with clamping or synchro flange

Multiturn encoder 13 bit ST / 12 bit MT, RS485-SLIN

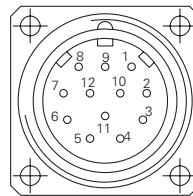
GXM7W - SLIN

Terminal significance

UB	Encoder voltage supply.							
GND	Encoder ground connection relating to UB.							
T,R IN	Serial data lines.							
T,R OUT	To avoid stub lines the data lines are guided outside on a pair of 2 wires. The arriving bus is on T,R+ IN and T,R- IN, the departing bus on T,R+ OUT und T,R-. If the encoder serves as bus termination or is the only user, only the pair of wires T,R+ IN and T,R- IN is utilized. Note: External connection of terminating resistor 150 Ω to final user.							
Ident 0...2	Ident 0...2 are utilized for setting the encoder addresses (identifiers). Less potential the inputs are internally against UB (=“1”) by pull-up resistors what equals address 1.							
Address no.	1	2	3	4	5	6	7	8
Ident 0	1	0	1	0	1	0	1	0
Ident 1	1	1	0	0	1	1	0	0
Ident 2	1	1	1	1	0	0	0	0

Terminal assignment

Connector	Core colour	Assignment
Pin 1	brown	UB
Pin 2	black	GND
Pin 3	blue	T,R+ IN
Pin 4	beige	Ident 0
Pin 5	green	T,R- OUT
Pin 6	yellow	Ident 1
Pin 7	violet	T,R- IN
Pin 8	brown/yellow	–
Pin 9	pink	T,R+ OUT
Pin 10	black/yellow	Ident 2
Pin 11	–	–
Pin 12	–	–



Please use cores twisted in pairs (for example T,R+ / T,R-) for extension cables of more than 10 m length.

Trigger level

SLIN-interface	Circuit
SLIN-Data	Linedriver RS485
Control inputs	Input circuit
Input level High	>0.7 UB
Input level Low	<0.3 UB
Input resistance	10 kΩ

Absolute encoders - bus interfaces

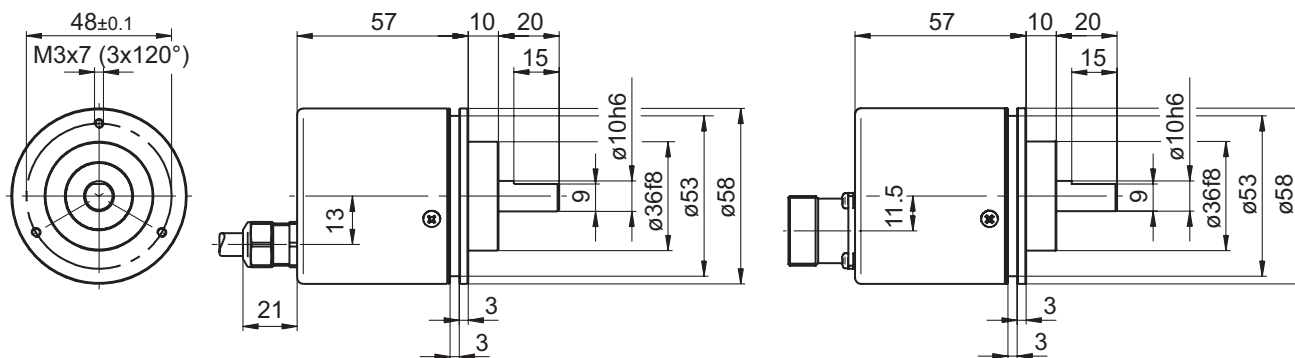
Shaft with clamping or synchro flange

Multiturn encoder 13 bit ST / 12 bit MT, RS485-SLIN

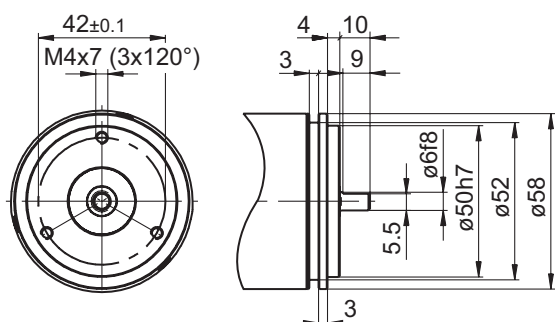
GXM7W - SLIN

Dimensions

GXM7W clamping flange



GXM7W synchro flange



GXM7W connector dimensions

