

PLEASE CHECK WWW.MOLEX.COM FOR LATEST PART INFORMATION

Part Number: [0359229002](#)
Status: **Active**
Overview: [mv396](#)
Description: 3.96mm (.156") Pitch Wire-to-Board Terminal

Documents:

[Drawing \(PDF\)](#) [Product Specification PS-35979-001 \(PDF\)](#)
[Product Specification PS-35978-001 \(PDF\)](#) [RoHS Certificate of Compliance \(PDF\)](#)

General

Product Family	Crimp Terminals
Series	35922
Crimp Quality Equipment	Yes
Overview	mv396
Product Name	MV-396™

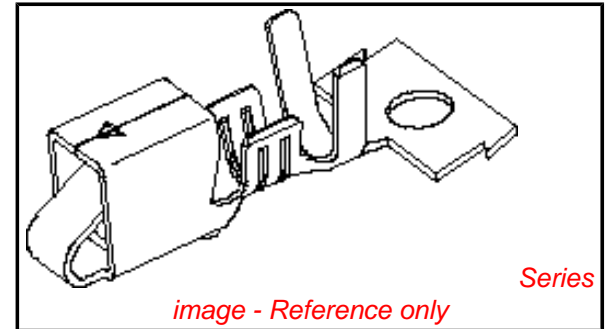
Physical

Gender	Female
Material - Metal	Brass
Material - Plating Mating	Tin
Material - Plating Termination	Tin
Packaging Type	Reel
Plating min: Mating (µin)	60
Plating min: Mating (µm)	1.5
Plating min: Termination (µin)	60
Plating min: Termination (µm)	1.5
Termination Interface: Style	Crimp or Compression
Wire Insulation Diameter	3.00mm (.118") max.
Wire Size AWG	18, 20
Wire Size mm²	N/A

Material Info

Reference - Drawing Numbers

Packaging Specification	PK-35922-001
Product Specification	PS-35978-001, PS-35979-001
Sales Drawing	SD-35922-500



EU RoHS

**ELV and RoHS
Compliant**

REACH SVHC

Contains SVHC: No

Halogen-Free

Status

Halogen-Free

**Need more information on product
environmental compliance?**

Email productcompliance@molex.com
 For a multiple part number RoHS Certificate of
 Compliance, [click here](#)

Please visit the [Contact Us](#) section for any
 non-product compliance questions.

China RoHS



Search Parts in this Series

[35922Series](#)

Use With

[35977](#)

Application Tooling | [FAQ](#)

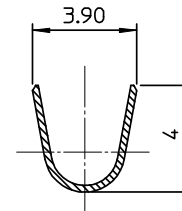
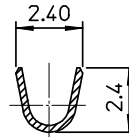
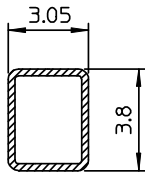
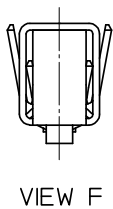
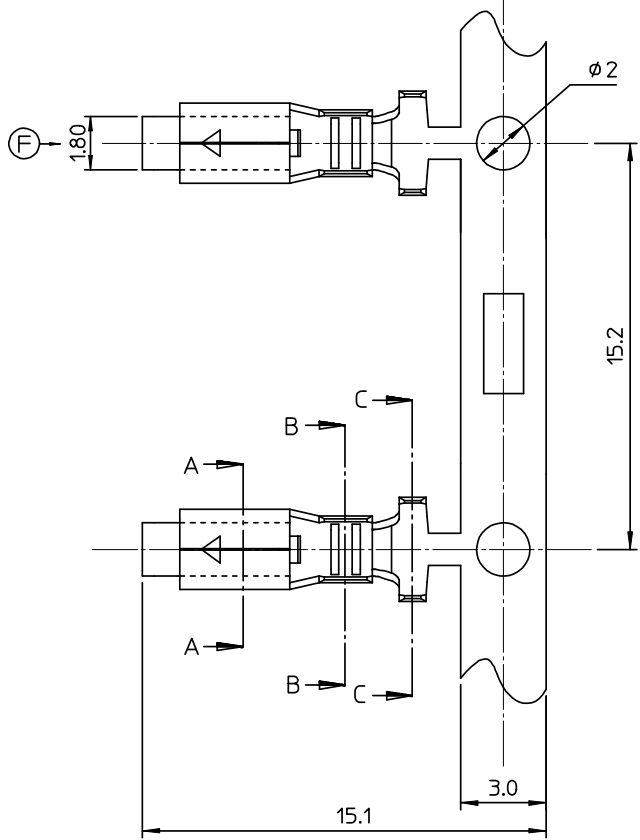
*Tooling specifications and manuals are
 found by selecting the products below.
 Crimp Height Specifications are then
 contained in the Application Tooling
 Specification document.*

Global

Description

Product #

T2 Terminator Die	0638557000
FineAdjust™ Applicator	0638657000



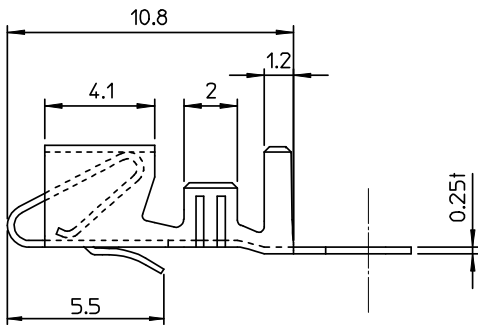
SECTION A-A

SECTION B-B

SECTION C-C

NOTES

1. MATERIAL : BRASS or PHOSPHOR BRONZE
2. FINISHES : PRE-TIN PLATED
3. PRODUCT SPECIFICATION : PS-35978-001
4. APPLIED HOUSING : 35977-**0*



TABLE

359228011	35922-8011	PHOSPHOR BRONZE
359229002	35922-9002	BRASS
MAT'L NO.	ENG NO.	MATERIAL

REVISED EC NO: KOR2008-0186 DRWN:SKHAN01 2008/05/26 CHKD:WY. YANG 2008/05/26 APPR: YUNSIKKIM 2008/05/26	DESCRIPTION REV	QUALITY SYMBOLS	GENERAL TOLERANCES (UNLESS SPECIFIED)		DIMENSION STYLE MM ONLY		SCALE 5:1	DESIGN UNITS METRIC	THIRD ANGLE PROJECTION			
		$\nabla=0$ $\nabla C=0$	mm	INCH	DRAWN BY YURIWI	DATE 1999/05/09	TITLE 3.96 PITCH W-T-B CONN. TERMINAL					
		4 PLACES \pm ---	\pm ---	3 PLACES \pm ---	\pm ---	CHECKED BY J. K. OH						DATE 1999/05/09
			2 PLACES \pm ---	\pm ---	1 PLACE ± 0.2	\pm ---	APPROVED BY CWLEE	DATE 1999/05/09	MOLEX INCORPORATED DOCUMENT NO. SD-35922-500 SHEET NO. 1 OF 1			
		DRAFT WHERE APPLICABLE MUST REMAIN WITHIN DIMENSIONS		ANGULAR $\pm 2^\circ$		MATERIAL NO.		SEE TABLE				
		SIZE A3		THIS DRAWING CONTAINS INFORMATION THAT IS PROPRIETARY TO MOLEX INCORPORATED AND SHOULD NOT BE USED WITHOUT WRITTEN PERMISSION								