

# AS85049/37 EMI/RFI Non-Environmental Backshells



EMI/RFI  
Non-Env.  
Backshells

Glenair Connector  
Designator F

MIL-DTL-38999 Series I & II,  
40M38277, PAN 6433-1,  
PATT 614, PATT 616,  
NFC93422 Series HE308 &  
HE309

**M85049/37 10 W 03 L**

Basic Part No. \_\_\_\_\_  
Shell Size \_\_\_\_\_  
Finish \_\_\_\_\_  
D = 3 Drain Holes  
L = Encapsulating Hole  
Clamp Size \_\_\_\_\_  
N = Electroless Nickel  
W = 1,000 Hr. Cadmium Olive Drab  
Over Electroless Nickel

**TABLE I**

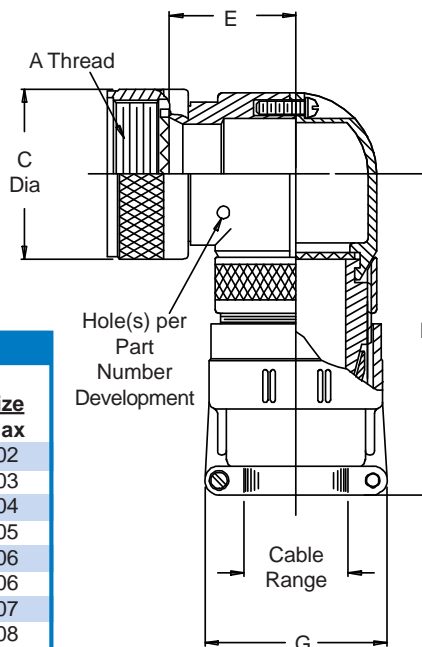
Shell Size			
Shell Size	Series I Ref.	A Thread Class 2B	C Dia Max
8	09	.438 - 28 UNEF	.65 (16.5)
10	11	.562 - 24 UNEF	.77 (19.6)
12	13	.688 - 24 UNEF	.89 (22.6)
14	15	.813 - 20 UNEF	1.02 (25.9)
16	17	.938 - 20 UNEF	1.15 (29.2)
18	19	1.063 - 18 UNEF	1.23 (31.2)
20	21	1.188 - 18 UNEF	1.36 (34.5)
22	23	1.313 - 18 UNEF	1.48 (37.6)
24	25	1.438 - 18 UNEF	1.73 (43.9)

**TABLE II**

Shell Size						
Shell Size	Series I Ref.	E Max	F Max	Clamp Size		
8	09	.72 (18.3)	2.50 (63.5)	01	02	
10	11	.72 (18.3)	2.50 (63.5)	01	03	
12	13	.80 (20.3)	2.56 (65.0)	02	04	
14	15	.85 (21.6)	2.69 (68.3)	02	05	
16	17	.91 (23.1)	2.81 (71.4)	02	06	
18	19	1.00 (25.4)	3.03 (77.0)	03	06	
20	21	1.05 (26.7)	3.19 (81.0)	03	07	
22	23	1.10 (27.9)	3.31 (84.1)	03	08	
24	25	1.20 (30.5)	3.31 (84.1)	04	09	

**TABLE III**

Clamp Size	Cable Range		G Max
	Min	Max	
01	.062 (1.6)	.125 (3.2)	.781 (19.8)
02	.125 (3.2)	.250 (6.4)	.969 (24.6)
03	.250 (6.4)	.375 (9.5)	1.062 (27.0)
04	.312 (7.9)	.500 (12.7)	1.156 (29.4)
05	.437 (11.1)	.625 (15.9)	1.250 (31.8)
06	.562 (14.3)	.750 (19.1)	1.375 (34.9)
07	.687 (17.4)	.875 (22.2)	1.500 (38.1)
08	.812 (20.6)	1.000 (25.4)	1.625 (41.3)
09	.937 (23.8)	1.125 (28.6)	1.750 (44.5)
10	1.062 (27.0)	1.250 (31.8)	1.875 (47.6)



1. For complete dimensions see applicable Military Specification.
2. Metric dimensions (mm) are indicated in parentheses.
3. Cable range is defined as the accommodation range for the wire bundle or cable. Dimensions shown are not intended for inspection criteria.