

# Customer Information Sheet

DRAWING No.: M50-350XXXX

SHEET 2 OF 2

IF IN DOUBT - ASK

©

NOT TO SCALE

THIRD ANGLE PROJECTION

ALL DIMENSIONS IN mm

**NOTES:**

1. ALL TOLERANCES ARE  $\pm 0.25$  UNLESS OTHERWISE STATED.
2. RECOMMENDED HOLE SIZE =  $\varnothing 0.70 \pm 0.05$ mm.

**SPECIFICATION:**

**MATERIAL:**

MOULDING = HIGH TEMP THERMOPLASTIC UL94V-0, BLACK

CONTACT = HIGH STRENGTH COPPER ALLOY

**FINISH (CONTACT):**

42 = 0.15 - 0.08 $\mu$  GOLD ON CONTACT AREA,

2.5 - 3.0 $\mu$  100% TIN ON TAILS,

ALL OVER 0.70 - 1.3 $\mu$  NICKEL

45 = 0.15 - 0.08 $\mu$  GOLD OVER 0.70 - 1.3 $\mu$  NICKEL

**ELECTRICAL:**

CURRENT RATING (ALL CONTACTS ARE ELECTRICALLY LOADED) = 1A MAX

CONTACT RESISTANCE = 30 m $\Omega$  MAX

INSULATION RESISTANCE = 1,000 M $\Omega$  MIN

DIELECTRIC STRENGTH = 500V AC/DC

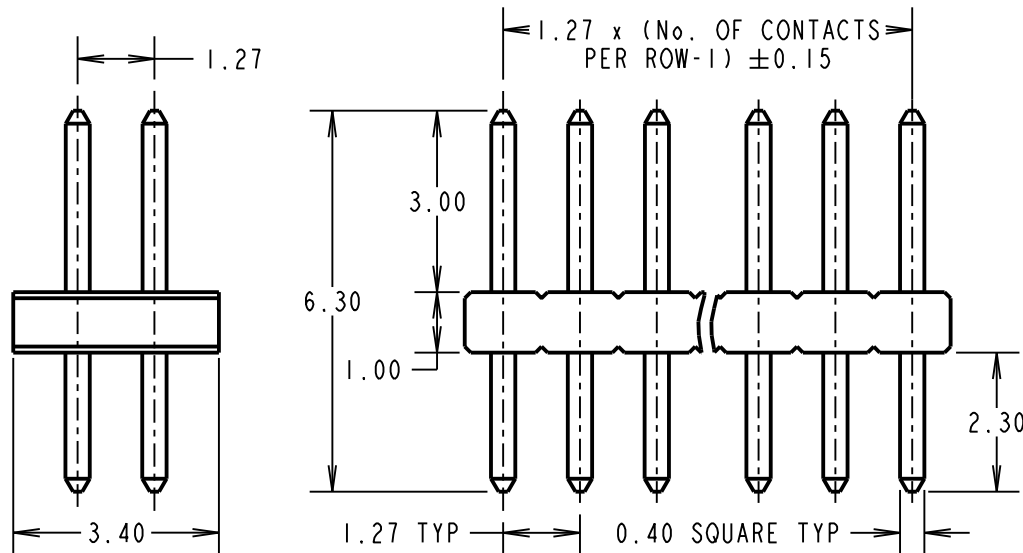
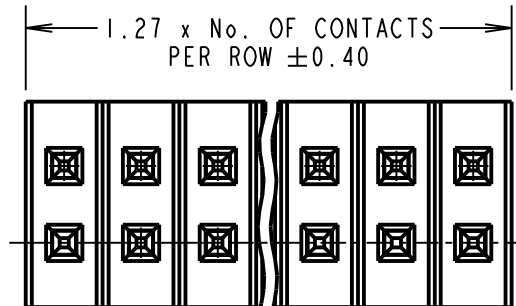
**MECHANICAL:**

DURABILITY = 600 OPERATIONS

**ENVIRONMENTAL:**

TEMPERATURE RANGE = -40°C TO +105°C

FOR COMPLETE SPECIFICATION, SEE COMPONENT SPECIFICATION C029XX (LATEST ISSUE)



ORDER CODE:

**M50-350XXXX**

No. OF CONTACTS PER ROW  
01 TO 50

**FINISH:**

42 = SELECTIVE GOLD + 100% TIN  
45 = GOLD

MGP	11	18.10.12	11849
NAME	ISS.	DATE	C/NOTE
APPROVED: MGP			
CHECKED: SF			
DRAWN: W. J. BOURNE			
CUSTOMER REF.:			
ASSEMBLY DRG:			

**HARWIN**

www.harwin.com  
technical@harwin.com

THIS DRAWING AND ANY INFORMATION OR DESCRIPTIVE MATTER SET OUT HEREON ARE CONFIDENTIAL AND COPYRIGHT PROPERTY OF THE HARWIN GROUP AND MUST NOT BE DISCLOSED, LOANED, COPIED OR USED FOR MANUFACTURING, TENDERING OR FOR ANY OTHER PURPOSE WITHOUT THEIR WRITTEN PERMISSION.

**TOLERANCES**  
X =  $\pm 1$ mm  
X.X =  $\pm 0.25$ mm  
X.XX =  $\pm 0.10$ mm  
X.XXX =  $\pm 0.01$ mm  
ANGLES =  $\pm 5^\circ$   
UNLESS STATED

**MATERIAL:**  
SEE ABOVE  
**FINISH:** SEE ABOVE  
**S/AREA:** mm<sup>2</sup>

**TITLE:**  
1.27mm PITCH DIL VERTICAL PIN HEADER  
**DRAWING NUMBER:**  
**M50-350XXXX**  
SHT 2 OF 2