

FEATURES

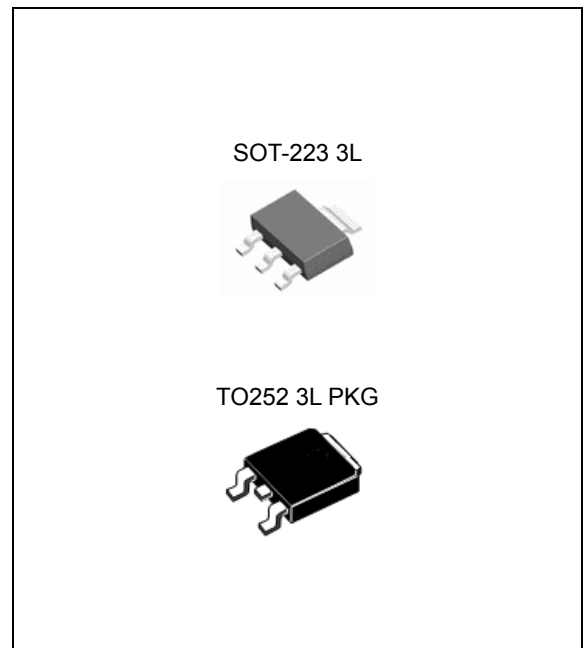
- Ultra Low Dropout Voltage
- Compatible with low ESR MLCC as Input/Output Capacitor
- Good Line and Load Regulation
- Guaranteed Output Current of 1A
- Available in SOT-223 and TO-252 Packages
- Fixed Output Voltages : 1.0V, 1.2V, 1.8V, 2.5V, and 3.3V
- Over-Temperature/Over-Current Protection
- -40 °C to 125 °C Junction Temperature Range

APPLICATION

- LCD TVs and SETTOP Boxes
- Battery Powered Equipments
- Motherboards and Graphic Cards
- Microprocessor Power Supplies
- Peripheral Cards
- High Efficiency Linear Regulators
- Battery Chargers

DESCRIPTION

The TJ4940 series of high performance ultra-low dropout linear regulators operates from 2.5V to 6V input supply and provides ultra-low dropout voltage, high output current with low ground current. Wide range of preset output voltage options are available. These ultra-low dropout linear regulators respond fast to step changes in load which makes them suitable for low voltage micro-processor applications. The TJ4940 is developed on a CMOS process technology which allows low quiescent current operation independent of output load current. This CMOS process also allows the TJ4940 to operate under extremely low dropout conditions.



ORDERING INFORMATION

Device	Package
TJ4940xS-X.X	SOT-223 3L
TJ4940GRS-X.X	TO-252 3L

X.X = Output Voltage = 1.0, 1.2, 1.8, 2.5, and 3.3

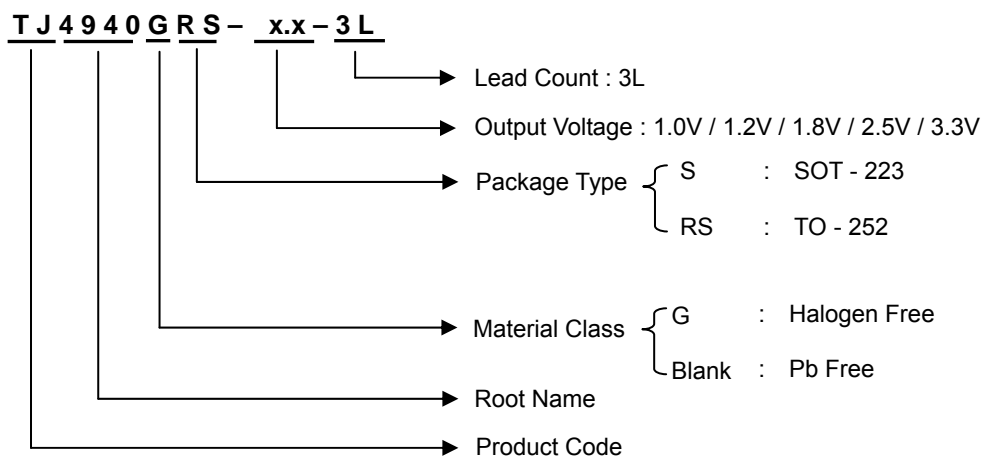
Absolute Maximum Ratings

CHARACTERISTIC	SYMBOL	MIN.	MAX.	UNIT
Input Supply Voltage (Survival)	V_{IN}	-	6.5	V
Maximum Output Current	I_{MAX}	-	1	A
Lead Temperature (Soldering, 5 sec)	T_{SOL}		260	°C
Storage Temperature Range	T_{STG}	-65	150	°C
Operating Junction Temperature Range	T_{JOPR}	-40	125	°C

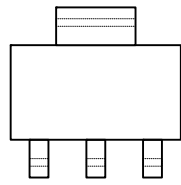
* Calculated from package in still air, mounted to 2.6mm X 3.5mm(minimum foot print) 2 layer PCB without thermal vias per JESD51 standards.

Ordering Information

V _{OUT}	Package	Order No.	Description	Package Marking	Status
1.0V	SOT-223 3L	TJ4940S-1.0	1A	4940-1.0	Contact Us
	TO-252 3L	TJ4940GRS-1.0-3L	1A	TJ4940G-1.0	Contact Us
1.2V	SOT-223 3L	TJ4940S-1.2	1A	4940-1.2	Contact Us
	TO-252 3L	TJ4940GRS-1.2-3L	1A	TJ4940G-1.2	Contact Us
1.8V	SOT-223 3L	TJ4940S-1.8	1A	4940-1.8	Contact Us
	TO-252 3L	TJ4940GRS-1.8-3L	1A	TJ4940G-1.8	Contact Us
2.5V	SOT-223 3L	TJ4940S-2.5	1A	4940-2.5	Contact Us
	TO-252 3L	TJ4940GRS-2.5-3L	1A	TJ4940G-2.5	Contact Us
3.3V	SOT-223 3L	TJ4940S-3.3	1A	4940-3.3	Contact Us
	TO-252 3L	TJ4940GRS-3.3-3L	1A	TJ4940G-3.3	Contact Us

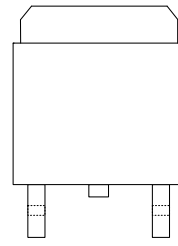


PIN CONFIGURATION



GND VOUT VIN

SOT-223



GND VOUT VIN

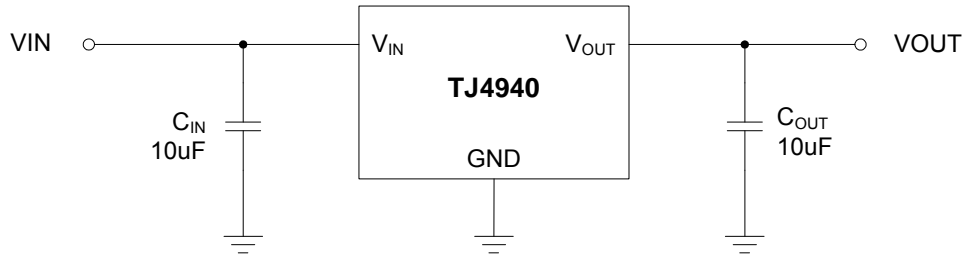
TO-252-3L

PIN DESCRIPTION

Pin No.	SOT 223 / TO 252 3 LEAD	
	Name	Function
1	GND	Ground
2	VOUT	Output Voltage
3	VIN	Input Voltage

BASIC APPLICATION

Typical 3 Pin Application



* See Application Information.

ELECTRICAL CHARACTERISTICS (Note 1)

Limits in standard typeface are for $T_J=25^\circ\text{C}$, and limits in **boldface type** apply over the **full operating temperature range**.
 Unless otherwise specified: $V_{IN}^{(Note\ 2)} = V_{O(NOM)} + 1\text{ V}$, $I_L = 10\text{ mA}$, $C_{IN} = 10\text{ }\mu\text{F}$, $C_{OUT} = 10\text{ }\mu\text{F}$, $V_{EN} = V_{IN} - 0.3\text{ V}$

PARAMETER	SYMBOL	TEST CONDITION	MIN.	TYP.	MAX.	UNIT
Output Voltage Tolerance	V_O	$V_{OUT}+1\text{ V} < V_{IN} < 5.5\text{ V}$	-2 -3	0	2 3	%
Line Regulation ^(Note 1)	ΔV_{LINE}	$V_{OUT}+1\text{ V} < V_{IN} < 5.5\text{ V}$	-	0.15	- 0.40	%/V
Load Regulation ^(Note 1, 2)	ΔV_{LOAD}	$10\text{ mA} < I_L < 1\text{ A}$	-	0.20	0.50 0.60	%
Dropout Voltage ^(Note 3)	V_{DROP}	$I_L = 100\text{ mA}$	-	45	55 65	mV
		$I_L = 1\text{ A}$	-	400	500 600	
Ground Pin Current ^(Note 4)	I_{GND}	$I_L = 100\text{ mA}$	-	0.40	0.6 1.0	mA
		$I_L = 1\text{ A}$	-	0.40	0.6 1.0	
Power Supply Rejection Ratio	PSRR	$f = 1\text{ kHz}$	-	55	-	dB
Thermal Shutdown Temperature	T_{SD}	-	-	165	-	$^\circ\text{C}$
Thermal Shutdown Hysteresis	ΔT_{SD}	-	-	10	-	$^\circ\text{C}$

Note 1. Output voltage line regulation is defined as the change in output voltage from the nominal value due to change in the input line voltage.

Output voltage load regulation is defined as the change in output voltage from the nominal value due to change in load current.

Note 2. Regulation is measured at constant junction temperature by using a 10ms current pulse. Devices are tested for load regulation in the load range from 10mA to 1A.

Note 3. Dropout voltage is defined as the minimum input to output differential voltage at which the output drops 2% below the nominal value.

Dropout voltage specification applies only to output voltages of 2.5V and above. For output voltages below 2.5V, the dropout voltage is nothing but the input to output differential, since the minimum input voltage is 2.5V

Note 4. Ground current, or quiescent current, is the difference between input and output currents. It's defined by $I_{GND1} = I_{IN} - I_{OUT}$ under the given loading condition. The total current drawn from the supply is the sum of the load current plus the ground pin current.

APPLICATION INFORMATION

Maximum Output Current Capability

The TJ4940 can deliver a continuous current of 1A over the full operating junction temperature range. However, the output current is limited by the restriction of power dissipation which differs from packages. A heat sink may be required depending on the maximum power dissipation and maximum ambient temperature of application. With respect to the applied package, the maximum output current of 1A may be still undeliverable due to the restriction of the power dissipation of TJ4940. Under all possible conditions, the junction temperature must be within the range specified under operating conditions. The temperatures over the device are given by:

$$T_C = T_A + P_D \times \theta_{CA} \quad / \quad T_J = T_C + P_D \times \theta_{JC} \quad / \quad T_J = T_A + P_D \times \theta_{JA}$$

where T_J is the junction temperature, T_C is the case temperature, T_A is the ambient temperature, P_D is the total power dissipation of the device, θ_{CA} is the thermal resistance of case-to-ambient, θ_{JC} is the thermal resistance of junction-to-case, and θ_{JA} is the thermal resistance of junction to ambient.

The total power dissipation of the device is given by:

$$P_D = P_{IN} - P_{OUT} = (V_{IN} \times I_{IN}) - (V_{OUT} \times I_{OUT}) \\ = (V_{IN} \times (I_{OUT} + I_{GND})) - (V_{OUT} \times I_{OUT}) = (V_{IN} - V_{OUT}) \times I_{OUT} + V_{IN} \times I_{GND}$$

where I_{GND} is the operating ground current of the device which is specified at the Electrical Characteristics. The maximum allowable temperature rise (T_{Rmax}) depends on the maximum ambient temperature (T_{Amax}) of the application, and the maximum allowable junction temperature (T_{Jmax}):

$$T_{Rmax} = T_{Jmax} - T_{Amax}$$

The maximum allowable value for junction-to-ambient thermal resistance, θ_{JA} , can be calculated using the formula:

$$\theta_{JA} = T_{Rmax} / P_D = (T_{Jmax} - T_{Amax}) / P_D$$

TJ4940 is available in SOT-223, and TO-252 packages. The thermal resistance depends on amount of copper area or heat sink, and on air flow. If the maximum allowable value of θ_{JA} calculated above is as described in Table 1, no heat sink is needed since the package can dissipate enough heat to satisfy these requirements. If the value for allowable θ_{JA} falls near or below these limits, a heat sink or proper area of copper plane is required.

Table. 1. Absolute Maximum Ratings of Thermal Resistance
No heat sink / No air flow / No adjacent heat source / $T_A = 25^\circ\text{C}$

Characteristic	Symbol	Rating	Unit
Thermal Resistance Junction-To-Ambient / SOT-223	$\theta_{JA-SOT223}$	140	$^\circ\text{C/W}$
Thermal Resistance Junction-To-Ambient / TO-252	$\theta_{JA-TO252}$	105	$^\circ\text{C/W}$

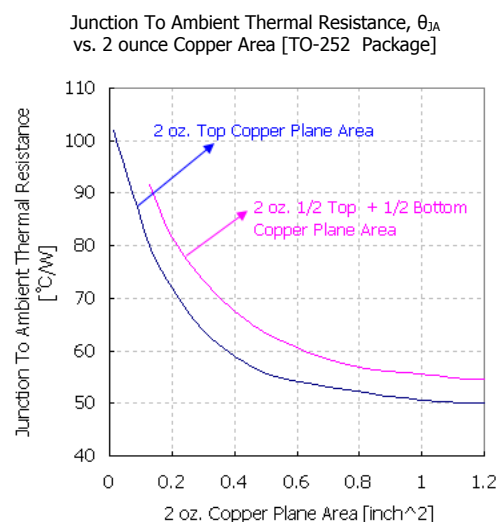
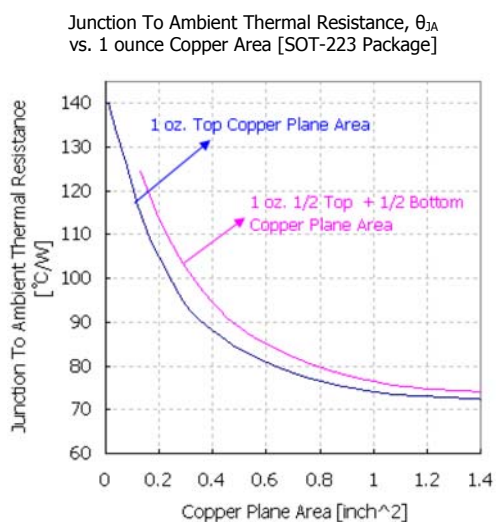
In case that there is no cooling solution and no heat sink / minimum copper plane area for heat sink, the maximum allowable power dissipation of each package is as follow;

Characteristic	Symbol	Rating	Unit
Maximum Allowable Power Dissipation at $T_A=25^\circ\text{C}$ / SOT-223	$P_{DMax-SOT223}$	0.714	W
Maximum Allowable Power Dissipation at $T_A=25^\circ\text{C}$ / TO-252	$P_{DMax-TO252}$	0.952	W

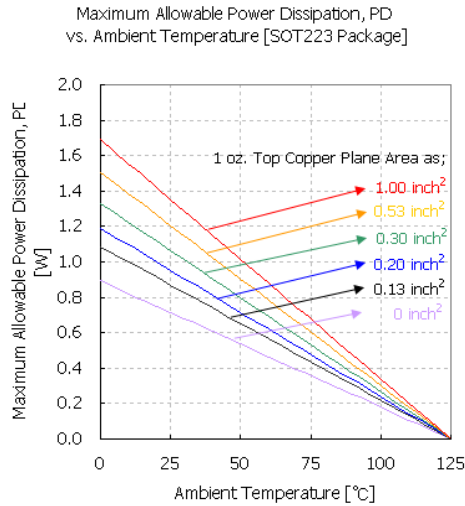
- Please note that above maximum allowable power dissipation is based on the minimum copper plane area which does not exceed the proper footprint of the package. And the ambient temperature is 25°C .

If proper cooling solution such as heat sink, copper plane area, air flow is applied, the maximum allowable power dissipation could be increased. However, if the ambient temperature is increased, the allowable power dissipation would be decreased.

For example, in case of SOT-223 and TO-252 package, $\theta_{JA-SOT223}$ is 140°C/W and $\theta_{JA-TO252}$ is 105°C/W , however, as shown in below graph, θ_{JA} could be decreased with respect to the copper plane area. So, the specification of maximum power dissipation for an application is fixed, the proper copper plane area could be estimated by following graphs. As shown in graph, wider copper plane area leads lower θ_{JA} .



The maximum allowable power dissipation is also influenced by the ambient temperature. With the above θ_{JA} -Copper plane area relationship, the maximum allowable power dissipation could be evaluated with respect to the ambient temperature. As shown in graph, the higher copper plane area leads θ_{JA} . And the higher ambient temperature leads lower maximum allowable power dissipation.



All this relationship is based on the aforesaid equation ; $\theta_{JA} = T_{Rmax} / P_D = (T_{Jmax} - T_{Amax}) / P_D$.

T.B.D