



### Model Number

#### ODZ-MAC335-TRIGBOX

Trigger box for fixed mounted readers

### Features

- Trigger function
- Separate RS 232 connection
- Degree of protection IP40

### Accessories

#### ODZ-MAC-PWR-24V

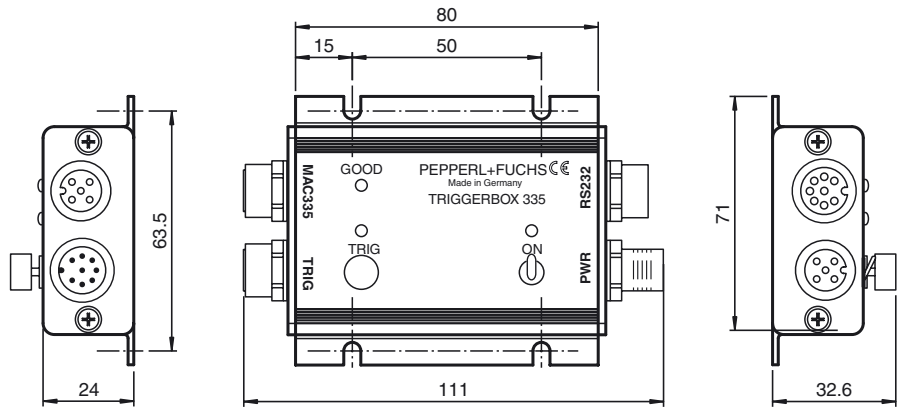
24 V DC power supply

#### V15S-G-0,5M-PUR-ABG-SUBD9

#### V19-G-BK1,5M-PUR-U/ABG-V19-G

Connection cable, M12, shielded

### Dimensions



### Technical data

#### Indicators/operating means

Operation indicator	Power on LED green
Function indicator	Trigger LED yellow
Status indicator	Good LED yellow
Key	Trigger
Toggle switch	ON/OFF switch:

#### Electrical specifications

Operating voltage	$U_B$	24 V DC $\pm$ 15 % SELV
Operating current	$I_B$	max. 50 mA

#### Interface

Physical	1 x RS 232
Protocol	ASCII
Transfer rate	9600 Bit/s ... 115200 Bit/s

#### Input

Input voltage	24 V DC $\pm$ 5 %
Number/Type	1 input for 2- or 3- wire sensors (PNP), DC
Input current	approx. 10 mA at 24 V DC

#### Ambient conditions

Ambient temperature	0 ... 60 °C (32 ... 140 °F)
Storage temperature	-20 ... 70 °C (-4 ... 158 °F)

#### Mechanical specifications

Degree of protection	IP40
Connection	8-pin, M12x1 connector, standard (supply+IO) , 4-pin, M12x1 socket, (RS 232) , 4-pin, M12x1 socket, (Trigger) , 8-pin, M12x1 socket, (MAC335)

#### Material

Housing	black anodized aluminum
Mass	approx. 139 g

#### General information

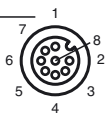
Scope of delivery	24 V DC power supply ; Adapter cable, M12 x 1, to sub-D, 9-pin ; Connection cable, M12 to M12, PUR cable 8-pin
-------------------	---

#### Compliance with standards and directives

Directive conformity	
EMC Directive 89/336/EEC	EN 61326, EN 61000-6-4
Standard conformity	
Noise immunity	EN 61326:2002-03
Degree of protection	EN 60529

**Electrical connection**

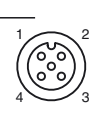
**MAC335**



Pin      Signal

- 1      TRIGGER
- 2      +UB
- 3      RX RS232
- 4      24 V I/O
- 5      GND I/O
- 6      GOOD
- 7      GND
- 8      TX RS232

**RS232**



Pin      Signal

- 1      NC
- 2      TX RS232
- 3      GND
- 4      RX RS232

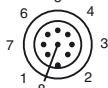
**TRIG**



Pin      Signal

- 1      +UB
- 2      NC
- 3      GND
- 4      TRIGGER

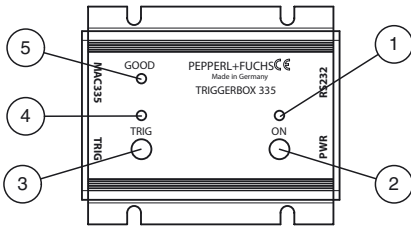
**PWR**



Pin      Signal

- 1      TRIGGER
- 2      +UB
- 3      RX RS232
- 4      24 V I/O
- 5      GND I/O
- 6      GOOD
- 7      GND
- 8      TX RS232

**Indicators / operating means**



1	Operating indicator	green
2	ON/OFF switch	
3	Trigger button	
4	Trigger function indicator	yellow
5	Status indication: GOOD	yellow