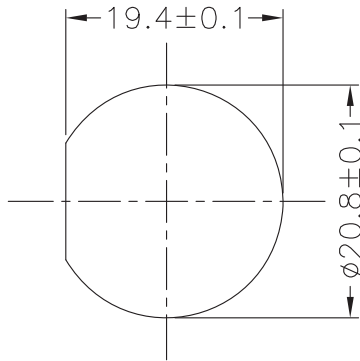
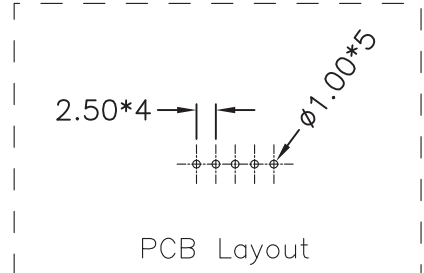


Material:

- Waterproof Rate: IP67
- Body: ABS 94V-0, Black
- USB B: Female solder type, gold plated
- Gasket: EPDM, Black
- Panel Nut: Nylon + GF, Black
- Housing: 5pin, PH=2.50mm
- Terminal: Phosphor bronze, tin-plated
- Cable: USB2.0 28AWG*1P+24AWG*2C+AL/My+D+B
 - Black PVC jacket resist UV, OD=5.0
- * Use with waterproof cap or dust cap
 - for panel thickness Max: 2.8mm
- * Use without waterproof cap or dust cap
 - for panel thickness Max: 4.0mm



Pin Out	Wire Color	Conn.
5	Drain	Shield
4	Black 24AWG	4
3	Green 28AWG	3
2	White 28AWG	2
1	Red 24AWG	1

Unit: mm



Scale	Free
TOLERANCE	
X.	±0.5
X.X	±X
X.XX	±X
DIM	TOL
X.°	±X°
X.X°	±X°
Angle	TOL

Id.	Modification	Date	Name
②	Revised part number	11.07.13	Wilson
①	Updated all information	12.03.13	Wilson



Title	
Waterproof USB2.0 panel mount B type, Male to Male wafer, .05 meter	
ASSMANN WSW-No.	
A-USB-BPFS	
Drawing-No.	rev02
Replace	Sheet 1/1