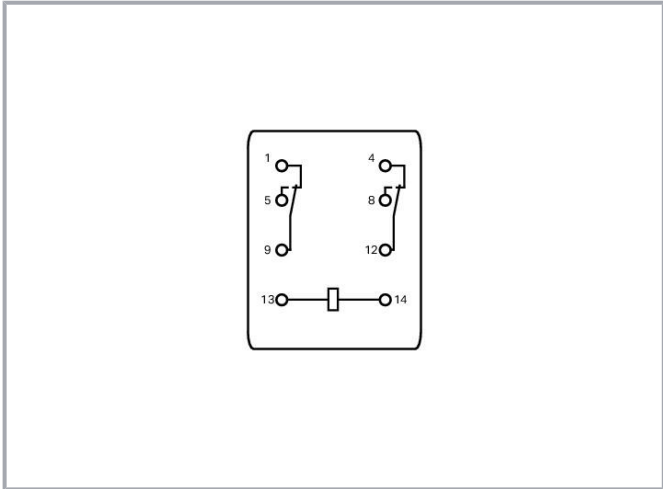


Data sheet | Item number: 858-184

Basic relay; Nominal input voltage: 220 VDC; 2 changeover contacts;
Limiting continuous current: 12 A; with manual operation; Module width: 22
mm



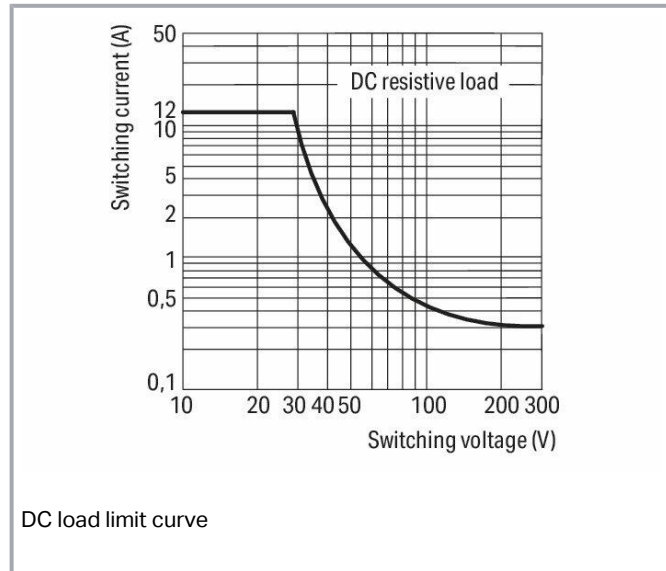
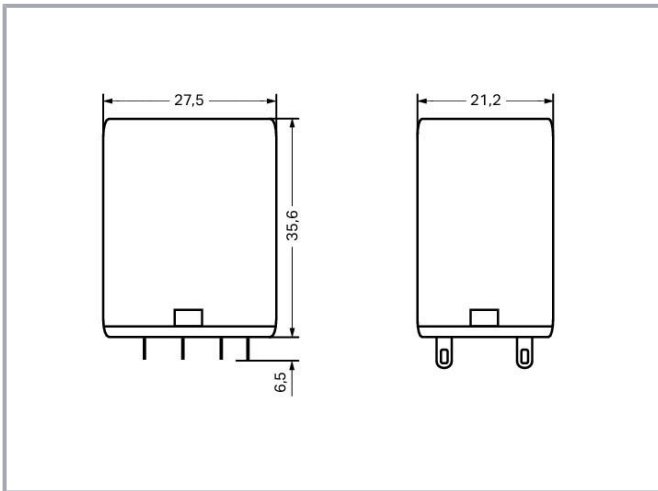
www.wago.com/858-184



Subject to changes. Please also observe the further product documentation!

WAGO Kontakttechnik GmbH & Co. KG
Hansastr. 27
32423 Minden
Phone: +49571 887-0 | Fax: +49571 887-169
Email: info.de@wago.com | Web: www.wago.com

Do you have any questions about our products?
We are always happy to take your call at +49 (571) 887-44222.



Data

Technical data

Control circuit

Nominal input voltage U_N	DC 220 V
Nominal input current at U_N	4.1 mA

Load circuit

Number of changeover/switchover contacts	2
Contact material (relay)	AgNi
Limiting continuous current	12 A
Inrush current (resistive) (max.)	(AC) 24 A / 4 s
Switching voltage (max.)	AC 250 V
Switching power (resistive) (max.)	AC 3000 VA; DC (see load limit curve)
Switching capacity	AC-15: 1.5 A / AC 240 V; DC-13: 0.1 A / DC 250 V
Recommended minimum load	10 V / 5 mA / 300 mW
Pull-in time (typ.)	13 ms
Drop-out time (typ.)	3 ms
Electrical life (NO; resistive load; 23 °C)	100 x 10 ³ switching operations
Mechanical life	20 x 10 ⁶ switching operations
Switching frequency with/without load (max.)	

Subject to changes. Please also observe the further product documentation!

20 min⁻¹ / 200 min⁻¹

Signaling

Status indicator	Red LED Mechanical
------------------	-----------------------

Safety and protection

Dielectric strength, control/load circuit (AC, 1 min)	2.5 kVrms
Dielectric strength, open contact (AC, 1 min)	1.5 kVrms
Dielectric strength, load/load circuit (AC, 1 min)	2.5 kVrms
Protection type	IP20

Physical data

Width	21.2 mm / 0.835 inch
Height from the surface	35.6 mm / 1.402 inch
Depth	27.5 mm / 1.083 inch

Mechanical data

Mounting type	Pluggable module
---------------	------------------

Material data

Weight	31.5 g
--------	--------

Environmental requirements

Surrounding air temperature (operation at U _N)	-40 ... 70 °C
Surrounding air temperature (storage)	-40 ... 85 °C

Standards and specifications

Standards/Specifications	EN 61810-1
--------------------------	------------

Commercial data

PU (SPU)	3 Each
Packaging type	box
Country of origin	DE
GTIN	4055143693288

Subject to changes. Please also observe the further product documentation!



Customs tariff number

85364900990

Downloads

Documentation

Bid Text

858-184 X81 - Datei	2020. 8. 24.	xml 4.8 kB	Download
------------------------	--------------	---------------	----------

858-184 docx - Datei	2020. 8. 24.	docx 14.8 kB	Download
-------------------------	--------------	-----------------	----------

Additional Information

Disposal; Electrical and electronic equipment, Packaging	V 1.0.0	pdf 265.8 kB	Download
--	---------	-----------------	----------

CAD/CAE-Data

CAD data

2D/3D Models 858-184	URL	Download
----------------------	-----	----------

CAE data

ZUKEN Portal 858-184	URL	Download
----------------------	-----	----------

EPLAN Data Portal 858-184	URL	Download
---------------------------	-----	----------

Environmental Product Compliance

Compliance Search

Environmental Product Compliance 858-184	URL	Download
--	-----	----------

Basic relay; Nominal input voltage: 220 VDC; 2 changeover contacts; Limiting continuous current: 12 A; with manual operation; Module width: 22 mm

Installation Notes

Subject to changes. Please also observe the further product documentation!