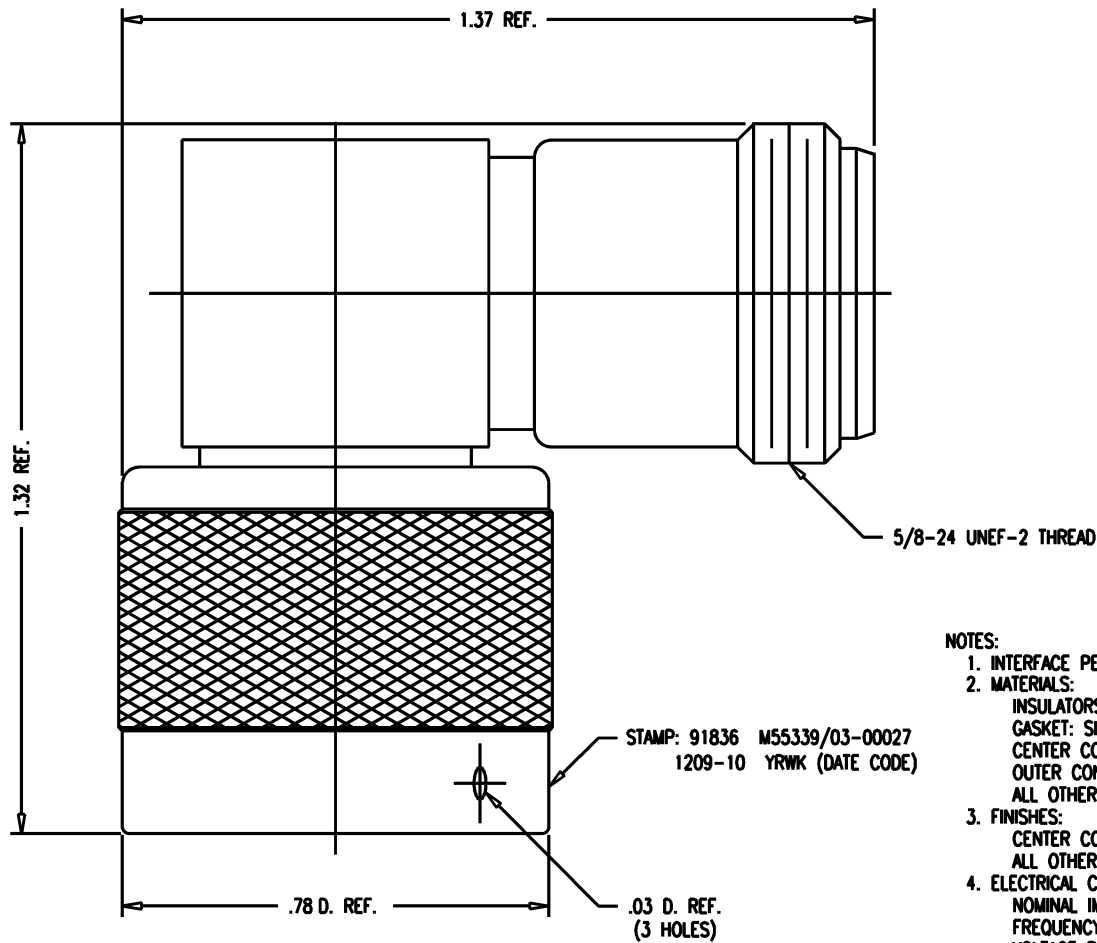


# SD



**NOTES:**

1. INTERFACE PER MIL-STD-348, FIG. 304-1 AND 304-2.
2. MATERIALS:  
 INSULATORS: TEFLON, ASTM-D-4894  
 GASKET: SIL. RUBBER, ZZ-R-765  
 CENTER CONTACT: BER. COPPER, ASTM-B-196  
 OUTER CONTACT AND C-RING: PHOS. BRONZE, ASTM-B-103  
 ALL OTHER METAL PARTS: BRASS, ASTM-B16
3. FINISHES:  
 CENTER CONTACT: GOLD PLATE PER MIL-G-45204  
 ALL OTHER METAL PARTS: SILVER PLATE PER QQ-S-365
4. ELECTRICAL CHARACTERISTICS  
 NOMINAL IMPEDANCE: 50  $\sim$ W  
 FREQUENCY RANGE: DC TO 11 GHz  
 VOLTAGE RATING: 1000 VOLTS RMS

M55339/03-00027

REVISIONS	
ISSUE	CHANGES
4	CN 23170 E MA 03/19/82
5	CN 26561 D EAJ 11/16/84
6	CN 33445 E JCA 05/27/92
7	CN 35618 D KH 01/09/95
8	CN 37805 C REDRAWN TML 04/09/99
9	CN 37832 C TML 05/19/99
10	CN 38101 C TML 10/23/00

1209-10 1209-10S

SCALE : 4:1			
APPROX SURFACE AREA			
USED ON			
REF:			
ADAPTER, N, M-F			
DRAWN	JEP	DATE	12/03/82
DESIGN		DATE	
APPR.	MJB	DATE	12/06/82

**KINGS**  
 ELECTRONICS CO., INC.  
 ROCK HILL, SOUTH CAROLINA 29730

M55339/03-00027

# SD