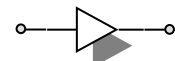


Features

- $S_{21} = 35.06 \text{ dB @ } 840 \text{ MHz}$
= 34.94 dB @ 845 MHz
- NF of 6.5 dB over Frequency
- Unconditionally Stable
- Single 5V Supply
- High OIP3 @ Low Current

Description

The plerow™ APM-Series is an internally matched amplifier mini-module for such application band in SMD package with the output P1dB of 29 dBm. It is compactly designed for low current consumption and high OIP3. Integrating all the components for biasing and matching within the module enhances production yield and throughput as well. It passes through the stringent DC, RF, and reliability tests. Not sample test but 100% quality control test is made before packing.



1-stage Single Type

Specifications (in Production)

Typ. @ T = 25°C, $V_s = 5 \text{ V}$, Freq. = 842.5 MHz, $Z_{o,sys} = 50 \text{ ohm}$

Parameter	Unit	Specifications		
		Min	Typ	Max
Frequency Range	MHz	840		845
Gain	dB	34.0	35.0	
Gain Flatness	dB		± 0.06	± 0.1
Noise Figure	dB		6.5	7.0
Output IP3 ⁽¹⁾	dBm	45.5	48.5	
S11 / S22 ⁽²⁾	dB			-20 / -10
Output P1dB	dBm	29	30	
Switching Time ⁽³⁾	µsec		-	
Supply Current	mA		380	400
Supply Voltage	V		5	
Impedance	Ω		50	
Max. RF Input Power	dBm	C.W 23 ~ 25 (before fail)		
Package Type & Size	mm	Surface Mount Type, 10Wx10Lx3.8H		

More Information

Website: www.asb.co.kr
E-mail: sales@asb.co.kr
Tel: (82) 42-528-7223
Fax: (82) 42-528-7222

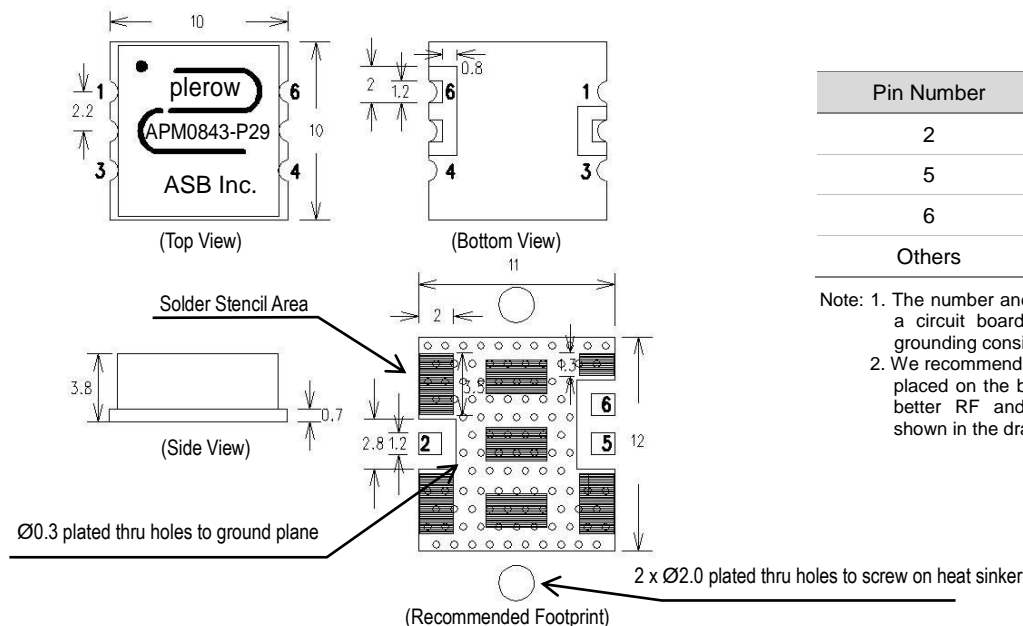
Operating temperature is -40°C to +85°C.

1) OIP3 is measured with two tones at an output power of 12 dBm / tone separated by 1 MHz.

2) S11/S22 (max) is the worst value within the frequency band.

3) Switching time means the time that takes for output power to get stabilized to its final level after switching DC voltage from 0 V to V_s .

Outline Drawing (Unit: mm)



Pin Number	Function
2	RF In
5	RF Out
6	Vs
Others	Ground

Note: 1. The number and size of ground via holes in a circuit board is critical for thermal RF grounding considerations.

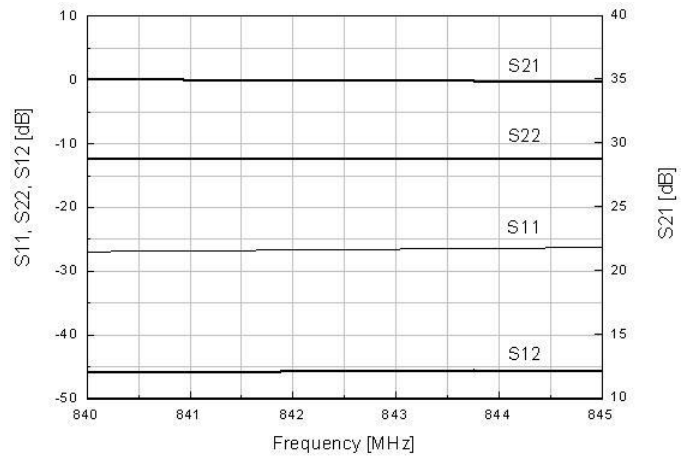
2. We recommend that the ground via holes be placed on the bottom of all ground pins for better RF and thermal performance, as shown in the drawing at the left side.

**Typical Performance
(Measured)**

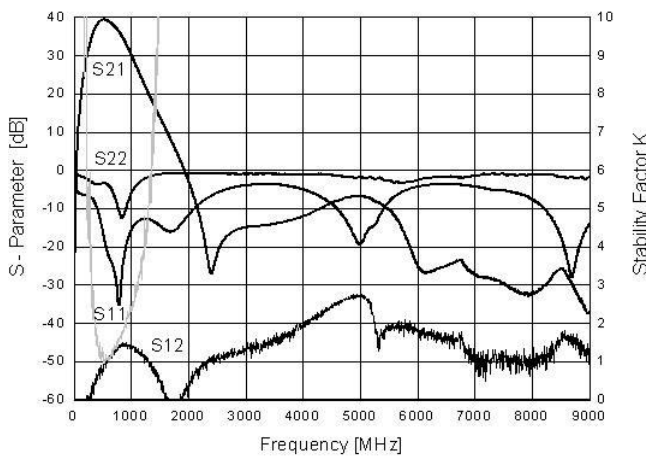
840~845 MHz

+5 V

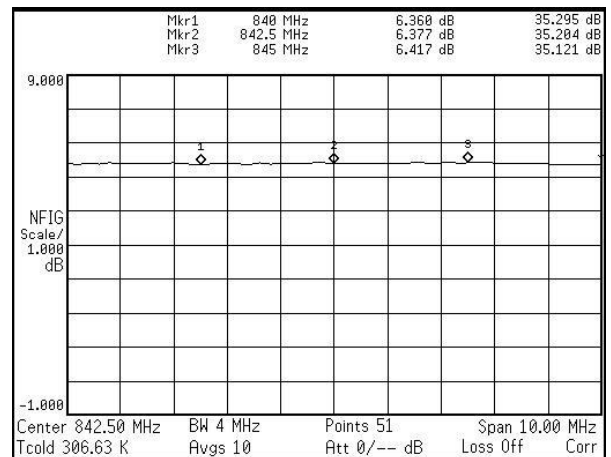
S-parameters



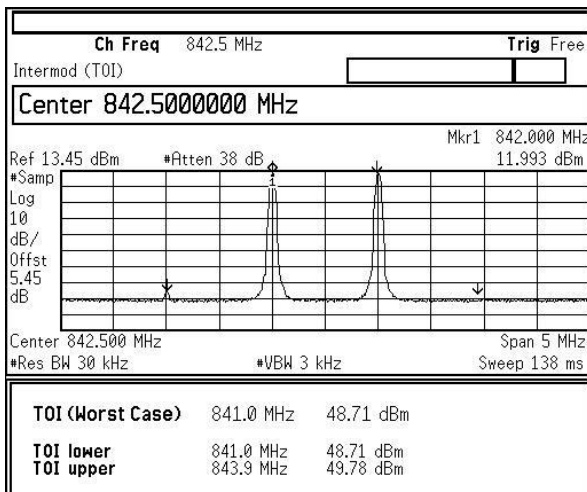
S-parameters & K Factor



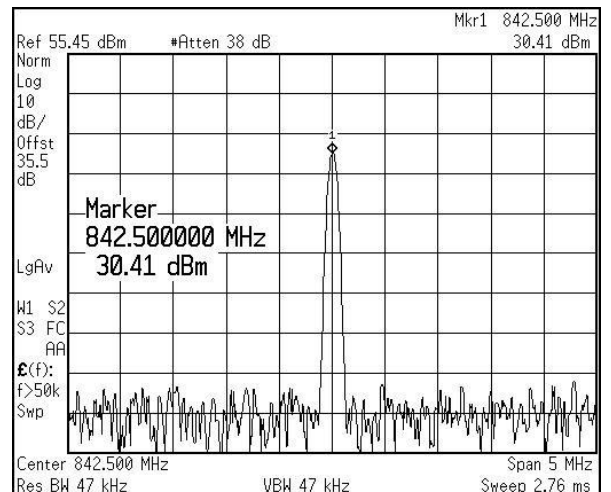
Noise Figure



OIP3



P1dB



RF Performance with Voltage Change

1. S-parameter

	840 MHz			842.5 MHz				845 MHz		
	S21 (dB)	S11 (dB)	S22 (dB)	S21 (dB)	G/F (dB)	S11 (dB)	S22 (dB)	S21 (dB)	S11 (dB)	S22 (dB)
4.50 V	34.80	-25.90	-13.27	34.73	0.12	-25.75	-13.29	34.68	-25.58	-13.32
4.75 V	35.02	-26.35	-13.12	34.96	0.12	-26.08	-13.18	34.90	-25.78	-13.21
5.00 V	35.08	-26.50	-13.31	35.01	0.13	-26.25	-13.34	34.95	-26.04	-13.40
5.25 V	35.02	-26.50	-13.74	34.95	0.13	-26.30	-13.81	34.89	-26.07	-13.83
5.50 V	34.84	-26.40	-14.47	34.77	0.12	-26.22	-14.53	34.72	-25.90	-14.52

2. OIP3, P1dB & NF

	840 MHz			842.5 MHz			845 MHz		
	OIP3 (dBm)	P1dB (dBm)	NF (dB)	OIP3 (dBm)	P1dB (dBm)	NF (dB)	OIP3 (dBm)	P1dB (dBm)	NF (dB)
4.50 V	39.70	28.69	5.532	37.53	28.70	5.536	40.00	28.72	5.556
4.75 V	47.15	29.66	6.029	46.96	29.68	5.998	47.09	29.72	6.014
5.00 V	48.78	30.41	6.433	48.89	30.42	6.409	48.63	30.48	6.435
5.25 V	46.19	30.95	6.868	46.08	31.07	6.822	46.16	31.06	6.843
5.50 V	45.49	31.33	7.159	45.26	31.28	7.227	45.29	31.40	7.251

Note: tested at room temperature.

RF Performance with Operating Temperature

1. S-parameter

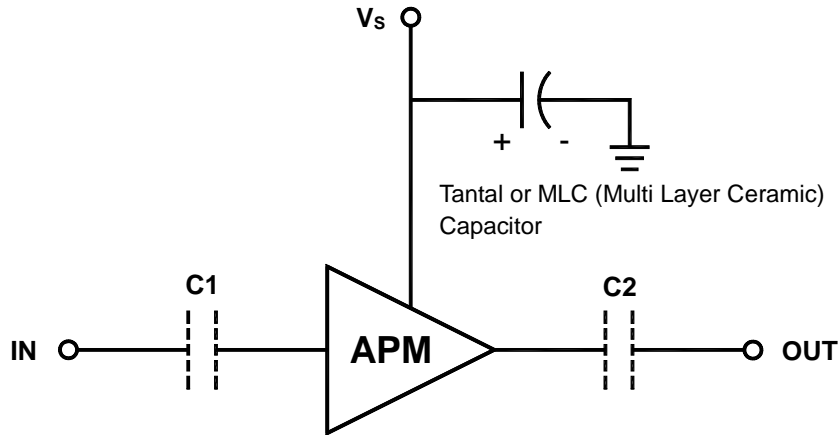
	840 MHz			842.5 MHz				845 MHz		
	S21 (dB)	S11 (dB)	S22 (dB)	S21 (dB)	G/F (dB)	S11 (dB)	S22 (dB)	S21 (dB)	S11 (dB)	S22 (dB)
-45 °C	36.88	-21.23	-9.650	36.85	0.13	-21.27	-9.668	36.75	-20.88	-9.613
-10 °C	36.22	-24.05	-10.61	36.20	0.12	-24.08	-10.68	36.10	-23.63	-10.60
25 °C	35.48	-26.30	-12.31	35.45	0.12	-26.53	-12.14	35.36	-25.64	-12.13
60 °C	34.76	-25.90	-13.20	34.73	0.12	-26.07	-13.22	34.64	-25.43	-13.14
85 °C	34.06	-24.24	-14.52	34.02	0.12	-24.30	-14.47	33.94	-23.91	-14.30

2. OIP3, P1dB & NF

	840 MHz			842.5 MHz			845 MHz		
	OIP3 (dBm)	P1dB (dBm)	NF (dB)	OIP3 (dBm)	P1dB (dBm)	NF (dB)	OIP3 (dBm)	P1dB (dBm)	NF (dB)
-45 °C	49.39	32.26	5.663	49.08	32.27	5.658	48.28	32.24	5.664
-10 °C	49.21	31.86	6.016	48.54	31.80	5.952	48.35	31.77	6.004
25 °C	48.98	30.84	6.382	48.89	30.90	6.386	48.60	30.75	6.407
60 °C	46.71	30.08	6.641	46.87	30.21	6.638	46.54	30.12	6.672
85 °C	45.10	29.70	6.912	45.21	29.75	6.867	45.35	29.68	6.904

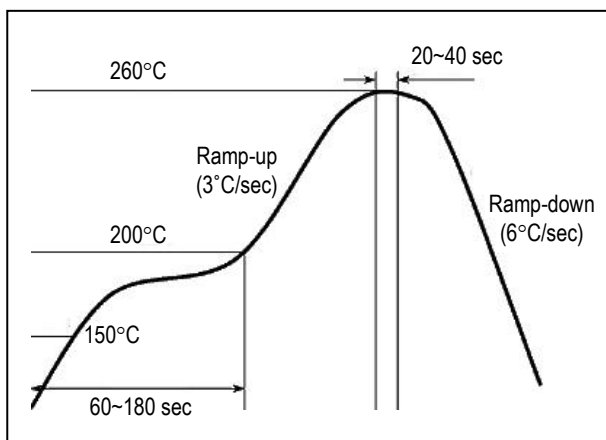
Note: tested at $V_s = 5V$.

Application Circuit

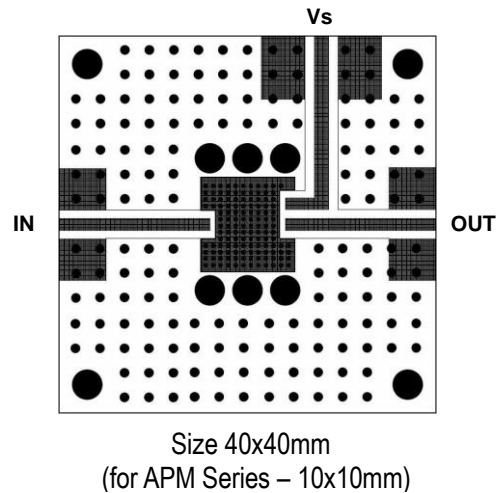


- 1) The tantal or MLC (Multi Layer Ceramic) capacitor is optional and for bypassing the AC noise introduced from the DC supply. The capacitance value may be determined by customer's DC supply status. The capacitor should be placed as close as possible to V_s pin and be connected directly to the ground plane for the best electrical performance.
- 2) DC blocking capacitors are always necessarily placed at the input and output port for allowing only the RF signal to pass and blocking the DC component in the signal. The DC blocking capacitors are included inside the APM module. Therefore, C1 & C2 capacitors may not be necessary, but can be added just in case that the customer wants. The value of C1 & C2 is determined by considering the application frequency.

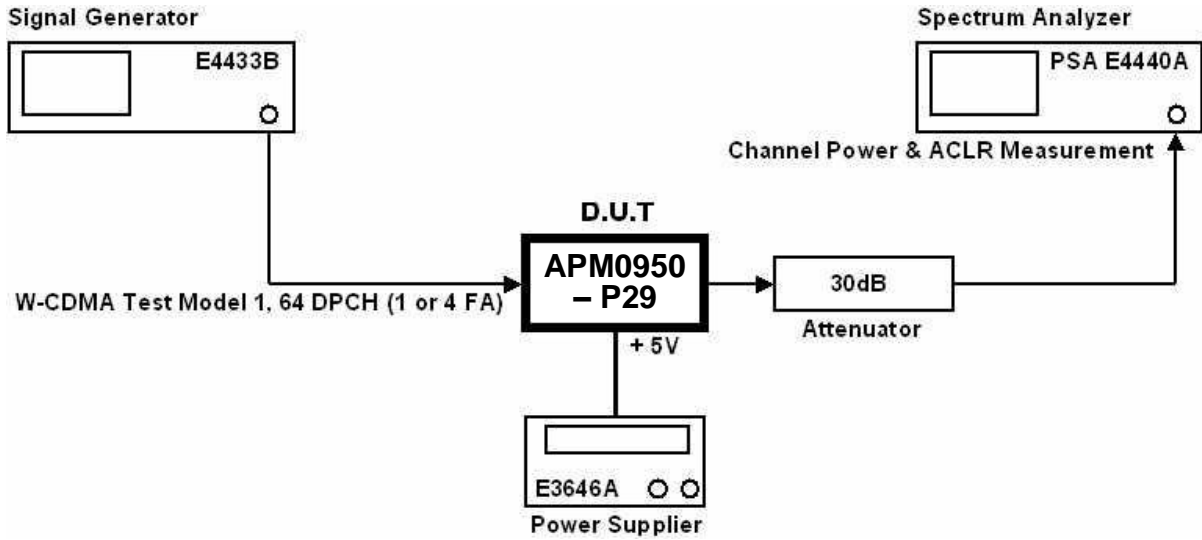
Recommended Soldering Reflow Process



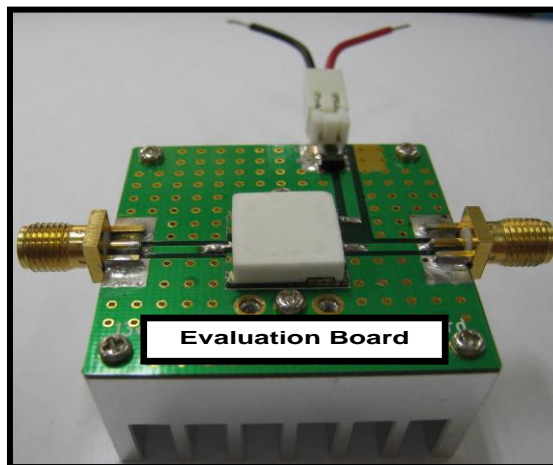
Evaluation Board Layout



Channel Power vs. ACLR Test Configuration



Evaluation Board attached with Heat Sink



** In order to prevent damage of D.U.T (APM-Series) from heating, you must to use a properly sized heat sink for testing a module.*