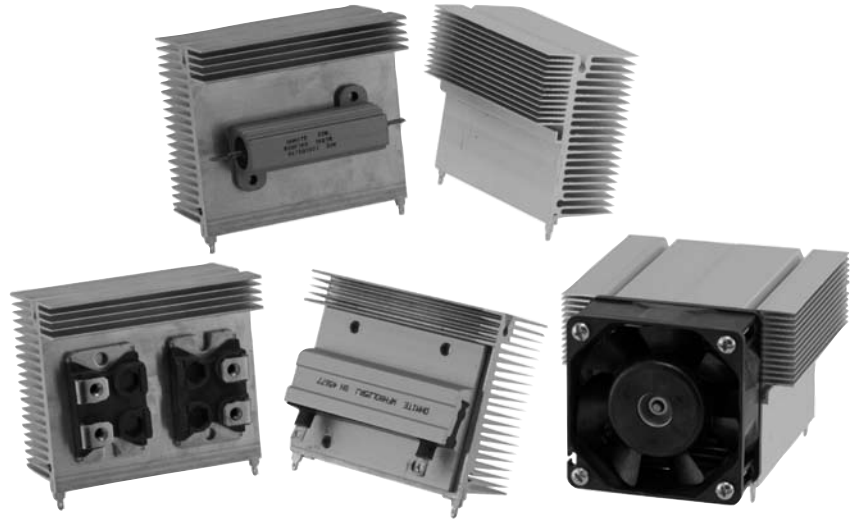


# B60/C60 Series

## Heat Sink System

Ohmite introduces the powerful B60/C60 series heatsink with cam clip (Pat. Pending) or custom mounting. This series offers flexible, high performance and compact heat sink with exchangeable cam clip system for TO-220, TO-247, and TO-264 devices. The built in lip is provided for mounting ease. The optional B series can be tapped for popular Ohmite resistors or other devices. These powerful heat sinks can be thru-hole soldered as a single or dual unit. The dual unit can be mated to a 60mm fan for greater thermal performance. It is the ideal type of heat sink for high power density and small size (3U or 4U) electronic packaging with forced convection.



### SERIES SPECIFICATIONS

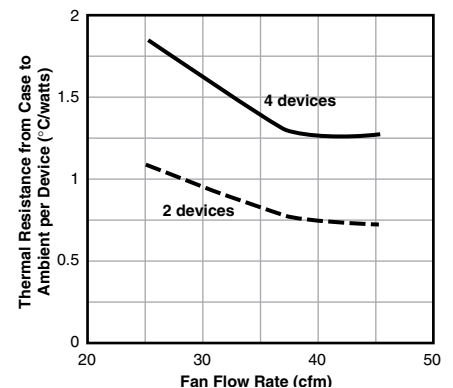
Heatsink Part Number	Surface Area (in <sup>2</sup> / mm <sup>2</sup> )	Weight (oz / g)	Length L (mm)
C60-075-VE C60-075-AE	177 / 114,300	5.7 / 163	75
B60-075-VE B60-075-AE	177 / 114,300	5.7 / 163	75

*consult factory for alternate lengths and clip combinations*

### CHARACTERISTICS

<b>Heat Sink</b>	Aluminum Alloy 6063-T5 or Equivalent with either degreased or black anodized finish.
<b>Spring Clip</b>	Music Wire, Per ASTM A228 with bright nickel plating
<b>Solder Foot</b>	Cold-rolled Steel, Per ASTM A-366 with pure tin over copper strike. RoHS compliant.
<b>Fan</b>	60mm fan with 4 self-tapping M3 screws
<b>Interface Thermal Resistance</b>	For improvement, use thermal joint compound, 0.005 Grafoil (TGon 800 by Laird), or phase change material (Hi-Flow by Bergquist Insulator (Optional) Sil-Pad 900-S, K6 800-S and K10 by Bergquist

### Heat Dissipation

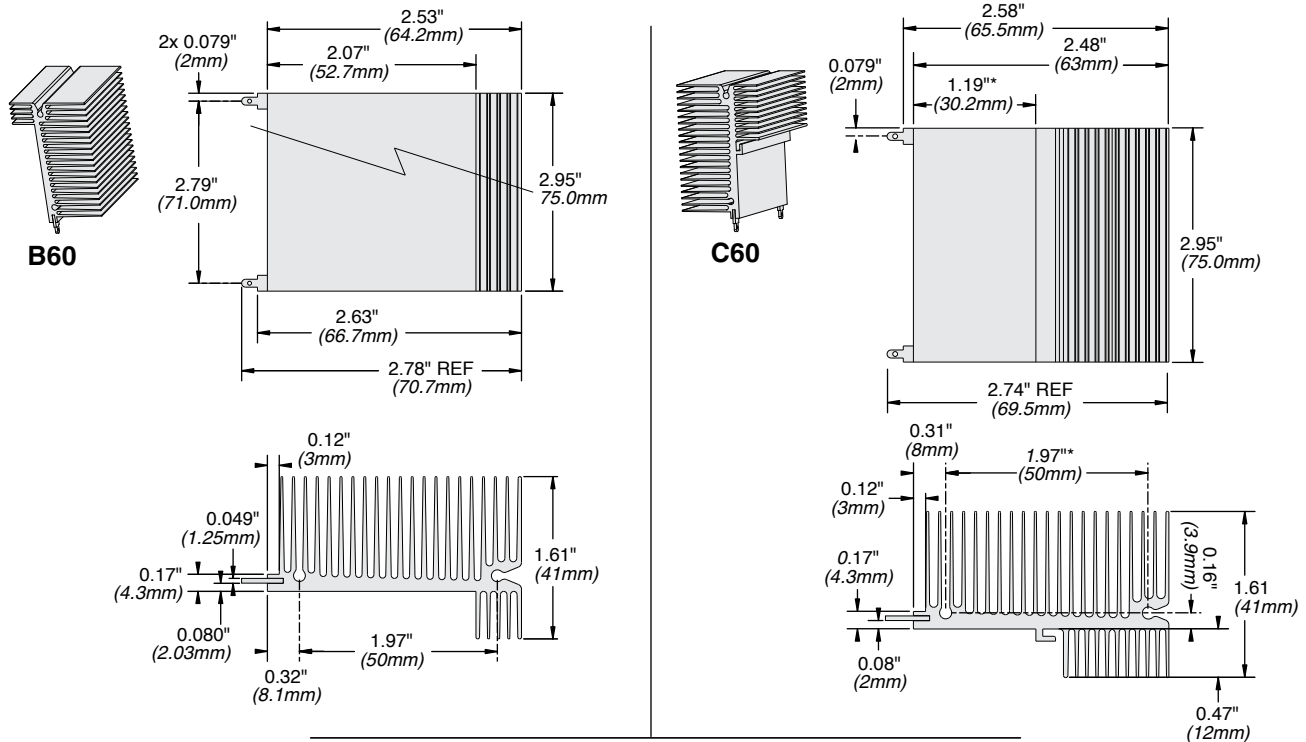


(continued)

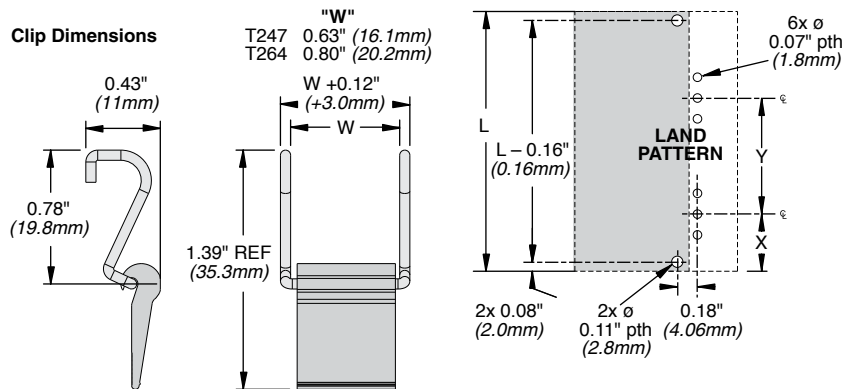
# B60/C60 Series

## Heat Sink System

### DIMENSIONS



NOTE: Due to possible screw torquing on long extrusions, Customer should check for coplanarity prior to final assembly or soldering.



### HOW TO ORDER

#### Heatsink

RoHS compliant

**C 60 X X - 0 5 8 - A E**

Series	Hole pattern	Length (mm)	Finish
B = without lip	(optional)		A = black anodized
C = with lip			V = degreased

#### Clip

**CLA - T 2 4 7 - 2 1 E**

Clip series	Device type	Standard configuration	RoHS compliant
	T247 = TO-247		
	T264 = TO-264		