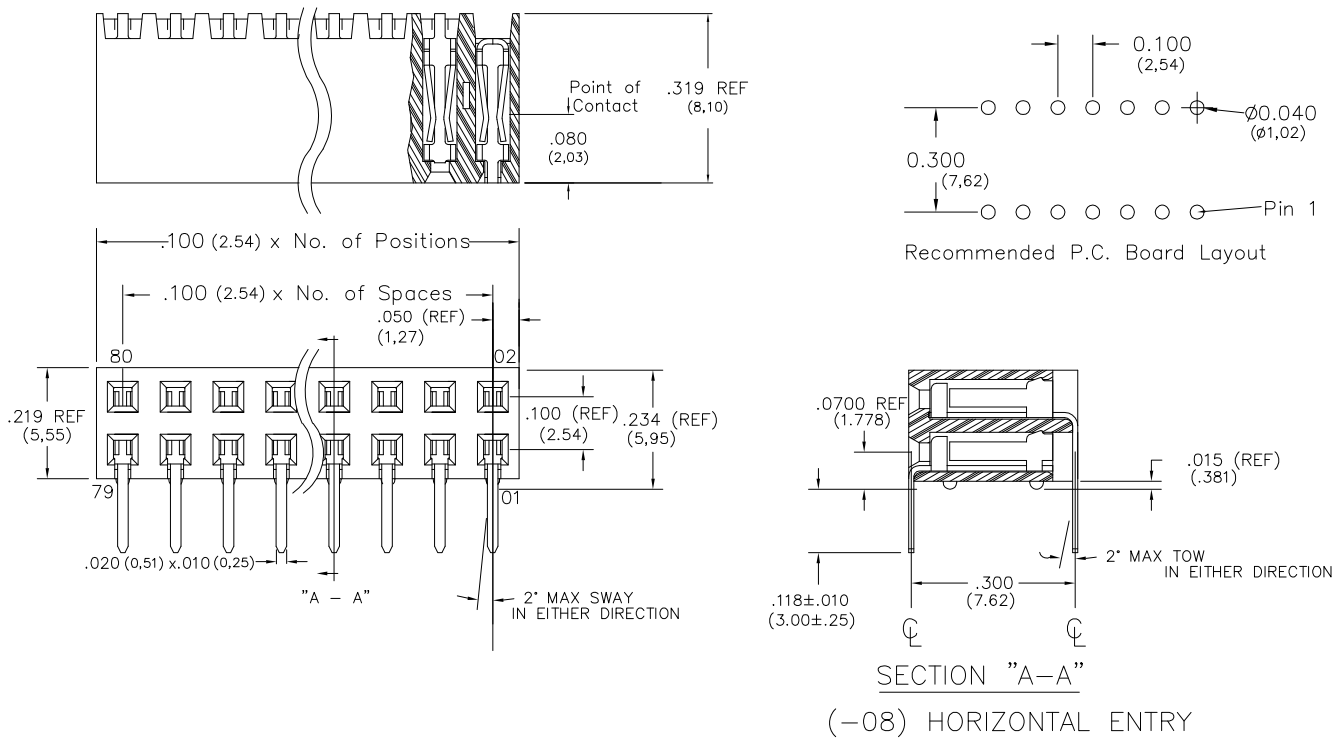


Major League Electronics .100 cl Box Connector Socket Strip - Horizontal



Tails may be clipped to achieve desired pin length

Ordering Information

BCSS-1 - D - 08 - - - LF

Pins Per Row
01 - 40

Row Specification
D = Double

Horizontal Entry

Lead Free

Polarized Position
Leave blank if not needed
If required, specify empty pin position, e.g. 012 for Pin 12

Plating Options	
H	- 30μ Gold on Contact Area / Matte Tin on Tail
T	- Matte Tin All Over
GT	- 10μ Gold on Contact Area / Matte Tin on Tail
F	- Gold Flash over Entire Pin
G	- 10μ Gold on Contact area / Flash on Tail

Specifications

Insertion Depth: .145 (3,68) to .250 (6,35)

Insertion Force - Per Contact - H Plating:

5oz. (1,39N) avg with .025 (0,64mm) sq. pin

Withdrawal Force - Per Contact - H Plating:

3oz. (0,83N) avg with .025 (0,64mm) sq. pin

Current Rating: 3.0 Ampere

Insulation Resistance: 5000MΩ Min.

Dielectric Withstanding: 500V AC

Contact Resistance: 20 mΩ Max.

Operating Temperature: -40°C to + 105°C

Max. Process Temperature:

Peak: 260°C up to 20 secs.

Process: 230°C up to 60 secs.

Wave: 260°C up to 6 secs.

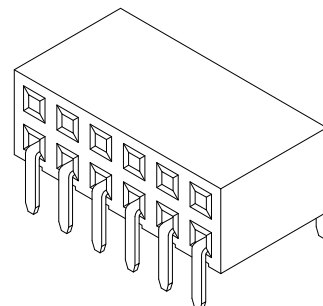
Manual Solder: 350°C up to 5 secs.

Materials

Contact Material: Phosphor Bronze

Insulator Material: Nylon 6T

Plating: Au or Sn over 50μ" (1,27) Ni



Mates with:

BSTC, TSHCR,
 BSTCM, TSHCRE,
 BSTCR, TSHCRSM,
 BSTCRSM, TSHR,
 BSTS, TSHRE,
 LBSTCM, TSHS,
 LTSHCR, TSHSCM,
 LTSHCRE, TSHSM,
 LTSHR, ULTSHSM,
 LTSHRE, ULTSHC,
 LTSHSM, ULTSHCR
 TSHC,

Products cut to specific sizes are uncancellable/nonreturnable

Parts are subject to change without notice

BCSS-1-DH SERIES

.100 cl Dual Row
Box Connector Socket Strip - Horizontal

12 JAN 07

Scale
NTS

UNLESS OTHERWISE SPECIFIED
DIMENSIONS IN INCHES (MM)
TOLERANCES ARE:

ONE PLACE DECIMALS ±.100
TWO PLACE DECIMALS ±.010
THREE PLACE DECIMALS ±.005
FOUR PLACE DECIMALS ±.0020

ANGLES
±3°



4235 Earnings Way, New Albany, Indiana, 47150, USA
 1-800-782-3486 (USA/Canada/Mexico)
 Tel: 812-944-7244
 Fax: 812-944-7268
 E-mail: mle@mlelectronics.com
 Web: www.mlelectronics.com

Edition
B

Sheet
1/2

Revisions

Revision B - (26th Jan 2010)

Pin dimension changed from 0.028 x 0.010 to 0.020 x 0.010

BCSS-1-DH SERIES

.100 cl Dual Row
Box Connector Socket Strip - Horizontal

12 JAN 07

Scale
NTS

UNLESS OTHERWISE SPECIFIED
DIMENSIONS IN INCHES (MM)
TOLERANCES ARE:

ONE PLACE DECIMALS ±.100
TWO PLACE DECIMALS ±.010
THREE PLACE DECIMALS ±.005
FOUR PLACE DECIMALS ±.0020

ANGLES
±3°



4235 Earnings Way, New Albany, Indiana, 47150, USA
1-800-782-3486 (USA/Canada/Mexico)

Tel: 812-944-7244
Fax: 812-944-7268

E-mail: mle@mlelectronics.com
Web: www.mlelectronics.com

Revision
B

Sheet
2/2