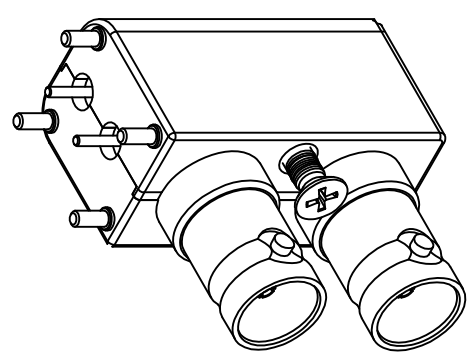
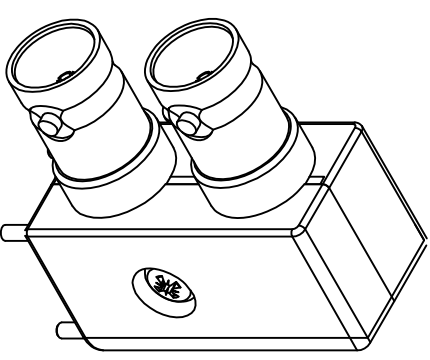
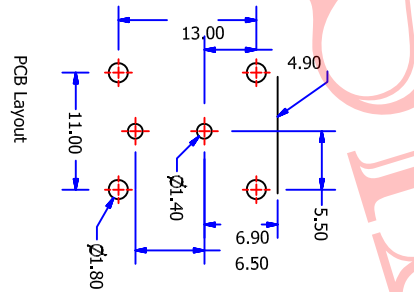
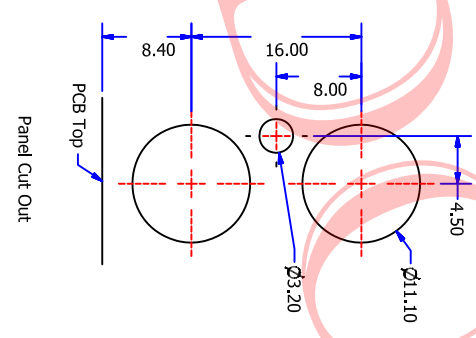
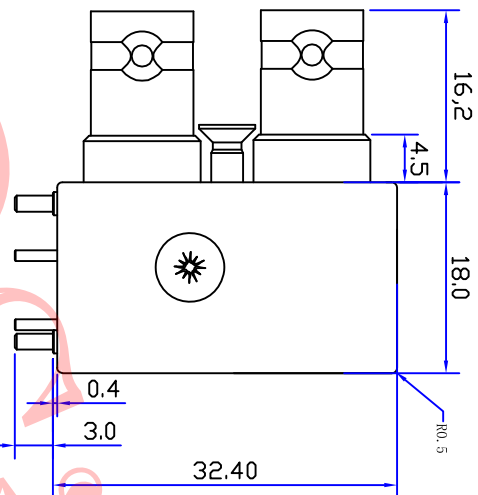
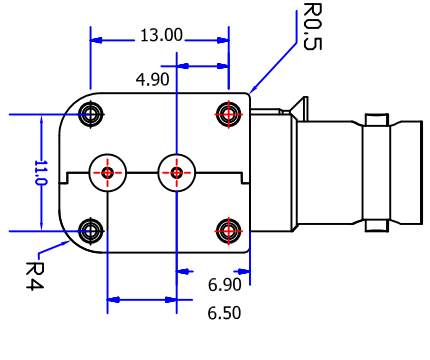
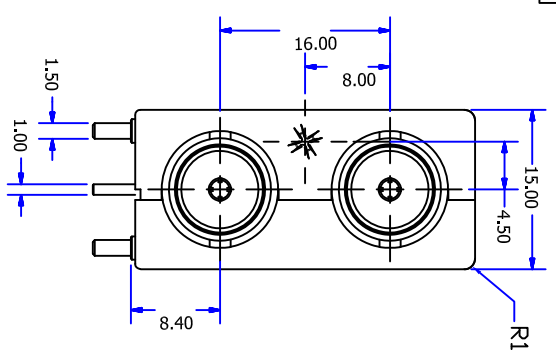




Product NO.		DOSIN-801-0266		
REV	DESCRIPTION	DWN	DATE	APPROVEN
A	First issue	JJM	2012/11/02	John Kine



4	Insulator	PPFE	NICKEL	2
3	INSULATION PLASTIC	ABS	BLACK	2
2	PIN	Phosphor copper	NICKEL	2
1	BODY	ZINC	NICKEL	2
NO	DESCRIPTION	MATERIAL	FINISH	QTY

NOTE:		Tolerance	
DRAWN	2012/11/10	0-6	±0.15
Checked		6-30	±0.20
		30-120	±0.5
		Angular	±2°
APPROVALS	SCALE	UNIT	MM
John Kine	1:1		

Name:		BNC CONNECTOR DNN	
SIZE	Product NO.	CAD FILE	REV
A	DOSIN-801-0266		A
Date/Time			
2012/11/02			
SHEET: 1 OF 1			

Dosing Industrial (H.K) Co. Ltd
 东莞市德奈五金电子有限公司
 Dosin Hardware Electronics Co., Ltd
 E-mail: dosin2005@163.com
 dosin2005@dosin-china.com
 Web: http://www.dosin.com
 TEL: (0086) 769-81153906
 FAX: (0086) 769-81875836