

THIS DRAWING IS UNPUBLISHED. RELEASED FOR PUBLICATION 20
 © COPYRIGHT 20 BY - ALL RIGHTS RESERVED.

REVISIONS				
P	LTR	DESCRIPTION	DATE	APVD
B		ECR-16-010100 UPDATE NAME	14JUL2016	L.Z X.X

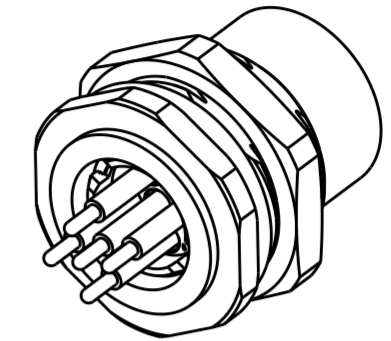
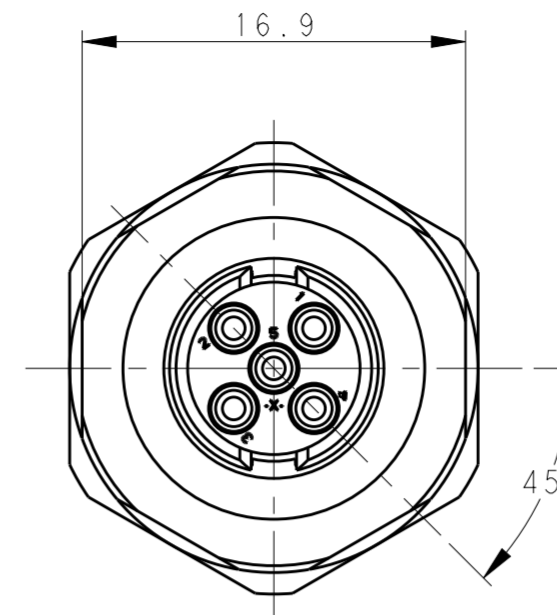
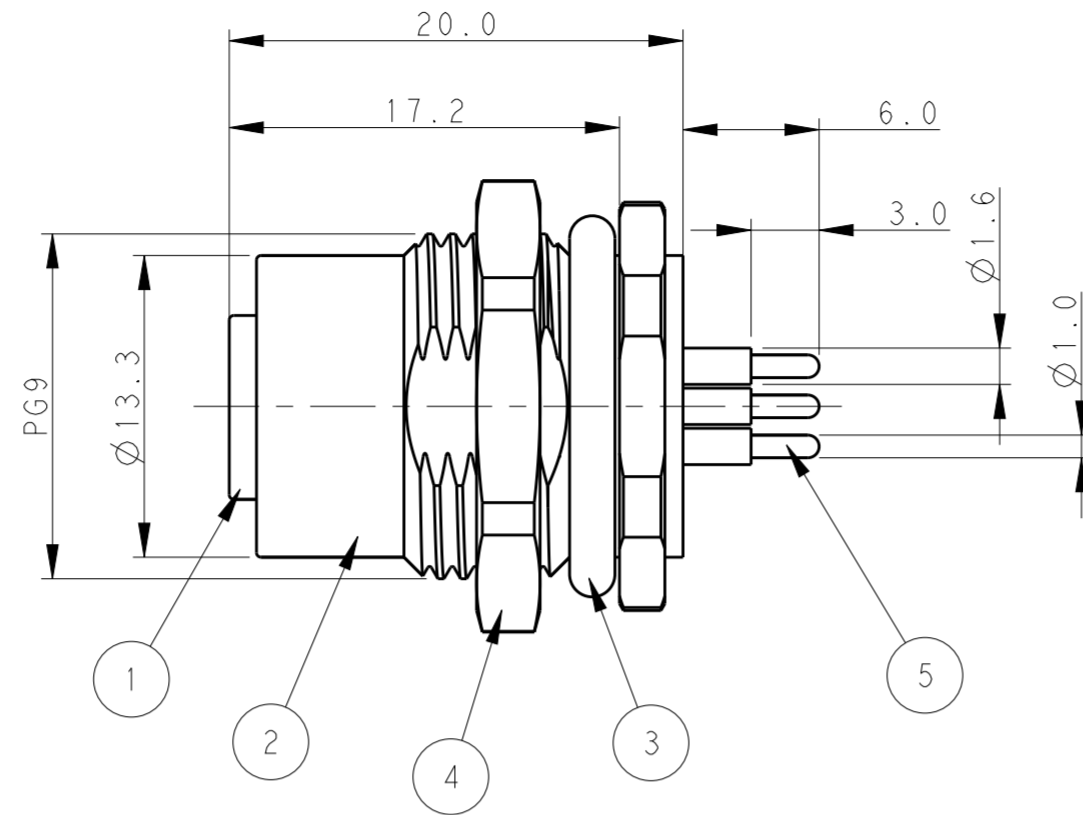
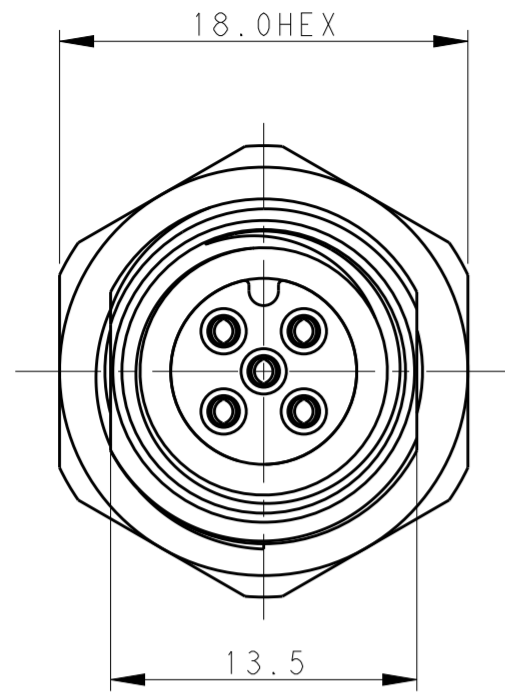


TABLE 1

TECHNICAL DATA	T4141012021-000	T4141012031-000	T4141012041-000	T4141012051-000
RATED VOLTAGE	250V	250V	250V	60V
RATED CURRENT	4A	4A	4A	4A
POLLUTION DEGREE	3	3	3	3
OVERVOLTAGE CATEGORY	II	II	II	II
MATERIAL GROUP	II	II	II	II
CONTACT RESISTANCE	<=10mΩ	<=10mΩ	<=10mΩ	<=10mΩ
INSULATION RESISTANCE	>100MΩ	>100MΩ	>100MΩ	>100MΩ
DEGREE OF PROTECTION	IP67	IP67	IP67	IP67
OPERATION TEMPERATURE	-40~85°C	-40~85°C	-40~85°C	-40~85°C

NOTE:
 1. TECHNICAL DATA: SEE TABLE 1
 2. RECOMMENDED MOUNT PANEL SEE DETAIL
 3. PRODUCT COMPLIES WITH IEC61076-2-101
 4. PLASTIC INERT MATERIAL:UL LISTED WITH UL94V0 FLAME RATING
 5. ALL MATERIALS TO BE ROHS COMPLIANT
 6. ALL MATERIALS TO BE REACH COMPLIANT
 7. PN INFORMATION FOR ASSEMBLY PARTS

注释:
 1: 技术参数, 见表1
 2: 推荐开孔尺寸详见如图所示
 3: 产品符合标准IEC61076-2-101
 4: 塑胶材料符合UL标准, UL-94V0阻燃等级
 5: 所有材料符合ROHS参照标准TEC-138-705
 6: 所有材料符合REACH参照标准TEC-138-705
 7: 成品料号信息如下:

T41410120X1-000

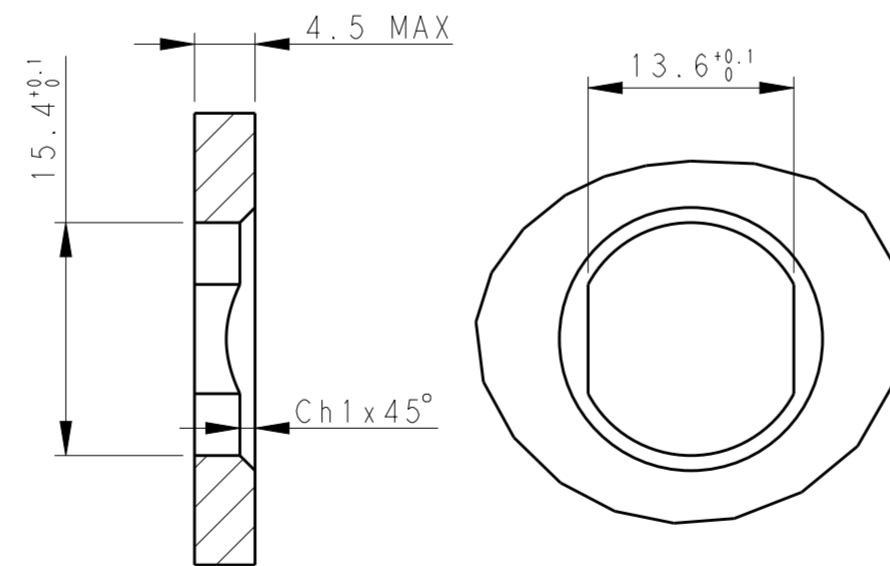
CONTACT FINISH:
 1: GOLD 3u''
 NUMBER OF PINS:
 02: 2 PINS
 03: 3 PINS
 04: 4 PINS
 05: 5 PINS

T41410120X1-000

端子电镀:
 1: 3u''金
 针数:
 02: 2 针
 03: 3 针
 04: 4 针
 05: 5 针

PIN ARRANGEMENT A-CODE

	T4141012021-000	T4141012031-000	T4141012041-000
B			
A			



RECOMMENDED PANEL CUTOUT

TE PN	TYPE
T4141012021-000	RPC-M12-FF-2CON-PG9-LBU
T4141012031-000	RPC-M12-FF-3CON-PG9-LBU
T4141012041-000	RPC-M12-FF-4CON-PG9-LBU
T4141012051-000	RPC-M12-FF-5CON-PG9-LBU

PLATING	MATERIAL	DESCRIPTION	ITEM
3u'' GOLD MIN.	COPPER ALLOY	CONTACT	5
200u'' NICKEL MIN.	COPPER ALLOY	METAL NUT	4
-	-	O-RING	3
200u'' NICKEL MIN.	COPPER ALLOY	M12, MALE, METAL BODY	2
-	PA66	M12, MALE HSG	1

THIS DRAWING IS A CONTROLLED DOCUMENT.

DWN BO GAO 16FEB2016
 CHK KOBBY ZHAO 16FEB2016
 APVD XIANG XU 16FEB2016

TE Connectivity

M12 PANEL MOUNT CONNECTOR
 D CODE, FEMALE, FRONT
 PCB SOLDERING

108-106140
 114-137144

SIZE A2 CAGE CODE - DRAWING NO. G-T41410120X1000 RESTRICTED TO -
 SCALE 2:1 SHEET 1 OF 1 REV B