



Photoelectric sensors
W2S-2, Photoelectric proximity sensor,
Background suppression

WTB2S-2P1360



Type > [WTB2S-2P1360](#)
Part No. > [1064605](#)



Illustration may differ

At a glance

- Sensing ranges of up to 150 mm
- Almost no black/white shift up to 60 mm
- Sensor with line-shaped light spot
- Sensor with laser-like focused light spots
- Precise background suppression that is immune to interference/crosstalk
- High-performance PinPoint 2.0 LED

Your benefits

- An ultra-compact design with the performance of large photoelectric proximity sensors offers new space-saving machine construction possibilities.
- Large variety of proximity sensors and operating concepts enable a wide range of application options
- Use in confined spaces: detection of small, flat parts thanks to high-quality background suppression and almost nonexistent black/white shift
- Remote access: models with IO-Link allow data to be easily accessed from the PLC
- High availability and long-term use in grippers thanks to flexible and rugged cable entry



Features

| | |
|-----------------------------------|--------------------------------------------------------|
| Sensor/detection principle: | Photoelectric proximity sensor, Background suppression |
| Dimensions (W x H x D): | 7.7 mm x 21.8 mm x 13.5 mm |
| Housing design (light emission): | Rectangular |
| Sensing range max.: | 1 mm ... 66 mm ¹⁾ |
| Sensing range: | 5 mm ... 60 mm ²⁾ |
| Type of light: | Visible red light |
| Light source: | PinPoint LED ³⁾ |
| Wave length: | 640 nm |
| Light spot size (distance): | X Ø 4.5 mm (40 mm) |
| Background suppression typ. from: | 70 mm |

^{1) 2)} Object with 90 % reflectance (referred to standard white, DIN 5033) ³⁾ Average service life: 100,000 h at T_U = +25 °C

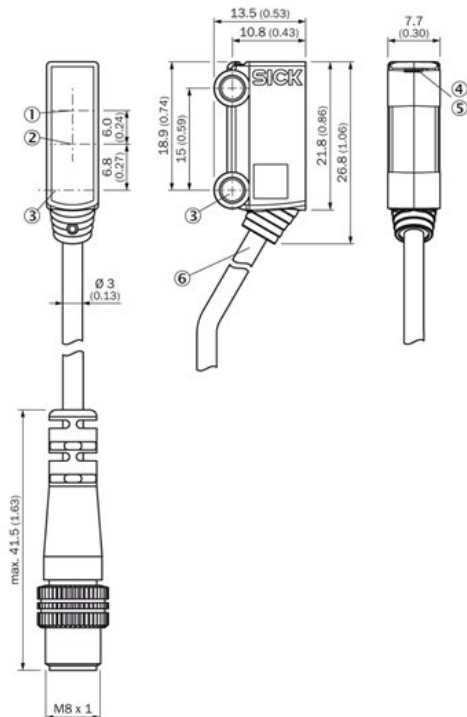
Mechanics/electronics

| | |
|----------------------|-----------------------------------|
| Supply voltage: | 10 V DC ... 30 V DC ¹⁾ |
| Ripple: | ≤ 5 V _{pp} ²⁾ |
| Current consumption: | ≤ 20 mA ³⁾ |

| | |
|-----------------------------------|----------------------------------|
| Output type: | PNP |
| Switching mode: | Light switching |
| Output current I _{max} : | < 50 mA |
| Response time: | < 0.5 ms ⁴⁾ |
| Switching frequency: | 1,000 Hz ⁵⁾ |
| Connection type: | Cable, 3-wire, 2 m ⁶⁾ |
| Cable material: | PVC |
| Cable diameter: | Ø 3 mm |
| Circuit protection::: | A, B, D ^{7) 8) 9)} |
| IO-Link: | - |
| Special device: | - |
| Optics material: | PMMA |
| Enclosure rating: | IP 67 |
| Ambient operating temperature: | -25 °C ... +50 °C |
| Ambient storage temperature: | -40 °C ... +75 °C |
| UL File No.: | NRKH.E181493 |
| Housing material: | ABS/PC, Plastic |

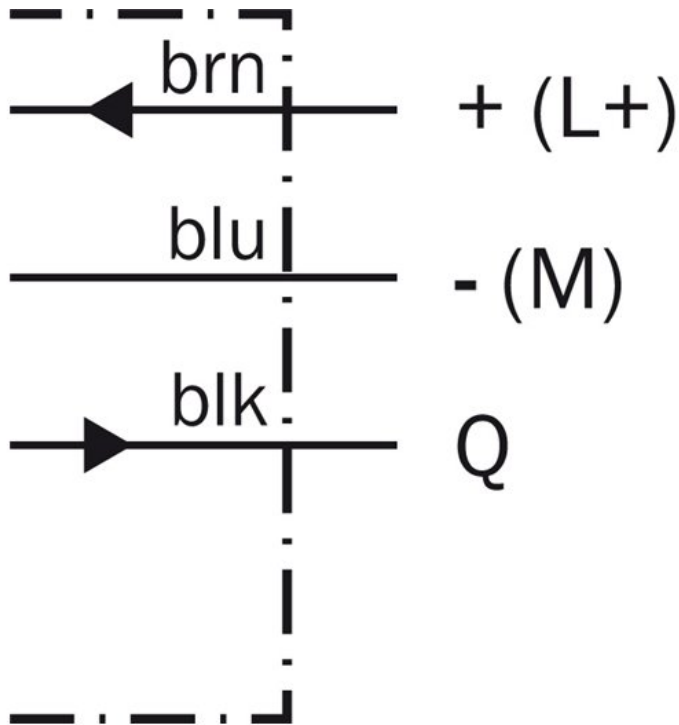
1) Limit values 2) May not exceed or fall below U_v tolerances 3) Without load 4) Signal transit time with resistive load 5) With light/dark ratio 1:1 6) Do not bend below 0 °C 7) A = V_S connections reverse-polarity protected 8) B = output reverse-polarity protected 9) D = outputs overcurrent and short-circuit protected

Dimensional drawing



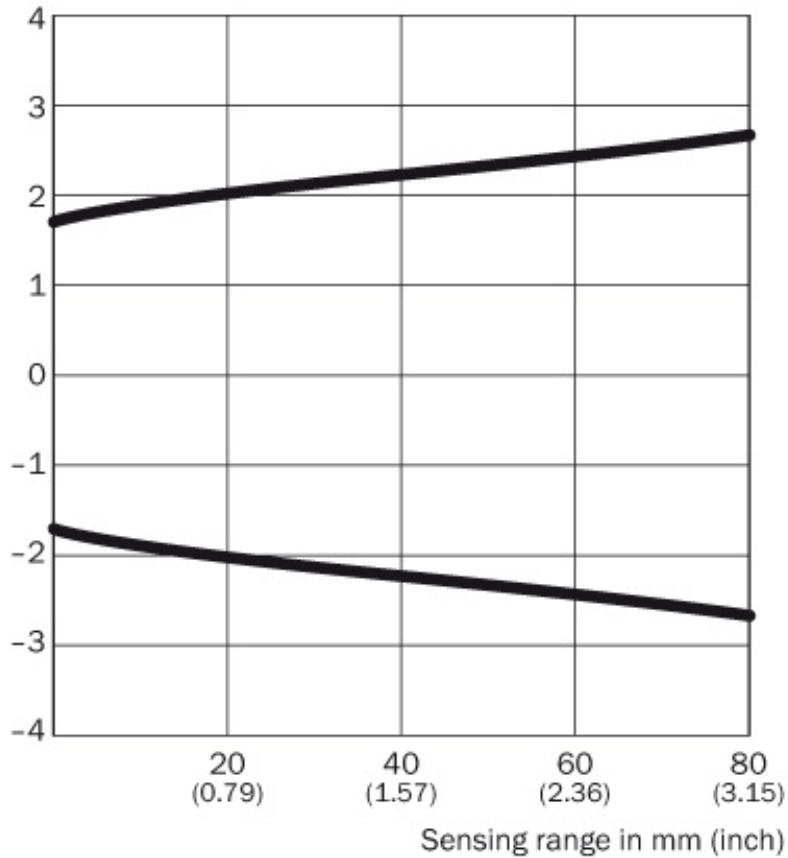
- |1| Optical axis, receiver
- |2| Optical axis, sender
- |3| Middle axis fixing hole Ø 3.2 mm
- |4| Status indicator LED green: supply voltage on
- |5| Status indicator LED,
yellow: Status of received light beam
- |6| Connection

Connection diagram



Light spot size

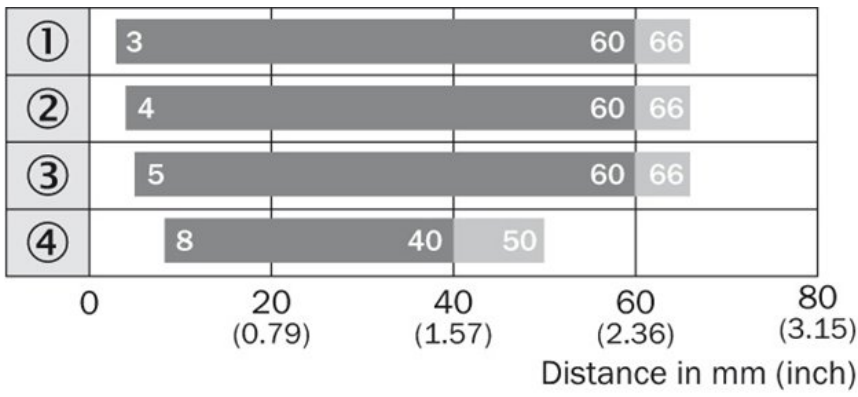
Spot diameter in mm (inch)



Dimensions in mm (inch)

| Sensing range | Spot diameter |
|---------------------|---------------|
| 10 (0.39) | 3.8 (0.15) |
| 20 (0.79) | 4.0 (0.16) |
| 40 (1.57) | 4.5 (0.18) |
| 80 (3.15) | 5.4 (0.21) |

Sensing range diagram



- |1| Sensing range on white, 90 % remission
- |2| Sensing range on gray, 18 % remission
- |3| Sensing range on black, 6 % remission
- |4| Sensing range on ultrablack, 1 % remission

■ Sensing range ■ Sensing range max.

Australia

Phone +61 3 9457 0600
1800 33 48 02 – tollfree
E-Mail sales@sick.com.au

Belgium/Luxembourg

Phone +32 (0)2 466 55 66
E-Mail info@sick.be

Brasil

Phone +55 11 3215-4900
E-Mail marketing@sick.com.br

Canada

Phone +1 905 771 14 44
E-Mail information@sick.com

Česká republika

Phone +420 2 57 91 18 50
E-Mail sick@sick.cz

China

Phone +86 4000 121 000
E-Mail info.china@sick.net.cn
Phone +852-2153 6300
E-Mail ghk@sick.com.hk

Danmark

Phone +45 45 82 64 00
E-Mail sick@sick.dk

Deutschland

Phone +49 211 5301-301
E-Mail info@sick.de

España

Phone +34 93 480 31 00
E-Mail info@sick.es

France

Phone +33 1 64 62 35 00
E-Mail info@sick.fr

Great Britain

Phone +44 (0)1727 831121
E-Mail info@sick.co.uk

India

Phone +91-22-4033 8333
E-Mail info@sick-india.com

Israel

Phone +972-4-6881000
E-Mail info@sick-sensors.com

Italia

Phone +39 02 27 43 41
E-Mail info@sick.it

Japan

Phone +81 (0)3 5309 2112
E-Mail support@sick.jp

Magyarország

Phone +36 1 371 2680
E-Mail office@sick.hu

Nederland

Phone +31 (0)30 229 25 44
E-Mail info@sick.nl

Norge

Phone +47 67 81 50 00
E-Mail sick@sick.no

Österreich

Phone +43 (0)22 36 62 28 8-0
E-Mail office@sick.at

Polska

Phone +48 22 837 40 50
E-Mail info@sick.pl

România

Phone +40 356 171 120
E-Mail office@sick.ro

Russia

Phone +7-495-775-05-30
E-Mail info@sick.ru

Schweiz

Phone +41 41 619 29 39
E-Mail contact@sick.ch

Singapore

Phone +65 6744 3732
E-Mail sales.gsg@sick.com

Slovenija

Phone +386 (0)1-47 69 990
E-Mail office@sick.si

South Africa

Phone +27 11 472 3733
E-Mail info@sickautomation.co.za

South Korea

Phone +82 2 786 6321/4
E-Mail info@sickkorea.net

Suomi

Phone +358-9-25 15 800
E-Mail sick@sick.fi

Sverige

Phone +46 10 110 10 00
E-Mail info@sick.se

Taiwan

Phone +886 2 2375-6288
E-Mail sales@sick.com.tw

Türkiye

Phone +90 (216) 528 50 00
E-Mail info@sick.com.tr

United Arab Emirates

Phone +971 (0) 4 88 65 878
E-Mail info@sick.ae

USA/México

Phone +1(952) 941-6780
1 (800) 325-7425 – tollfree
E-Mail info@sickusa.com

More representatives and agencies
at www.sick.com