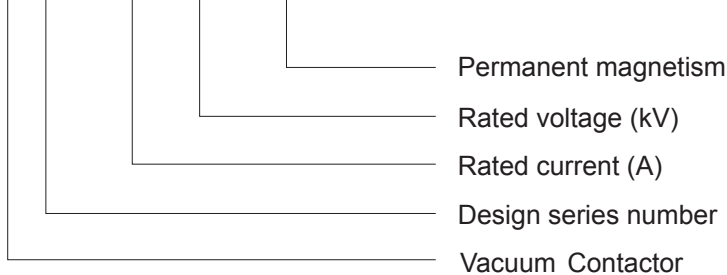


GVC6-400~630/3.6kV

### Description

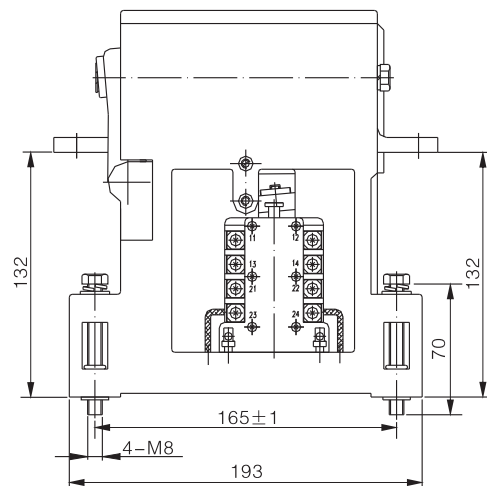
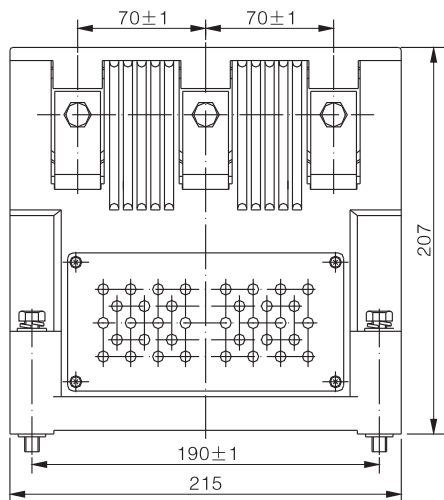
**GVC 6 - □ / □ - Y**



### Specification

Model	Unit	GVC6-400~630/3.6	
Main circuit rated voltage	kV	3.6	3.6
Main circuit rated current	A	400	630
Rate ferquency	Hz	50	50
Rated make current	A/100 Ops.	4000	6300
rated break current	A/25 Ops.	3200	5000
Maximum break current	A/3 Ops.	4000	6000
Power-frequency withstand voltage	kV	18	18
Opening time	ms	≤80	≤80
Closing time	ms	≤100	≤100
Clearance between open contacts	mm	3±0.5	3±0.5
Over travel	mm	≥1	≥1
Mechanical life	Ops.	1000000	1000000
Electricity life	Ops.	600000	600000

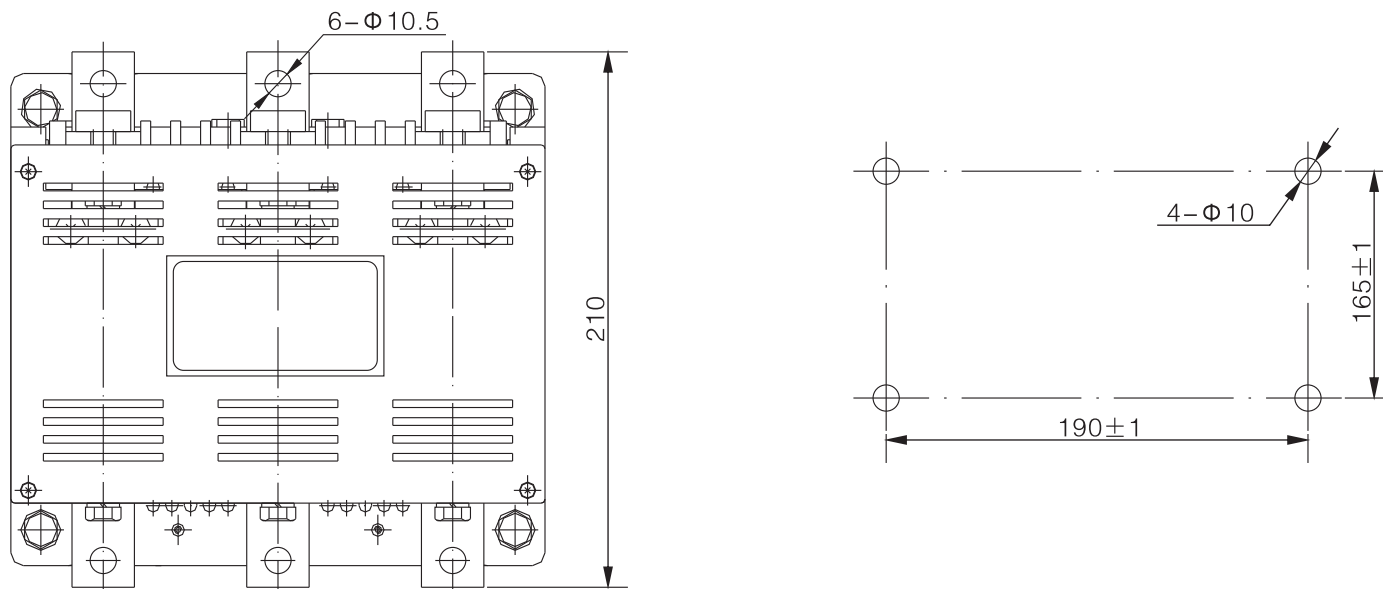
### Outline and installation size



Remarks:unit in millimeter

GVC6-400~630/3.6kV

## Outline and installation size



Remarks:unit in millimeter