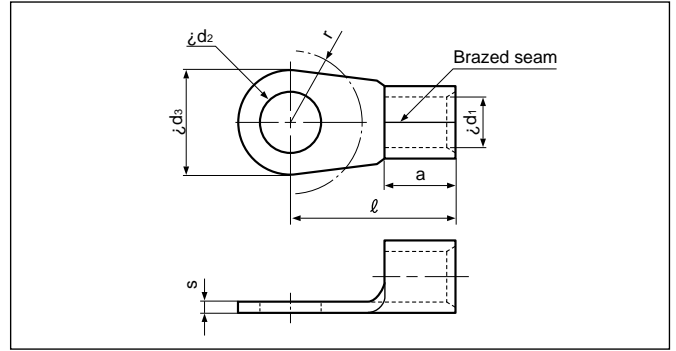
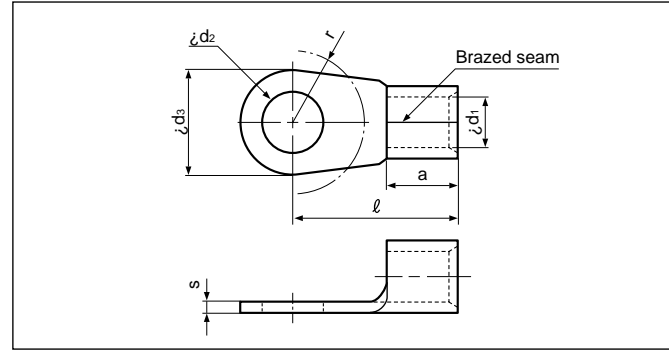
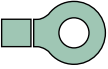


RING TONGUE TERMINAL Non-insulated DIN 46234



| Applicable Wire mm ² (AWG#) | Stud Size Metric | Part No. | Nominal Size DIN46234 | Dimensions mm (in.) | | | | | | | Tool No. | Qty/box |
|---|---------------------|------------|--------------------------|---------------------|-------------|--------------|-------------|---------------|---------------|---------------|----------|---------|
| | | | | ϕd_2 | ϕd_3 | r | ℓ | a | ϕd_1 | s | | |
| 0.1 to 0.5 (26 to 22) | 2 | GS2-0.5 | 2-0.5 | 2.2 (.087) | 5.0 (.197) | 5.0 (.197) | 9.8 (.386) | 4.0 (.157) | 1.0 (.039) | 0.5 (.020) | — | 2,000 |
| | 2.5 | GS2.5-0.5 | 2.5-0.5 | 2.7 (.106) | 5.0 (.197) | 5.0 (.197) | 9.8 (.386) | | | | | |
| | 3 | GS3-0.5 | 3-0.5 | 3.2 (.126) | 5.0 (.197) | 5.0 (.197) | 9.8 (.386) | | | | | |
| | 3.5 | GS3.5-0.5 | 3.5-0.5 | 3.7 (.146) | 6.0 (.236) | 5.0 (.197) | 12.0 (.472) | | | | | |
| | 4 | GS4-0.5 | 4-0.5 | 4.3 (.169) | 6.5 (.256) | 6.0 (.236) | 11.7 (.461) | | | | | |
| 0.25 to 1.5 (22 to 16) | 2 | GS2-1 | | 2.2 (.087) | 6.0 (.236) | 4.5 (.177) | 11.0 (.433) | 5.0 (.197) | 1.6 (.063) | 0.8 (.031) | JCH-10 | 2,000 |
| | 2.5 | GS2.5-1 | 2.5-1 | 2.7 (.106) | 6.0 (.236) | 4.5 (.177) | 11.0 (.433) | 5.0 (.197) | | | | |
| | 3 | GS3-1 | 3-1 | 3.2 (.126) | 6.0 (.236) | 4.5 (.177) | 11.0 (.433) | 5.0 (.197) | | | | |
| | 3 | GS3L-1 | | 3.2 (.126) | 6.5 (.256) | 3.5 (.138) | 8.0 (.315) | 4.0 (.157) | | | | |
| | 3.5 | GS3.5-1 | 3.5-1 | 3.7 (.146) | 6.0 (.236) | 4.5 (.177) | 11.0 (.433) | 5.0 (.197) | | | | |
| | 3.5 | GS3.5L-1 | | 3.7 (.146) | 6.5 (.256) | 3.5 (.138) | 8.0 (.315) | 4.0 (.157) | | | | |
| | 4 | GS4S-1 | | 4.3 (.169) | 6.5 (.256) | 3.5 (.138) | 8.0 (.315) | 4.0 (.157) | | | | |
| | 4 | GS4M-1 | | 4.3 (.169) | 7.0 (.276) | 5.5 (.217) | 11.0 (.433) | 5.0 (.197) | | | | |
| | 4 | GS4-1 | 4-1 | 4.3 (.169) | 8.0 (.315) | 6.0 (.236) | 12.0 (.472) | 5.0 (.197) | | | | |
| | 5 | GS5S-1 | | 5.3 (.209) | 8.0 (.315) | 6.0 (.236) | 12.0 (.472) | 5.0 (.197) | | | | |
| | 5 | GS5-1 | 5-1 | 5.3 (.209) | 10.0 (.394) | 6.5 (.256) | 13.0 (.512) | 5.0 (.197) | | | | |
| | 6 | GS6S-1 | | 6.5 (.256) | 10.0 (.394) | 6.5 (.256) | 13.0 (.512) | 5.0 (.197) | | | | |
| | 6 | GS6-1 | | 6.5 (.256) | 12.0 (.472) | 10.0 (.394) | 17.0 (.669) | 5.0 (.197) | | | | |
| | 8 | GS8-1 | | 8.4 (.331) | 12.0 (.472) | 10.0 (.394) | 17.0 (.669) | 5.0 (.197) | | | | |
| >1 to 2.5 (16 to 14) | 3 | GS3-2.5 | 3-2.5 | 3.2 (.126) | 6.0 (.236) | 4.5 (.177) | 11.0 (.433) | 5.0 (.197) | 2.3 (.091) | 0.8 (.031) | JCH-10 | 2,000 |
| | 3.5 | GS3.5-2.5 | 3.5-2.5 | 3.7 (.146) | 6.0 (.236) | 4.5 (.177) | 11.0 (.433) | | | | | |
| | 3.5 | GS3.5L-2.5 | | 3.7 (.146) | 6.8 (.268) | 4.5 (.177) | 11.0 (.433) | | | | | |
| | 4 | GS4S-2.5 | | 4.3 (.169) | 6.8 (.268) | 4.5 (.177) | 11.0 (.433) | | | | | |
| | 4 | GS4-2.5 | 4-2.5 | 4.3 (.169) | 8.0 (.315) | 6.0 (.236) | 12.0 (.472) | | | | | |
| | 5 | GS5S-2.5 | | 5.3 (.209) | 8.0 (.315) | 6.0 (.236) | 12.0 (.472) | | | | | |
| | 5 | GS5-2.5 | 5-2.5 | 5.3 (.209) | 10.0 (.394) | 6.5 (.256) | 14.0 (.551) | 5.0 (.197) | | | | |
| | 5 | GS5M-2.5 | | 5.3 (.209) | 9.5 (.374) | 6.5 (.256) | 12.0 (.472) | | | | | |
| | 6 | GS6S-2.5 | | 6.5 (.256) | 10.0 (.394) | 6.5 (.256) | 14.0 (.551) | | | | | |
| | 6 | GS6-2.5 | 6-2.5 | 6.5 (.256) | 11.0 (.433) | 7.5 (.295) | 16.0 (.630) | | | | | |
| | 8 | GS8-2.5 | 8-2.5 | 8.4 (.331) | 14.0 (.551) | 10.0 (.394) | 17.0 (.669) | | | | | |
| | 10 | GS10-2.5 | | 10.5 (.413) | 18.0 (.709) | 12.0 (.472) | 20.0 (.787) | | | | | |
| 12 | GS12-2.5 | | 13.0 (.512) | 18.0 (.709) | 12.0 (.472) | 20.0 (.787) | 4.8 (.189) | | | | | |
| 16 | GS16-2.5 | | 17.0 (.669) | 27.0 (1.063) | 16.0 (.630) | 26.0 (1.024) | | | | | | |
| >2.5 to 6 (12 to 10) | 4 | GS4-6 | 4-6 | 4.3 (.169) | 8.0 (.315) | 6.0 (.236) | 14.0 (.551) | 6.0 (.236) | 3.6 (.142) | 1.0 (.039) | JCH-10 | 1,000 |
| | 5 | GS5-6 | 5-6 | 5.3 (.209) | 10.0 (.394) | 6.5 (.256) | 15.0 (.591) | | | | | |
| | 6 | GS6-6 | 6-6 | 6.5 (.256) | 11.0 (.433) | 7.5 (.295) | 16.0 (.630) | | | | | |
| | 8 | GS8-6 | 8-6 | 8.4 (.331) | 14.0 (.551) | 10.0 (.394) | 19.0 (.748) | | | | | |
| | 10 | GS10-6 | 10-6 | 10.5 (.413) | 18.0 (.709) | 12.0 (.472) | 21.0 (.827) | | | | | |
| | 12 | GS12-6 | | 13.0 (.512) | 18.0 (.709) | 12.0 (.472) | 21.0 (.827) | | | | | |

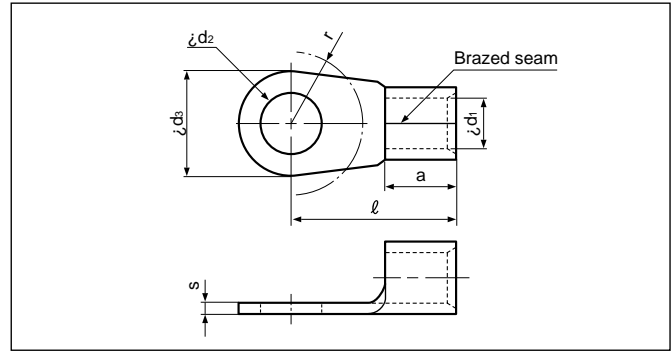
Note: 1) Contact J.S.T. Europe N.V., Belgium for the above tools.
 2) Delivery lead times may vary depending on the product. Contact JST for details.



| Applicable Wire mm ² (AWG#) | Stud Size Metric | Part No. | Nominal Size DIN46234 | Dimensions mm (in.) | | | | | | | Tool No. | Qty/box | | |
|---|---------------------|----------|--------------------------|---------------------|--------------|--------------|--------------|----------------|----------------|---------------|--|---------|----------------|----------------|
| | | | | ϕd_2 | ϕd_1 | r | ℓ | a | ϕd_1 | s | | | | |
| >6 to 10 (8) | 4 | GS4-10 | | 4.3 (.169) | 10.0 (.394) | 6.5 (.256) | 16.0 (.630) | 8.0 (.315) | 4.5 (.177) | 1.1 (.043) | JCS-350 YH-540 | 500 | | |
| | 5 | GS5-10 | 5-10 | 5.3 (.209) | 10.0 (.394) | 6.5 (.256) | 16.0 (.630) | | | | | | | |
| | 6 | GS6-10 | 6-10 | 6.5 (.256) | 11.0 (.433) | 7.5 (.295) | 17.0 (.669) | | | | | | | |
| | 8 | GS8-10 | 8-10 | 8.4 (.331) | 14.0 (.551) | 10.0 (.394) | 20.0 (.787) | | | | | | | |
| | 10 | GS10-10 | 10-10 | 10.5 (.413) | 18.0 (.709) | 12.0 (.472) | 21.0 (.827) | | | | | | | |
| | 12 | GS12-10 | 12-10 | 13.0 (.512) | 22.0 (.866) | 13.0 (.512) | 23.0 (.906) | | | | | 250 | | |
| >10 to 16 (6) | 5 | GS5-16 | 5-16 | 5.3 (.209) | 11.0 (.433) | 7.5 (.295) | 20.0 (.787) | 10.0 (.394) | 5.8 (.228) | 1.2 (.047) | JCS-350 YH-540 | 200 | | |
| | 6 | GS6-16 | 6-16 | 6.5 (.256) | 11.0 (.433) | 7.5 (.295) | 20.0 (.787) | | | | | | | |
| | 8 | GS8-16 | 8-16 | 8.4 (.331) | 14.0 (.551) | 10.0 (.394) | 22.0 (.866) | | | | | | | |
| | 10 | GS10-16 | 10-16 | 10.5 (.413) | 18.0 (.709) | 12.0 (.472) | 24.0 (.945) | | | | | | | |
| | 12 | GS12-16 | 12-16 | 13.0 (.512) | 22.0 (.866) | 13.0 (.512) | 26.0 (1.024) | | | | | 250 | | |
| >16 to 25 (4) | 5 | GS5-25 | 5-25 | 5.3 (.209) | 12.0 (.472) | 7.5 (.295) | 25.0 (.984) | 11.0 (.433) | 7.5 (.295) | 1.5 (.059) | JCS-350 YH-540 JS-150D JSHR-150 | 100 | | |
| | 6 | GS6-25 | 6-25 | 6.5 (.256) | 12.0 (.472) | 7.5 (.295) | 25.0 (.984) | | | | | | | |
| | 6 | GS6L-25 | | 6.5 (.256) | 16.0 (.630) | 10.0 (.394) | 25.0 (.984) | | | | | | | |
| | 8 | GS8-25 | 8-25 | 8.4 (.331) | 16.0 (.630) | 10.0 (.394) | 25.0 (.984) | | | | | | | |
| | 10 | GS10-25 | 10-25 | 10.5 (.413) | 18.0 (.709) | 12.0 (.472) | 26.0 (1.024) | | | | | | | |
| | 12 | GS12-25 | 12-25 | 13.0 (.512) | 22.0 (.866) | 13.0 (.512) | 31.0 (1.220) | | | | | | | |
| >25 to 35 (2) | 6 | GS6-35 | 6-35 | 6.5 (.256) | 15.0 (.591) | 10.0 (.394) | 26.0 (1.024) | 12.0 (.472) | 9.0 (.354) | 1.6 (.063) | JCS-350 YH-540 JS-150D JSHR-150 | 100 | | |
| | 8 | GS8-35 | 8-35 | 8.4 (.331) | 16.0 (.630) | 10.0 (.394) | 26.0 (1.024) | | | | | | | |
| | 10 | GS10-35 | 10-35 | 10.5 (.413) | 18.0 (.709) | 12.0 (.472) | 27.0 (1.063) | | | | | | | |
| | 12 | GS12-35 | 12-35 | 13.0 (.512) | 22.0 (.866) | 13.0 (.512) | 31.0 (1.220) | | | | | | | |
| | 16 | GS16-35 | 16-35 | 17.0 (.669) | 28.0 (1.102) | 16.0 (.630) | 36.0 (1.417) | 14.0 (.551) | 9.4 (.370) | 1.8 (.071) | | | | |
| | 16 | GS16L-35 | | 17.0 (.669) | 30.0 (1.181) | 18.0 (.709) | 37.5 (1.476) | | | | | | | |
| 20 | GS20-35 | | 21.0 (.827) | 30.0 (1.181) | 18.0 (.709) | 37.5 (1.476) | | | | | | | | |
| >35 to 50 (1/0) | 6 | GS6-50 | 6-50 | 6.5 (.256) | 18.0 (.709) | 12.0 (.472) | 34.0 (1.339) | 16.0 (.630) | 11.0 (.433) | 1.8 (.071) | YH-540D JS-150D JSHR-150 | 50 | | |
| | 8 | GS8-50 | 8-50 | 8.4 (.331) | 18.0 (.709) | 12.0 (.472) | 34.0 (1.339) | | | | | | | |
| | 10 | GS10-50 | 10-50 | 10.5 (.413) | 18.0 (.709) | 12.0 (.472) | 34.0 (1.339) | | | | | | | |
| | 12 | GS12-50 | 12-50 | 13.0 (.512) | 22.0 (.866) | 13.0 (.512) | 36.0 (1.417) | | | | | | | |
| | 16 | GS16-50 | 16-50 | 17.0 (.669) | 28.0 (1.102) | 16.0 (.630) | 40.0 (1.575) | | | | | | | |
| | 20 | GS20-50 | | 21.0 (.827) | 32.0 (1.260) | 18.0 (.709) | 41.5 (1.634) | 18.0(.709) | 11.4(.449) | 2.0 (.079) | | | | |
| >50 to 70 (2/0) | 6 | GS6-70 | 6-70 | 6.5 (.256) | 22.0 (.866) | 13.0 (.512) | 38.0 (1.496) | 18.0 (.709) | 13.0 (.512) | 2.0 (.079) | YH-540 JS-150D JSHR-150 | 50 | | |
| | 8 | GS8-70 | 8-70 | 8.4 (.331) | 22.0 (.866) | 13.0 (.512) | 38.0 (1.496) | | | | | | | |
| | 10 | GS10-70 | 10-70 | 10.5 (.413) | 22.0 (.866) | 13.0 (.512) | 38.0 (1.496) | | | | | | | |
| | 12 | GS12-70 | 12-70 | 13.0 (.512) | 22.0 (.866) | 13.0 (.512) | 38.0 (1.496) | | | | | | | |
| | 16 | GS16-70 | 16-70 | 17.0 (.669) | 28.0 (1.102) | 16.0 (.630) | 42.0 (1.654) | | | | | | | |
| | 16 | GS16L-70 | | 17.0 (.669) | 32.0 (1.260) | 18.0 (.709) | 45.0 (1.772) | | | | | | 19.0 (.748) | 13.3 (.524) |
| | 20 | GS20-70 | | 21.0 (.827) | 32.0 (1.260) | 18.0 (.709) | 45.0 (1.772) | | | | | | | |

Note: 1) Contact J.S.T. Europe N.V., Belgium for the above tools.
 2) Delivery lead times may vary depending on the product. Contact JST for details.

RING TONGUE TERMINAL *Non-insulated DIN 46234*



| Applicable Wire mm ² (AWG#) | Stud Size Metric | Part No. | Nominal Size DIN46234 | Dimensions mm (in.) | | | | | | | Tool No. | Qty/box | | | | | |
|---|---------------------|-----------|--------------------------|---------------------|-------------------|----------------|-----------------|-----------------|-------------------|---------------|-------------------------------|--------------|--------------|-------------|--------------|-------------|------------|
| | | | | $\varnothing d_2$ | $\varnothing d_3$ | r | ℓ | a | $\varnothing d_1$ | s | | | | | | | |
| >70 to 95 (3/0) | 8 | GS8-95 | 8-95 | 8.4 (.331) | 24.0 (.945) | 13.0 (.512) | 42.0 (1.654) | 20.0 (.787) | 15.0(.591) | 2.5 (.098) | YH-540 JS-150D JSHR-150 | 25 | | | | | |
| | 10 | GS10-95 | 10-95 | 10.5 (.413) | 24.0 (.945) | 13.0 (.512) | 42.0 (1.654) | | | | | | | | | | |
| | 10 | GS10L-95 | | 10.5 (.413) | 27.0 (1.063) | 14.0 (.551) | 40.7 (1.602) | | | | | | | | | | |
| | 12 | GS12-95 | 12-95 | 13.0 (.512) | 24.0 (.945) | 13.0 (.512) | 42.0 (1.654) | | | | | | | | | | |
| | 12 | GS12L-95 | | 13.0 (.512) | 27.0 (1.063) | 14.0 (.551) | 40.7 (1.602) | | | | | | | | | | |
| | 16 | GS16-95 | 16-95 | 17.0 (.669) | 28.0 (1.102) | 16.0 (.630) | 44.0 (1.732) | | | | | | | | | | |
| | 16 | GS16LL-95 | | 17.0 (.669) | 32.0 (1.260) | 18.0 (.709) | 52.0 (2.047) | | | | | | | | | | |
| >95 to 120 (4/0) | 20 | GS20L-95 | | 21.0 (.827) | 32.0 (1.260) | 18.0 (.709) | 52.0 (2.047) | 22.0 (.866) | 16.5 (.650) | 3.0 (.118) | YH-540 JS-150D JSHR-150 | 25 | | | | | |
| | 8 | GS8-120 | 8-120 | 8.4 (.331) | 24.0 (.945) | 13.0 (.512) | 44.0 (1.732) | | | | | | | | | | |
| | 10 | GS10-120 | 10-120 | 10.5 (.413) | 24.0 (.945) | 13.0 (.512) | 44.0 (1.732) | | | | | | | | | | |
| | 12 | GS12-120 | 12-120 | 13.0 (.512) | 24.0 (.945) | 13.0 (.512) | 44.0 (1.732) | | | | | | | | | | |
| | 16 | GS16-120 | 16-120 | 17.0 (.669) | 28.0 (1.102) | 16.0 (.630) | 48.0 (1.890) | | | | | | | | | | |
| | 16 | GS16S-120 | | 17.0 (.669) | 32.0 (1.260) | 20.0 (.787) | 53.0 (2.087) | | | | | | | | | | |
| >120 to 150 (250 to 300MCM) | 20 | GS20-120 | | 21.0 (.827) | 32.0 (1.260) | 25.0 (.984) | 53.0 (2.087) | 21.0(.827) | 19.0 (.748) | 3.2 (.126) | JS-150D JSHR-150 | 25 | | | | | |
| | 10 | GS10-150 | 10-150 | 10.5 (.413) | 30.0 (1.181) | 16.0 (.630) | 50.0 (1.969) | 24.0 (.946) | | | | | | | | | |
| | 12 | GS12-150 | 12-150 | 13.0 (.512) | 30.0 (1.181) | 16.0 (.630) | 50.0 (1.969) | | | | | | | | | | |
| | 16 | GS16-150 | 16-150 | 17.0 (.669) | 30.0 (1.181) | 16.0 (.630) | 50.0 (1.969) | | | | | | | | | | |
| | 18 | GS18-150 | 18-150 | 19.0 (.748) | 36.0 (1.417) | 20.0 (.787) | 63.0 (2.480) | | | | | | | | | | |
| 20 | GS20-150 | | 21.0 (.827) | 36.0 (1.417) | 30.0 (1.181) | 63.0 (2.480) | | | | | | | | | | | |
| >150 to 185 (300 to 350MCM) | 10 | GS10-185 | 10-185 | 10.5 (.413) | 36.0 (1.417) | 16.0 (.630) | 50.0 (1.969) | 28.0 (1.102) | 21.0 (.827) | 3.5 (.138) | JSH-325 | 20 | | | | | |
| | 12 | GS12-185 | 12-185 | 13.0 (.512) | | | | | | | | | | | | | |
| | 16 | GS16-185 | 16-185 | 17.0 (.669) | | | | | | | | | | | | | |
| >185 to 240 (350 to 450MCM) | 10 | GS10-240 | 10-240 | 10.5 (.413) | 50.5 (1.988) | 26.0 (1.024) | 69.0 (2.717) | 32.0(1.260) | 23.5(.925) | 4.0 (.157) | JSH-325 | 10 | | | | | |
| | 12 | GS12-240 | 12-240 | 13.0 (.512) | | | | | | | | | | | | | |
| | 12 | GS12L-240 | | 13.0 (.512) | | | | | | | | | 44.0 (1.732) | 25.0 (.984) | 69.0 (2.717) | 31.5(1.240) | 24.0(.945) |
| | 16 | GS16-240 | 16-240 | 17.0 (.669) | | | | | | | | | 38.0 (1.496) | 20.0 (.787) | 56.0 (2.205) | 32.0(1.260) | 23.5(.925) |
| | 16 | GS16L-240 | | 17.0 (.669) | | | | | | | | | 44.0 (1.732) | 25.0 (.984) | 69.0 (2.717) | 31.5(1.240) | 24.0(.945) |
| | 22 | GS22L-240 | | 23.0 (.906) | | | | | | | | | 44.0 (1.732) | 25.0 (.984) | 69.0 (2.717) | 31.5(1.240) | 24.0(.945) |
| >240 to 300 (500 to 600MCM) | 10 | GS10-300 | | 10.5 (.413) | 50.5 (1.988) | 26.0 (1.024) | 69.0 (2.717) | 35.5 (1.398) | 28.0 (1.102) | 4.5 (.177) | - | 5 | | | | | |
| | 12 | GS12-300 | | 13.0 (.512) | | | | | | | | 26.0 (1.024) | 69.0 (2.717) | 25 | | | |
| | 12 | GS12L-300 | | 13.0 (.512) | | | | | | | | 30.0 (1.181) | 80.5 (3.169) | 5 | | | |
| | 16 | GS16-300 | | 17.0 (.669) | | | | | | | | 26.0 (1.024) | 69.0 (2.717) | 25 | | | |
| | 22 | GS22L-300 | | 23.0 (.906) | | | | | | | | 30.0 (1.181) | 80.5 (3.169) | 5 | | | |

Note:1) Contact J.S.T. Europe N.V., Belgium for the above tools.
 2) Delivery lead times may vary depending on the product. Contact JST for details.