

## High-Accuracy, High-Side, Adjustable Current-Limit Power Switch

### Features

- $\pm 5\%$  Current-Limit Accuracy
- Input Supply Range from 2.5V to 5.5V
- Low Quiescent Current: 100  $\mu$ A Typical (Switch ON)
- 75 m $\Omega$  Typical  $R_{DS(ON)}$  at 5V
- 0.2A to 2.5A Adjustable Output Current
- Kickstart: Momentary Secondary Current-Limit Threshold (120 ms period)
- Soft-Start Functionality
- Undervoltage Lockout (UVLO)
- Fast 10  $\mu$ s Short-Circuit Response Time (Non-Kickstart Options)
- Fault Status Output Flag
- Logic Controlled Enable (Active-High, Active-Low)
- Thermal Shutdown
- Pin Compatible with MIC2009/MIC2019
- 6-Pin 2 mm x 2 mm Thin DFN and 6-Pin SOT-23 Packages
- Junction Temperature Range from  $-40^{\circ}\text{C}$  to  $+125^{\circ}\text{C}$

### Applications

- USB Peripherals and USB 2.0/3.0-Compatible
- DTV/STB
- Notebooks and Consumer Electronics
- General Purpose Power Distribution

### General Description

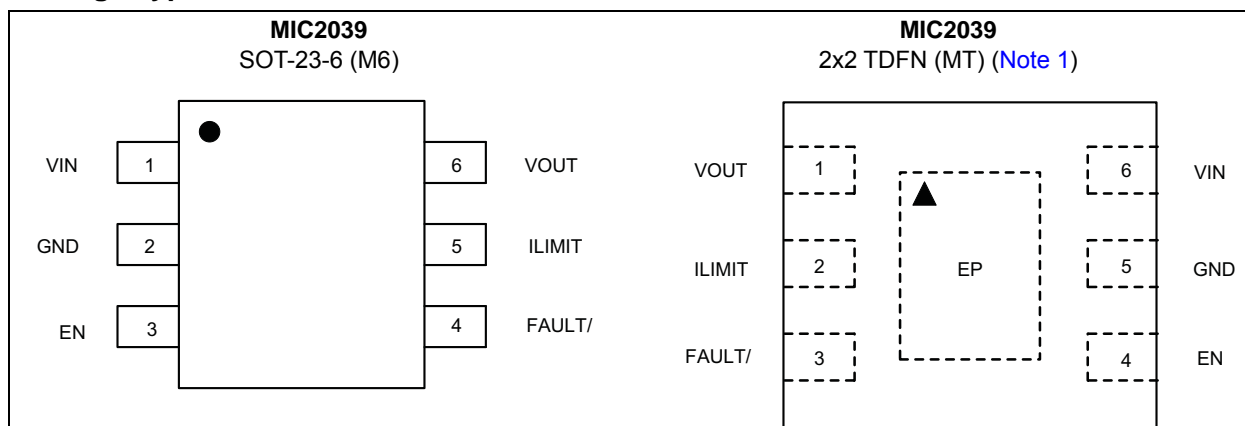
The MIC2039 is a high-side MOSFET power distribution switch that provides increased system reliability by using 5% current-limit accuracy.

The MIC2039 has an operating input voltage range from 2.5V to 5.5V, is internally current-limited, and has thermal shutdown to protect the device and system. The MIC2039 is offered with either active-high or active-low logic level enable input controls. It has an open drain fault status output flag with a built-in 32 ms delay that asserts low during overcurrent or thermal-shutdown conditions.

The MIC2039 features an adjustable output current limit that is resistor-programmable from 0.2A to 2.5A. The MIC2039 also offers a unique, kickstart feature that allows momentary high-current surges up to the secondary current limit ( $I_{LIMIT\_2nd}$ ) during startup or while operating in steady-state. This is useful for charging loads with high inrush currents, such as capacitors. After an overcurrent condition is established, these switches enter into a constant current-limit mode unless the die temperature exceeds the thermal-shutdown specification.

The MIC2039 is available in 6-pin SOT-23 and 6-pin 2 mm x 2 mm thin DFN packages. The MIC2039 has an operating junction temperature range of  $-40^{\circ}\text{C}$  to  $+125^{\circ}\text{C}$ .

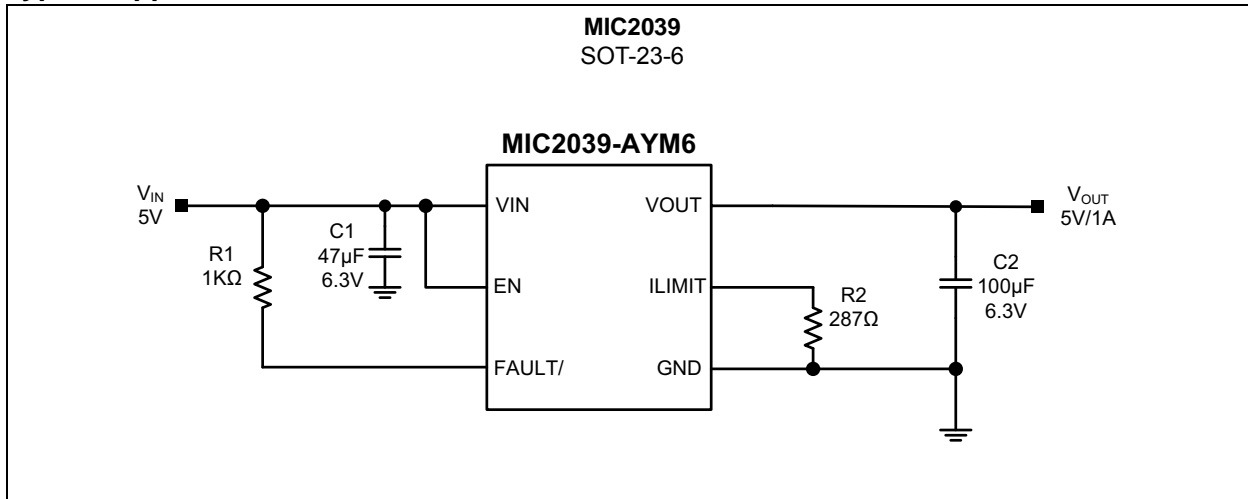
### Package Types



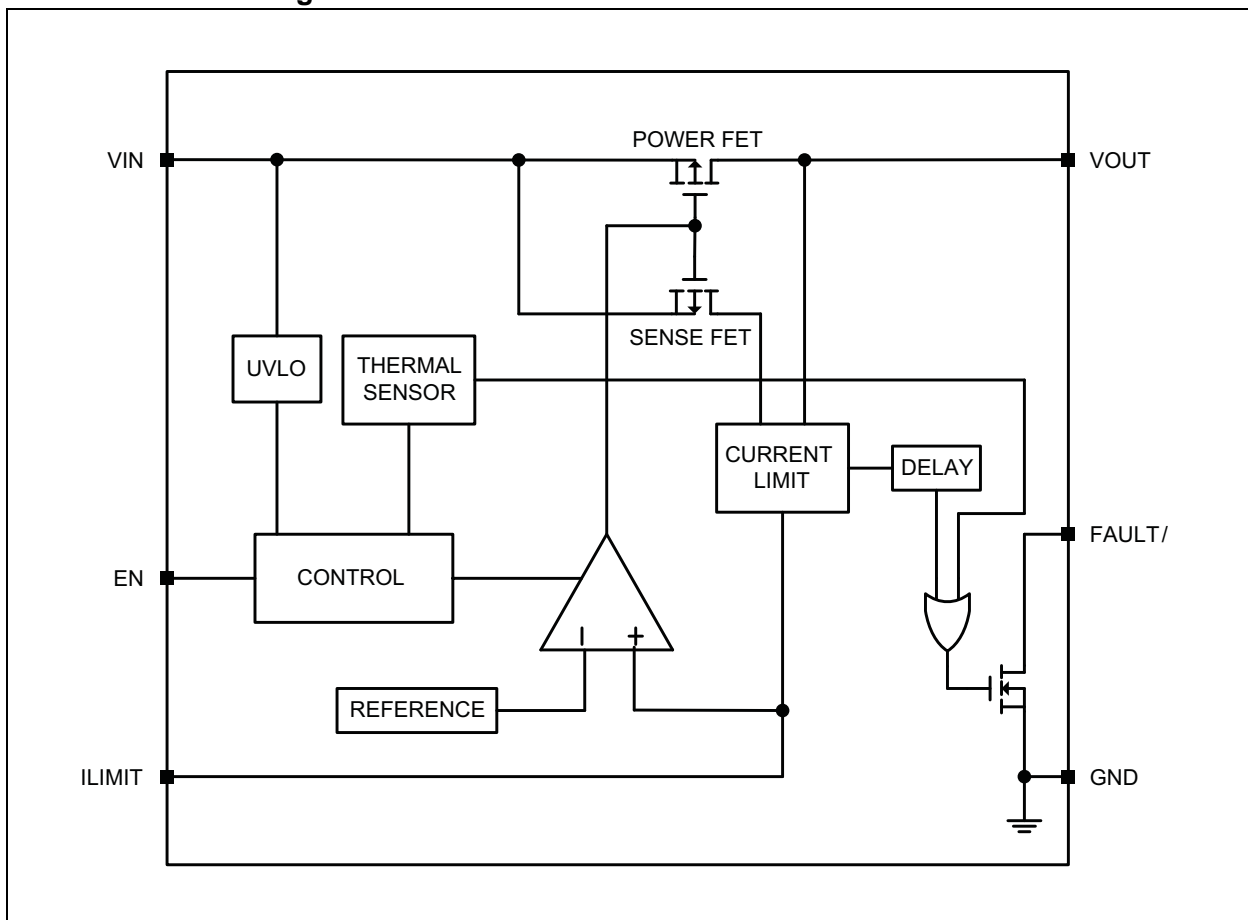
**Note 1:** Thin DFN  $\blacktriangle$  = Pin 1 identifier.

# MIC2039

## Typical Application Circuit



## Functional Block Diagram



## 1.0 ELECTRICAL CHARACTERISTICS

### Absolute Maximum Ratings †

|                                     |                          |
|-------------------------------------|--------------------------|
| $V_{IN}$ to GND                     | -0.3V to +6V             |
| $V_{OUT}$ to GND                    | -0.3V to $V_{IN}$        |
| $V_{ILIMIT}$ to GND                 | -0.3V to $V_{IN} + 0.3V$ |
| $V_{EN}$ to GND                     | -0.3V to $V_{IN}$        |
| $V_{FAULT/}$ to GND                 | -0.3V to $V_{IN} + 0.3V$ |
| FAULT/ Current ( $I_{FAULT/}$ )     | 25 mA                    |
| Maximum Power Dissipation ( $P_D$ ) | Internally Limited       |
| ESD Rating (HBM) (Note 1)           | 3 kV                     |
| ESD Rating (MM) (Note 1)            | 300V                     |

### Operating Ratings ‡

|                             |                   |
|-----------------------------|-------------------|
| Supply Voltage ( $V_{IN}$ ) | +2.5V to +5.5V    |
| $V_{EN}$                    | -0.3V to $V_{IN}$ |
| $V_{FAULT/}$                | -0.3V to +5.5V    |
| $V_{ILIMIT}, V_{OUT}$       | -0.3V to $V_{IN}$ |

† **Notice:** Stresses above those listed under “Absolute Maximum Ratings” may cause permanent damage to the device. This is a stress rating only and functional operation of the device at those or any other conditions above those indicated in the operational sections of this specification is not intended. Exposure to maximum rating conditions for extended periods may affect device reliability.

‡ **Notice:** The device is not guaranteed to function outside its operating ratings.

**Note 1:** Devices are ESD sensitive. Handling precautions are recommended. Human body model, 1.5 k $\Omega$  in series with 100 pF.

# MIC2039

**TABLE 1-1: ELECTRICAL CHARACTERISTICS**

**Electrical Characteristics:**  $V_{IN} = V_{EN} = 5V$ ,  $C_{IN} = 1 \mu F$ ;  $T_J = +25^\circ C$ , unless noted. **Bold** values indicate  $-40^\circ C \leq T_J \leq +125^\circ C$ . (**Note 1**).

| Symbol                    | Parameters   | Min.       | Typ. | Max.       | Units      | Conditions  |
|---------------------------|--|------------|------|------------|------------|---|
| <b>Power Supply Input</b> |  |            |      |            |            |   |
| $V_{IN}$                  | Input Voltage Range                                      | <b>2.5</b> | —    | <b>5.5</b> | V          | —   |
| $V_{UVLO}$                | Input Supply Undervoltage Lockout Threshold              | <b>2.0</b> | 2.25 | <b>2.5</b> | V          | $V_{IN}$ rising   |
|                           |  | <b>1.9</b> | 2.15 | <b>2.4</b> |            | $V_{IN}$ falling  |
| $V_{UVLOHYS}$             | Input Supply Undervoltage Lockout Threshold Hysteresis   | —          | 100  | —          | mV         | $V_{IN}$ rising or $V_{IN}$ falling   |
| $I_{DD}$                  | Supply Current   | —          | 0.75 | <b>5</b>   | $\mu A$    | Switch OFF; Active-High Enable (A): $V_{EN} = 0V$ , $V_{IN} = 5V$ , $I_{OUT} = 0A$  |
|                           |  |            |      |            |            | Switch OFF; Active-Low Enable (B): $V_{EN} = 1.5V$ , $V_{IN} = 5V$ , $I_{OUT} = 0A$ |
|                           |  | —          | 100  | <b>300</b> | $\mu A$    | Switch ON; Active-High Enable (A): $V_{EN} = 1.5V$ , $V_{IN} = 5V$ , $I_{OUT} = 0A$ |
|                           |  |            |      |            |            | Switch ON; Active-Low Enable (B): $V_{EN} = 0V$ , $V_{IN} = 5V$ , $I_{OUT} = 0A$    |
| <b>Power MOSFET</b>       |  |            |      |            |            |   |
| $R_{DS(ON)}$              | Switch On-Resistance                                     | —          | 100  | <b>177</b> | m $\Omega$ | $V_{IN} = 2.5V$ , $I_{OUT} = 350 mA$  |
|                           |  | —          | 85   | <b>145</b> |            | $V_{IN} = 3.3V$ , $I_{OUT} = 350 mA$  |
|                           |  | —          | 75   | <b>125</b> |            | $V_{IN} = 5V$ , $I_{OUT} = 350 mA$  |
| $I_{LKG}$                 | Output Leakage Current                                   | —          | 0.22 | <b>15</b>  | $\mu A$    | Switch OFF, $V_{OUT} = 0V$  |
| <b>Current Limit</b>      |  |            |      |            |            |   |
| $I_{LIMIT}$               | Current Limit (Resistor Values are Standard 0.1% Values) | 2.35       | 2.5  | 2.65       | A          | $R_{LIMIT} = 115\Omega$ , $V_{IN} = 5V$ , $V_{OUT} = 0.8V \times V_{IN}$            |
|                           |  |            |      |            |            | $R_{LIMIT} = 115\Omega$ , $V_{IN} = 2.5V$ , $V_{OUT} = 0V$                          |
|                           |  | 1.90       | 2.0  | 2.10       |            | $R_{LIMIT} = 145\Omega$ , $V_{IN} = 5V$ , $V_{OUT} = 0.8V \times V_{IN}$            |
|                           |  |            |      |            |            | $R_{LIMIT} = 287\Omega$ , $V_{IN} = 5V$ , $V_{OUT} = 0.8V \times V_{IN}$            |
|                           |  | 0.475      | 0.50 | 0.525      |            | $R_{LIMIT} = 576\Omega$ , $V_{IN} = 5V$ , $V_{OUT} = 0.8V \times V_{IN}$            |
|                           |  | 0.19       | 0.20 | 0.21       |            | $R_{LIMIT} = 1.45 k\Omega$ , $V_{IN} = 5V$ , $V_{OUT} = 0.8V \times V_{IN}$         |
| $I_{LIMIT\_2ND}$          | Secondary Current Limit (Kickstart parts only)           | 2.2        | 3.2  | 6.0        | A          | $V_{OUT} = 0V$  |

**Note 1:** Specification for packaged product only.

**2:** See [Timing Diagrams](#).

**3:** For dynamic current loads faster than typically 30 mA/ms. Slower current loads will delay the deactivation of  $V_{OUT}$  and the current limitation, allowing FAULT/ to be asserted before these.

**TABLE 1-1: ELECTRICAL CHARACTERISTICS (CONTINUED)**

**Electrical Characteristics:**  $V_{IN} = V_{EN} = 5V$ ,  $C_{IN} = 1 \mu F$ ;  $T_J = +25^\circ C$ , unless noted. **Bold** values indicate  $-40^\circ C \leq T_J \leq +125^\circ C$ . (**Note 1**).

| Symbol                                       | Parameters  | Min.       | Typ. | Max.       | Units      | Conditions   |
|--|---|------------|------|------------|------------|--|
| <b>I/O</b>                                   |   |            |      |            |            |  |
| $V_{EN}$                                     | Enable Voltage  | —          | —    | <b>0.5</b> | V          | Logic-Low  |
|  |   | <b>1.5</b> | —    | —          |            | Logic-High   |
| $I_{EN}$                                     | Enable Input Current  | —          | 1    | —          | $\mu A$    | $0V \leq V_{EN} \leq 5V$                                     |
| $R_{FAULT/}$                                 | FAULT/ Output Resistance  | —          | —    | <b>25</b>  | $\Omega$   | $I_{OUT} = 10 \text{ mA}$                                    |
| $I_{FAULT/ OFF}$                             | FAULT/ Off Current  | —          | —    | 10         | $\mu A$    | $V_{FAULT/} = V_{IN}$  |
| <b>Thermal Protection</b>                    |   |            |      |            |            |  |
| $T_{SD}$                                     | Thermal Shutdown Threshold  | —          | 157  | —          | $^\circ C$ | $T_J$ rising   |
| $T_{SDHYS}$                                  | Thermal Shutdown Hysteresis   | —          | 15   | —          | $^\circ C$ | —  |
| <b>Timing Specifications (AC Parameters)</b> |   |            |      |            |            |  |
| $t_{RISE}$                                   | Output Turn-On Rise Time ( <a href="#">Note 2</a> )                                       | —          | 700  | —          | $\mu s$    | $R_{LOAD} = 10\Omega$ ; $C_{OUT} = 1 \mu F$                  |
| $t_{FALL}$                                   | Output Turn-Off Fall Time ( <a href="#">Note 2</a> )                                      | —          | 32   | —          | $\mu s$    | $V_{EN} = OFF$ ; $R_{LOAD} = 10\Omega$ ; $C_{OUT} = 1 \mu F$ |
| $t_{ON\_DLY}$                                | Output Turn-On Delay ( <a href="#">Note 2</a> )   | —          | 700  | —          | $\mu s$    | $R_{LOAD} = 10\Omega$ ; $C_{OUT} = 1 \mu F$                  |
| $t_{OFF\_DLY}$                               | Output Turn-Off Delay ( <a href="#">Note 2</a> )  | —          | 5    | —          | $\mu s$    | $R_{LOAD} = 10\Omega$ ; $C_{OUT} = 1 \mu F$                  |
| $t_{SC\_RESP}$                               | Short Circuit Response Time ( <a href="#">Note 2</a> , <a href="#">Note 3</a> )           | —          | 10   | —          | $\mu s$    | $V_{OUT} = 0V$ (short-circuit)                               |
| $t_{FAULT/}$                                 | Overcurrent Fault Response Delay Time ( <a href="#">Note 2</a> , <a href="#">Note 3</a> ) | <b>16</b>  | 32   | <b>49</b>  | ms         | Non-kickstart parts.   |
| $t_{KICKSTART}$                              | Overcurrent Fault Response Delay During Kickstart ( <a href="#">Note 2</a> )              | <b>64</b>  | 120  | <b>200</b> | ms         | Kickstart parts only.  |

**Note 1:** Specification for packaged product only.

**2:** See [Timing Diagrams](#).

**3:** For dynamic current loads faster than typically 30 mA/ms. Slower current loads will delay the deactivation of  $V_{OUT}$  and the current limitation, allowing FAULT/ to be asserted before these.

# MIC2039

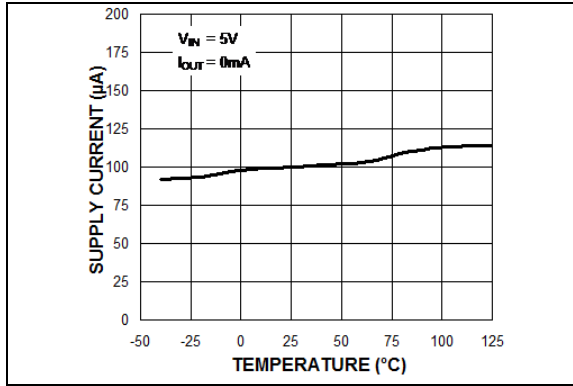
## TEMPERATURE SPECIFICATIONS

| Parameters                                    | Sym.          | Min. | Typ.  | Max. | Units | Conditions     |
|---|---------------|------|-------|------|-------|----------------|
| <b>Temperature Ranges</b>                     |               |      |       |      |       |                |
| Junction Operating Temperature Range          | $T_J$         | -40  | —     | +125 | °C    | Note 1         |
| Storage Temperature Range                     | $T_S$         | -65  | —     | +150 | °C    | —              |
| Lead Temperature                              | —             | —    | —     | +260 | °C    | Soldering, 10s |
| <b>Package Thermal Resistances</b>            |               |      |       |      |       |                |
| Thermal Resistance SOT-23-6                   | $\theta_{JA}$ | —    | 177.2 | —    | °C/W  | —              |
| Thermal Resistance 6-pin 2 mm x 2 mm Thin DFN | $\theta_{JA}$ | —    | 90    | —    | °C/W  | —              |

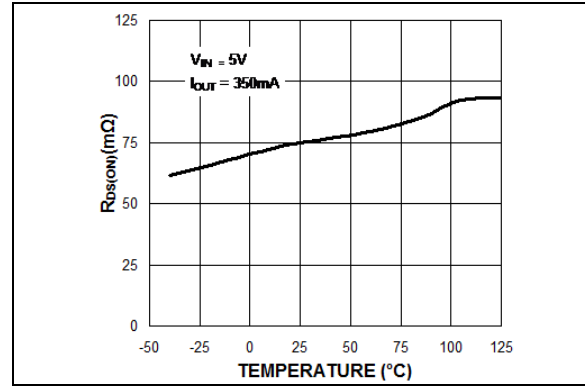
**Note 1:** The maximum allowable power dissipation is a function of ambient temperature, the maximum allowable junction temperature and the thermal resistance from junction to air (i.e.,  $T_A$ ,  $T_J$ ,  $\theta_{JA}$ ). Exceeding the maximum allowable power dissipation will cause the device operating junction temperature to exceed the maximum +125°C rating. Sustained junction temperatures above +125°C can impact the device reliability.

## 2.0 TYPICAL PERFORMANCE CURVES

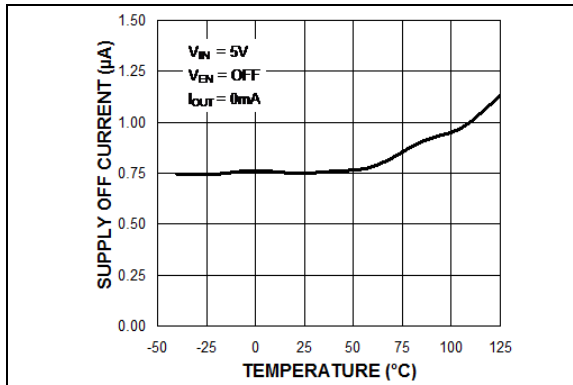
**Note:** The graphs and tables provided following this note are a statistical summary based on a limited number of samples and are provided for informational purposes only. The performance characteristics listed herein are not tested or guaranteed. In some graphs or tables, the data presented may be outside the specified operating range (e.g., outside specified power supply range) and therefore outside the warranted range.



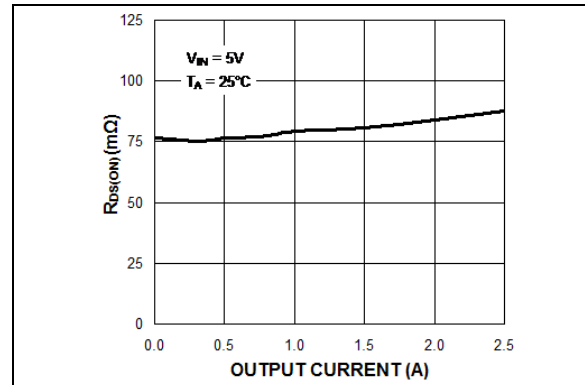
**FIGURE 2-1:** Input Supply Current vs. Temperature.



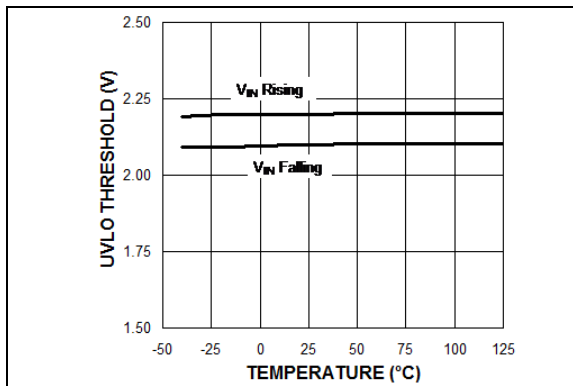
**FIGURE 2-4:**  $R_{DS(ON)}$  vs. Temperature.



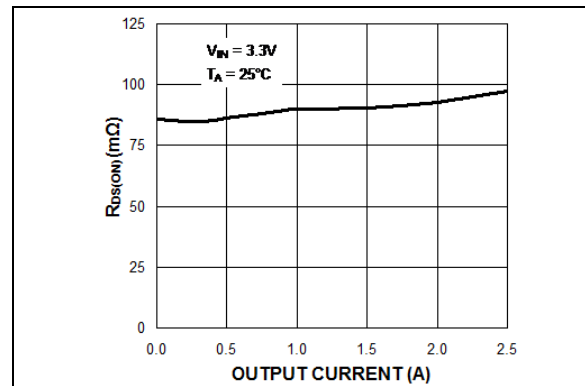
**FIGURE 2-2:**  $V_{IN}$  OFF Current vs. Temperature.



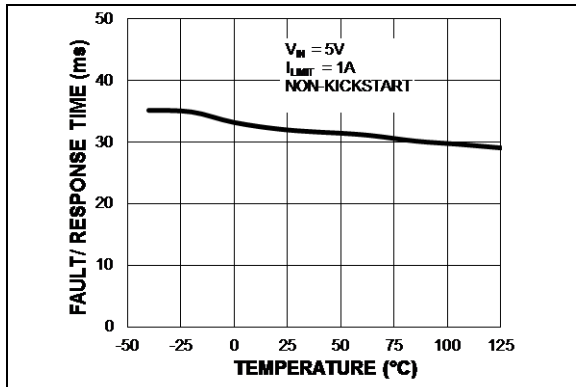
**FIGURE 2-5:**  $R_{DS(ON)}$  vs. Temperature.



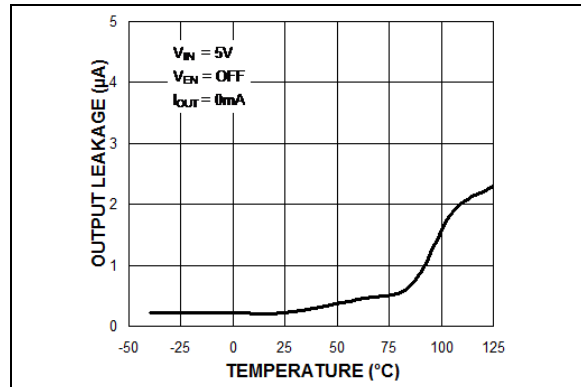
**FIGURE 2-3:** Undervoltage Lockout vs. Temperature.



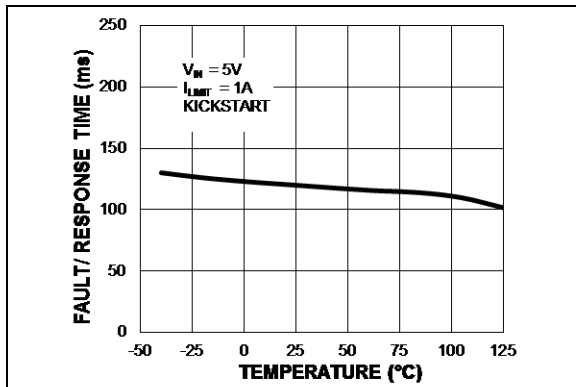
**FIGURE 2-6:**  $R_{DS(ON)}$  vs. Output Current.



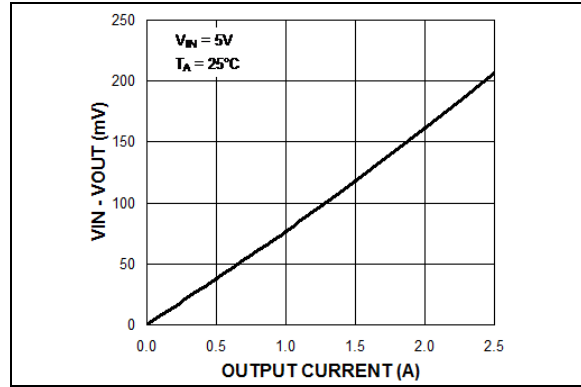
**FIGURE 2-7:** FAULT/ Response Time vs. Temperature.



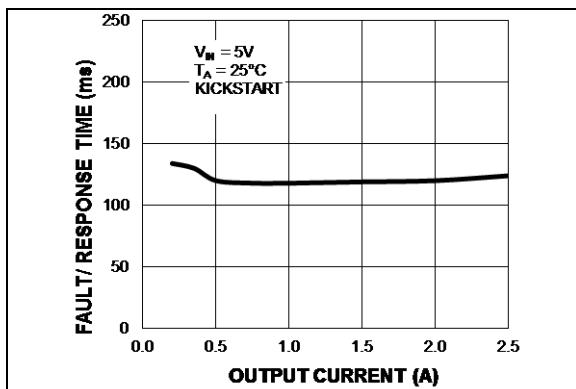
**FIGURE 2-10:** Output Leakage Current vs. Temperature.



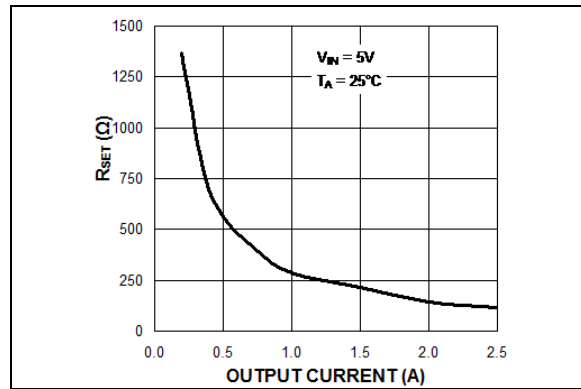
**FIGURE 2-8:** FAULT/ Response Time vs. Temperature.



**FIGURE 2-11:**  $V_{IN} - V_{OUT}$  vs. Output Current.

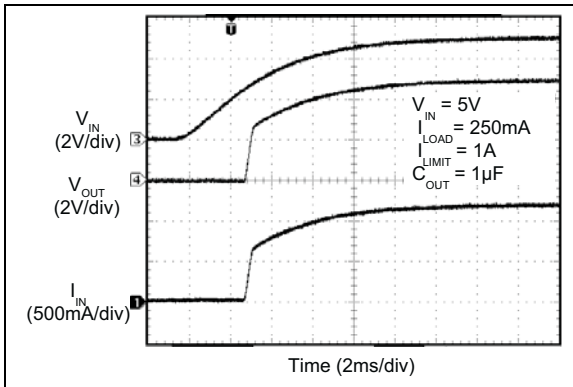


**FIGURE 2-9:** FAULT/ Response Time vs. Output Current.

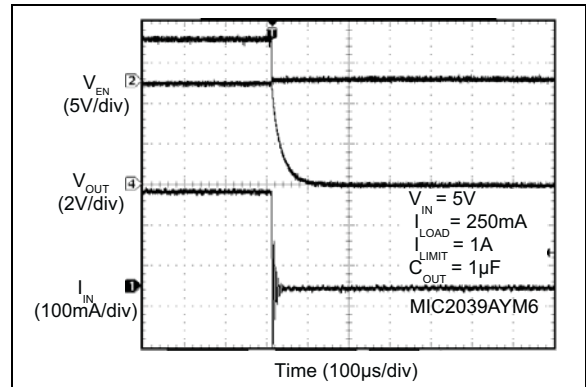


**FIGURE 2-12:** Current Limit Set Resistor vs. Output Current.

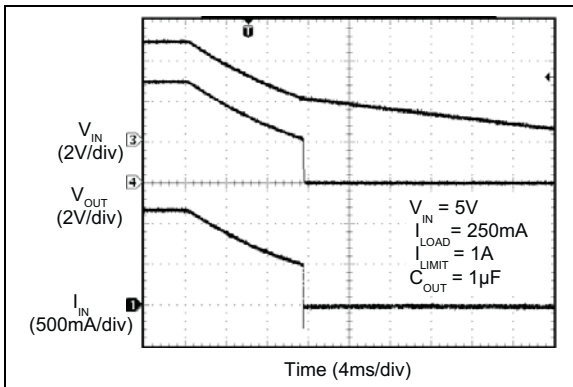




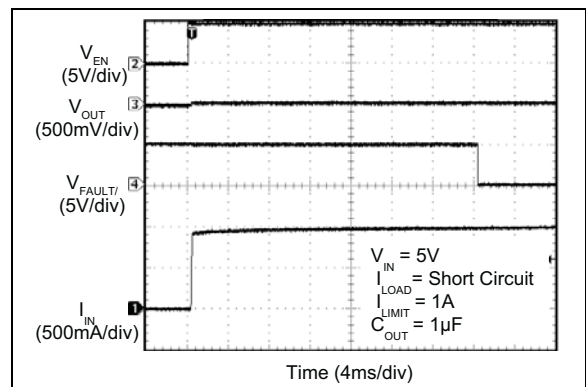
**FIGURE 2-13:** Soft-Start Turn-On.



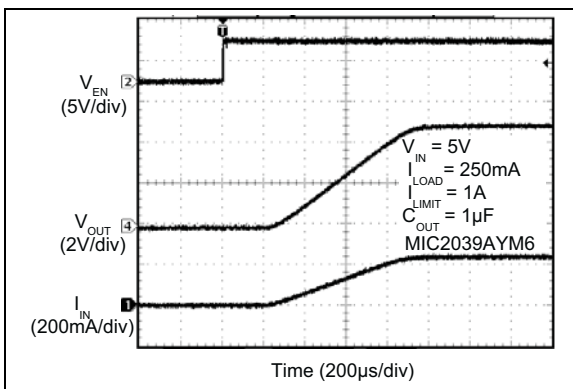
**FIGURE 2-16:** Enable Turn-Off.



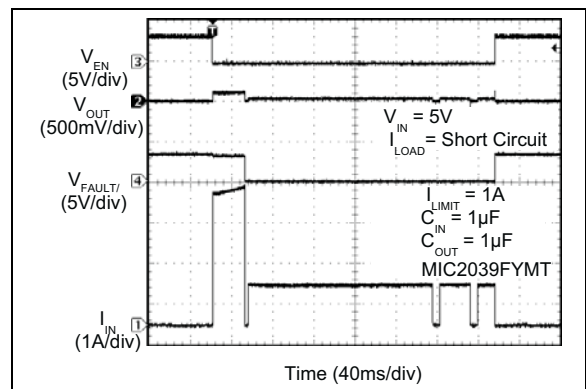
**FIGURE 2-14:** Soft-Start Turn-Off.



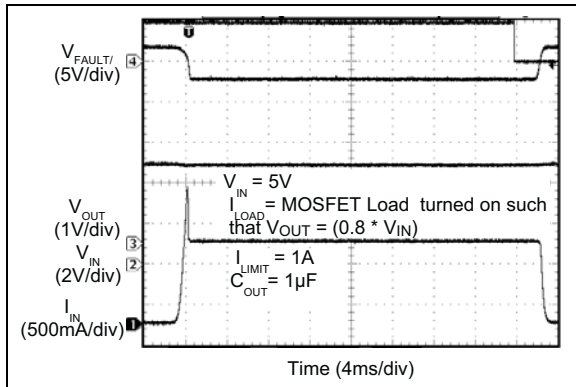
**FIGURE 2-17:** Turn-On Into Short-Circuit.



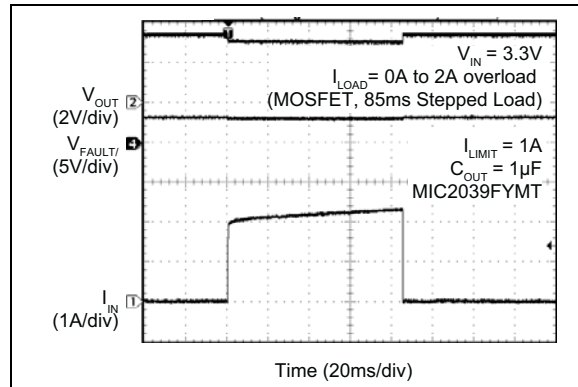
**FIGURE 2-15:** Enable Turn-On.



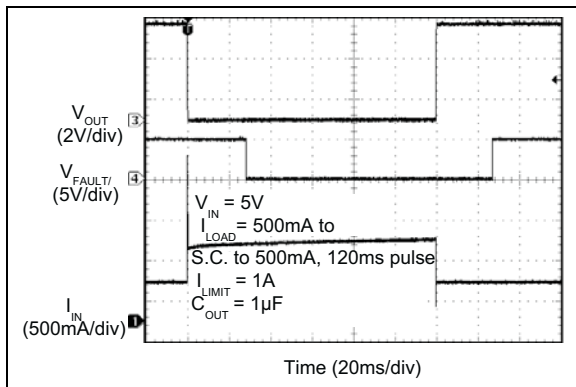
**FIGURE 2-18:** Turn-On Into Short (Kickstart).



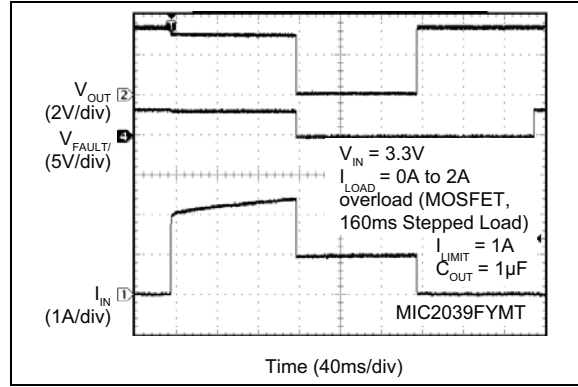
**FIGURE 2-19:** Current-Limit Response.



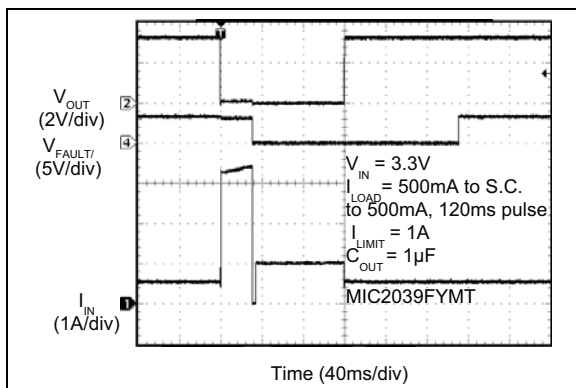
**FIGURE 2-22:** 85 ms Stepped Load Pulse (Kickstart).



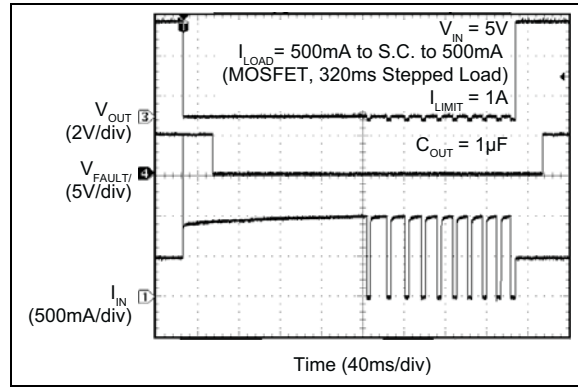
**FIGURE 2-20:** Output Recovery from Short-Circuit.



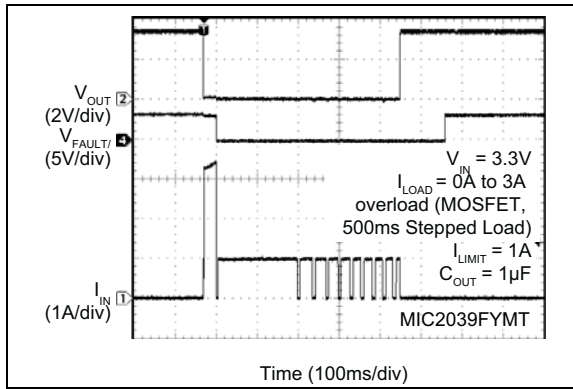
**FIGURE 2-23:** 160 ms Stepped Load Pulse (Kickstart).



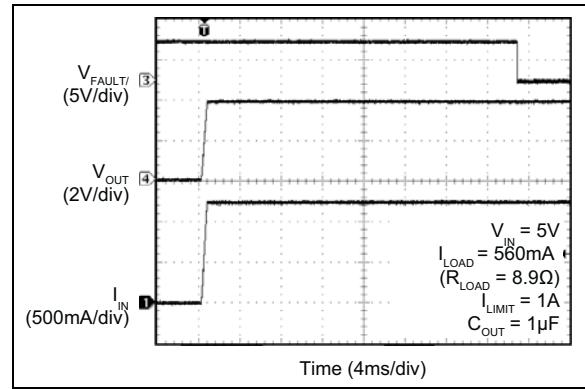
**FIGURE 2-21:** Output Recovery from Short-Circuit (Kickstart).



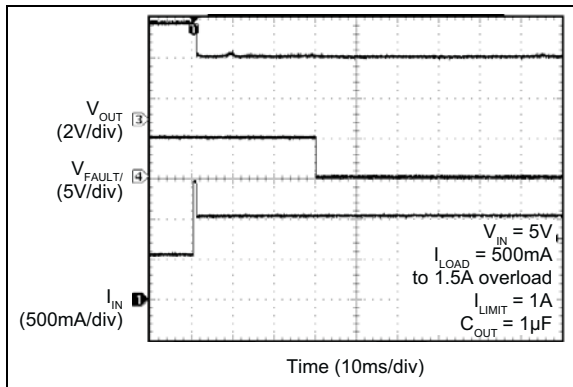
**FIGURE 2-24:** Output Thermal Shutdown and Recovery.



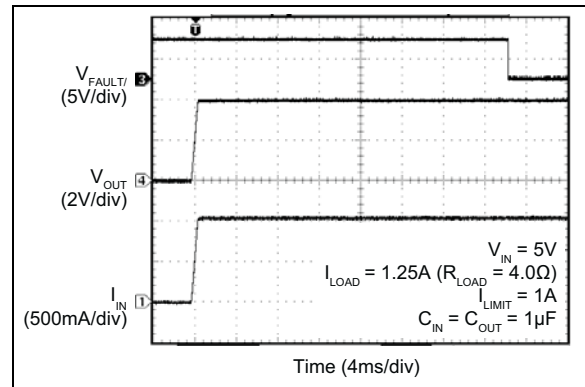
**FIGURE 2-25:** Output Thermal Shutdown and Recovery (Kickstart).



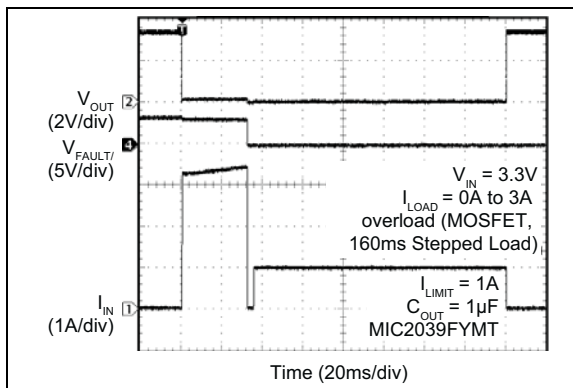
**FIGURE 2-28:** Turn-On into 12% Overload - 500 mA  $I_{LIMIT}$ .



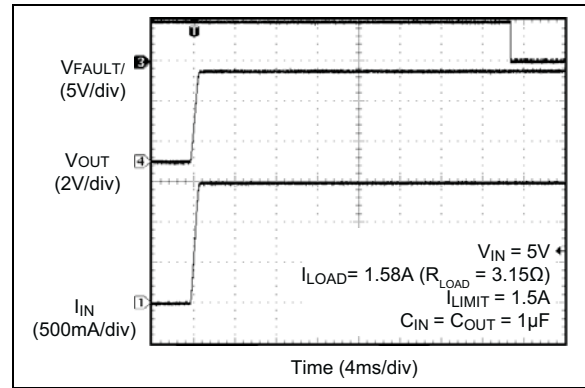
**FIGURE 2-26:** 1.5A Overload Response.



**FIGURE 2-29:** Turn-On into 25% Overload - 1A  $I_{LIMIT}$ .



**FIGURE 2-27:** 3A Overload Response (Kickstart).



**FIGURE 2-30:** Turn-On into Minimal Overload - 1.5A  $I_{LIMIT}$ .

# MIC2039

## 3.0 PIN DESCRIPTIONS

The descriptions of the pins are listed in [Table 3-1](#).

**TABLE 3-1: PIN FUNCTION TABLE**

| Pin Number<br>SOT-23-6L | Pin Number<br>Thin DFN | Pin Name           | Description  |
|-------------------------|------------------------|--------------------|--|
| 1                       | 6                      | V <sub>IN</sub>    | Input: Power switch and logic supply input.  |
| 2                       | 5                      | GND                | Ground: Input and output return pin.   |
| 3                       | 4                      | EN                 | Enable (Input): Logic compatible, enable control input that allows turn-on/off of the switch. Do not leave the EN pin floating.  |
| 4                       | 3                      | FAULT/             | Fault Status Flag (Output): Active-low, open-drain output. A logic-low state indicates an overcurrent or thermal shutdown condition. An overcurrent condition must last longer than t <sub>FAULT/</sub> in order to assert FAULT/. A pull-up resistor (10 kΩ recommended) to an external supply is required. |
| 5                       | 2                      | I <sub>LIMIT</sub> | Current Limit Set: Current limit adjust setting. Connect a resistor from this pin to GND to set the current limit, but do not leave the I <sub>LIMIT</sub> pin floating.   |
| 6                       | 1                      | V <sub>OUT</sub>   | Switch Output: Power switch output.  |
| —                       | EP                     | ePad               | Exposed Pad: Exposed pad on bottom side of package. Connect to electrical ground for optimum thermal dissipation.  |

## 4.0 FUNCTIONAL DESCRIPTION

The MIC2039 is a high-side MOSFET power distribution switch that provides increased system reliability by using 5% current-limit accuracy. The MIC2039 is internally current-limited and has thermal shutdown, which protects the device and system.

The MIC2039 has a soft-start circuit that minimizes inrush current by slowing the turn-on time. Additionally, the MIC2039 has an optional kickstart feature, which momentarily overrides the normal current-limiting function to allow higher inrush and/or transient currents.

### 4.1 Soft-Start

Soft-start reduces the power supply input surge current at startup by controlling the output voltage rise time. The input surge appears while the output capacitor is charged up. A slower output rise time draws a lower input surge current.

### 4.2 Kickstart Inrush Overcurrent Filter

The MIC2039EYxx and MIC2039FYxx are equipped with a secondary current-limit that allows high inrush current transients to pass for a set period before the primary current-limit circuitry becomes active. The FAULT/ status flag does not assert during the kickstart period (typically 120 ms), which eliminates any false (FAULT/) assertions. The kickstart function is active during initial startup or while operating in steady state.

### 4.3 Input Capacitor

A 1  $\mu$ F to 100  $\mu$ F ceramic input capacitor is recommended for most applications. Place the input capacitor on the same side of the board and next to the MIC2039 to minimize the voltage ringing during transient and short-circuit conditions. Using two vias for each end of the capacitor to connect to the power and ground plane is also recommended.

An X7R or X5R dielectric ceramic capacitors is recommended because of their temperature performance. X7R-type capacitors change capacitance by 15% over their operating temperature range and are the most stable type of ceramic capacitors. Z5U and Y5V dielectric capacitors change value by as much as 50% and 60%, respectively, over their operating temperature ranges. To use a ceramic chip capacitor with Y5V dielectric, the value must be much higher than an X7R ceramic or a tantalum capacitor to ensure the same capacitance value over the operating temperature range.

### 4.4 Output Capacitor

The output capacitor type and placement criteria are the same as the input capacitor.

The exact amount of capacitance depends upon the specific application. For example, USB applications will typically use 150  $\mu$ F, whereas local consumers, such as microcontrollers, may require as little as 1  $\mu$ F.

Care must be taken when choosing the output capacitance for inductive loads. Without sufficient capacitance or clamping devices, sudden disconnects or shorts on VOUT can result in stresses beyond the device's absolute maximum ratings, even for short cables, which will damage the device.

### 4.5 Enable

The MIC2039 offers either an active-high or active-low enable input (EN) that allows ON/OFF control of the switch output. The current through the device reduces to near zero when the device is shut down, with only microamperes of leakage current. The EN input can be directly tied to V<sub>IN</sub> or driven by a voltage that is equal to or less than V<sub>IN</sub>. Do not leave this pin floating.

Care should be taken to ensure that the EN pin does not exceed V<sub>IN</sub> by more than 500 mV at any time. This includes at power-up and during load transients. Whenever possible, it is recommended to tie EN to V<sub>IN</sub> through a pull-up resistor and use an open-drain or open-collector device to change the state.

### 4.6 Adjustable Current-Limit

The MIC2039 current-limit is adjustable from 0.2A to 2.5A by connecting a resistor from the I<sub>LIMIT</sub> pin to GND. The following equation determines the resistor:

#### EQUATION 4-1:

$$R_{LIMIT} \cong \frac{289}{I_{LIMIT}}$$

Where:

I<sub>LIMIT</sub> Typical current-limit from Electrical Characteristics table.

If the output current exceeds the set current-limit, the MIC2039 switch enters constant current-limit mode. The maximum allowable current-limit can be less than the full specified and/or expected current if the MIC2039 is not mounted on a circuit board with sufficiently low thermal resistance. Table 4-1 shows resistor values (1%) for select current-limit settings.

**TABLE 4-1: RESISTOR SELECTION FOR ADJUSTABLE CURRENT-LIMIT**

| I <sub>LIMIT</sub> | 0.2A            | 0.5A         | 1.0A         | 2.0A         | 2.5A         |
|--------------------|-----------------|--------------|--------------|--------------|--------------|
| R <sub>LIMIT</sub> | 1.45 k $\Omega$ | 576 $\Omega$ | 287 $\Omega$ | 145 $\Omega$ | 115 $\Omega$ |

## 4.7 Thermal Design

To help reduce the thermal resistance, the ePad (underneath the IC) should be soldered to the PCB ground. The placement of thermal vias either underneath or near the ePad is highly recommended. Thermal design requires the following application-specific parameters:

- Maximum ambient temperature ( $T_A$ )
- Output current ( $I_{OUT}$ )
- Input voltage ( $V_{IN}$ )
- Current Limit ( $I_{LIMIT}$ )

When the MIC2039 is in constant current-limit mode, it may exceed the overtemperature threshold. If this occurs, the overtemperature condition will shut down the MIC2039 switch and the fault status flag will go active (assert low). After the switch cools down, it will turn on again. The user can maximize the MIC2039 power dissipation by either lowering the thermal resistance on the exposed pad (only the DFN package has an exposed pad) on the printed circuit board, or by limiting the maximum allowable ambient temperature.

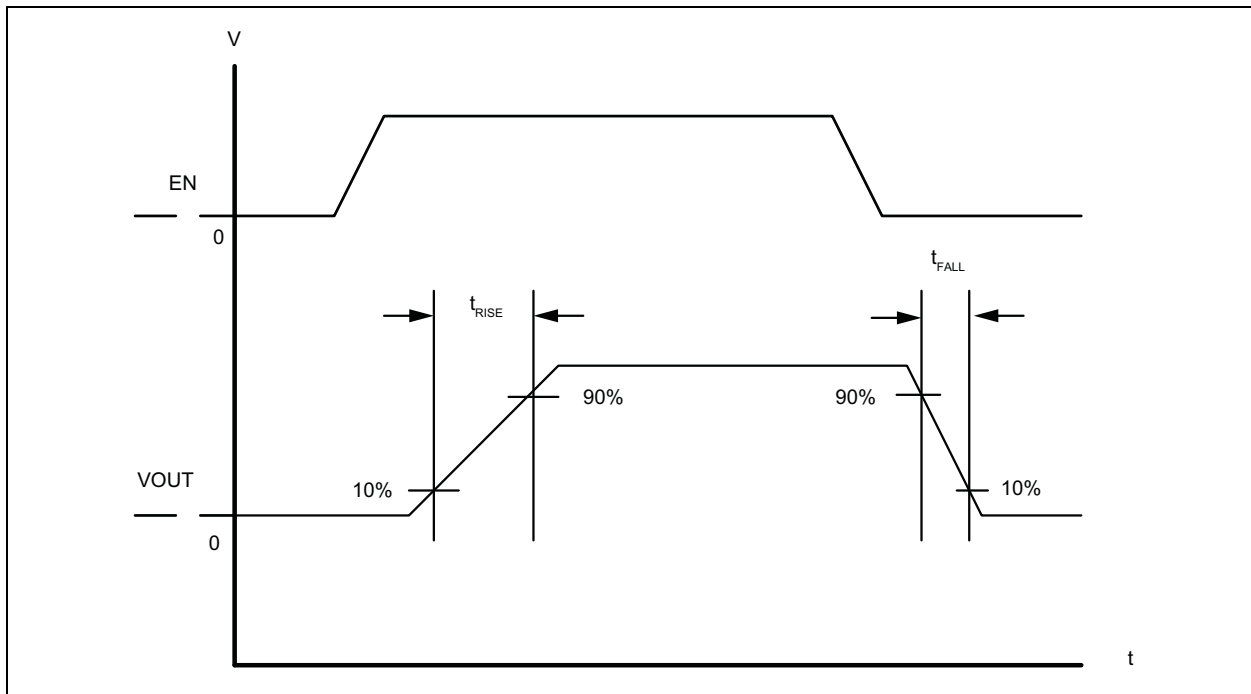
## 4.8 Thermal Measurements

It is always wise to measure the IC's case temperature to make sure that it is within its operating limits. Although this might seem like an elementary task, it is very easy to get false results. The most common mistake is to use the standard thermal couple that comes with the thermal voltage meter. This thermal couple wire gauge is large, typically 22 gauge, and behaves like a heatsink, resulting in a lower case measurement.

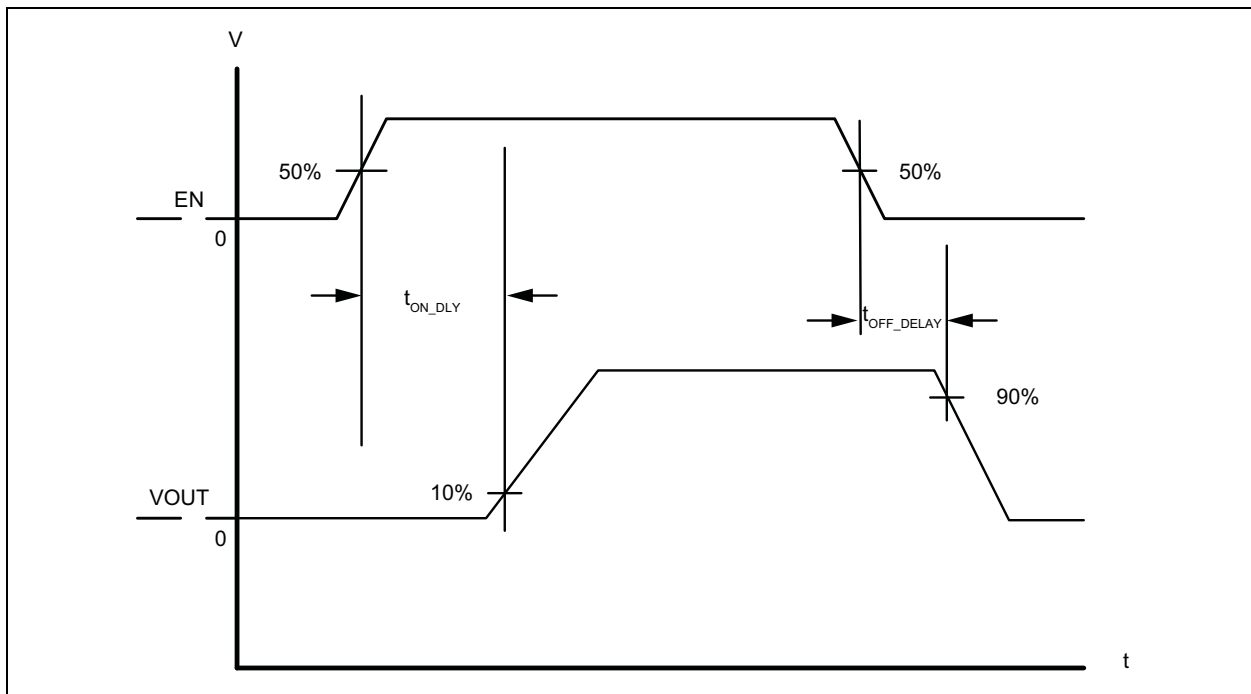
There are two suggested methods for measuring the IC case temperature: a thermal couple or an infrared thermometer. If a thermal couple is used, it must be constructed of 36 gauge wire or higher to minimize the wire heatsinking effect. In addition, the thermal couple tip must be covered in either thermal grease or thermal glue to make sure that the thermal couple junction is making good contact to the case of the IC. Thermal couple 5SC TT-K-36-36 from Omega is adequate for most applications.

To avoid using messy thermal couple grease or glue, an infrared thermometer is recommended. Most infrared thermometers' spot size is too large for an accurate reading on small form factor ICs. However, an IR thermometer from Optris has a 1 mm spot size, which makes it ideal for the 2 mm x 2 mm thin DFN package. Also, get the optional stand. The stand makes it easy to hold the beam on the IC for long periods of time.

## 5.0 TIMING DIAGRAMS

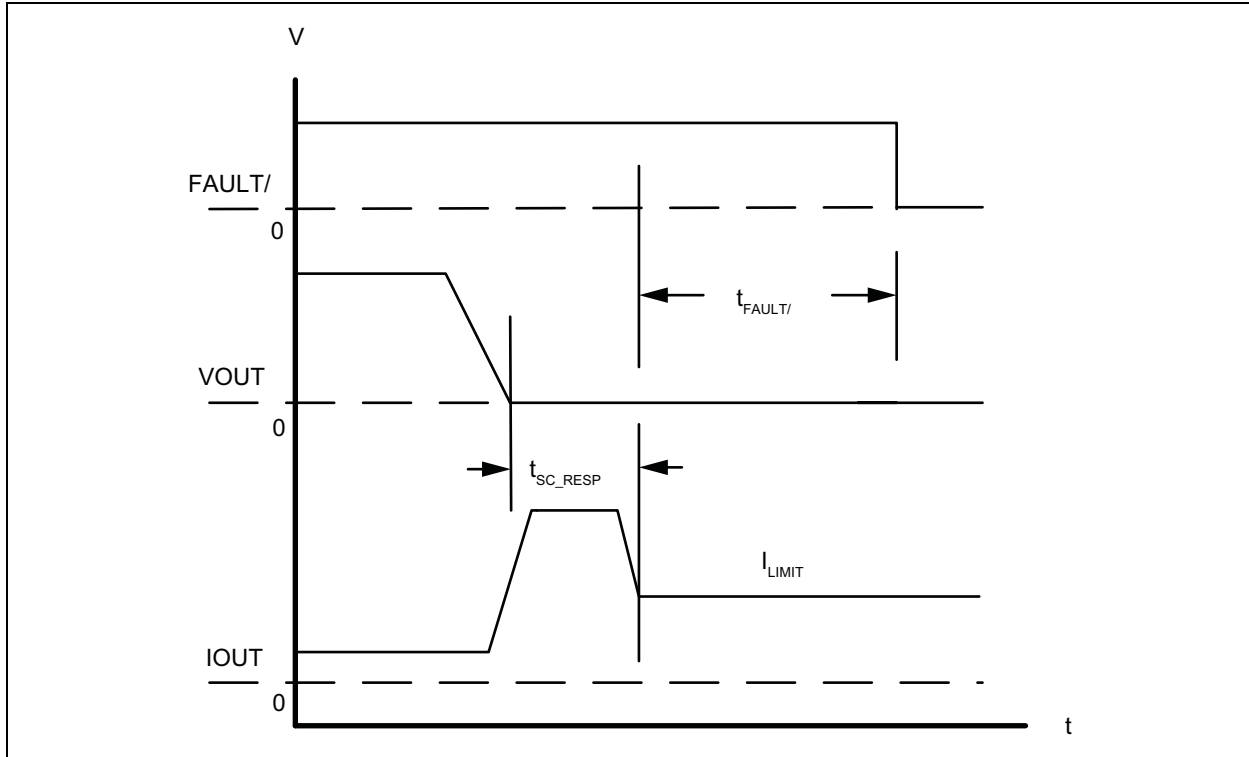


**FIGURE 5-1:** Output Rise/Fall Time.

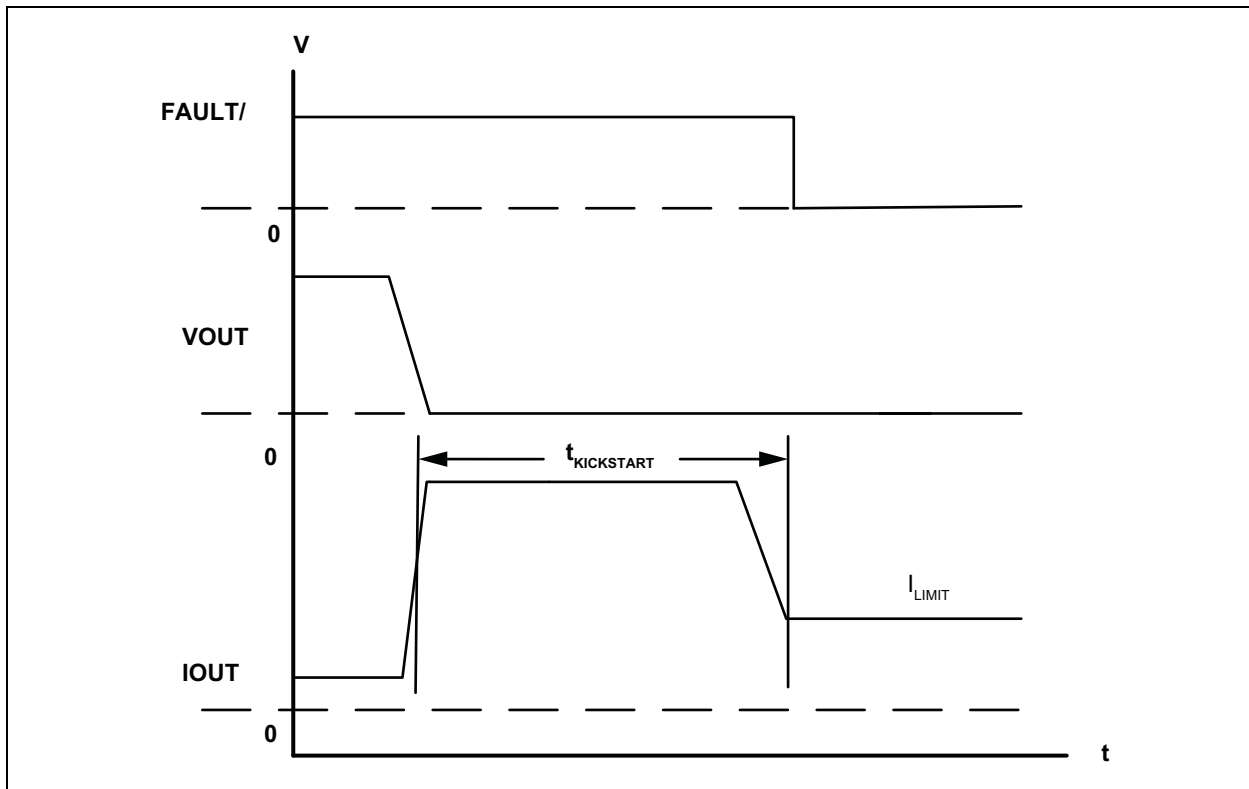


**FIGURE 5-2:** Turn-On/Off Delay.

# MIC2039



**FIGURE 5-3:** Short-Circuit Response Time and Overcurrent Fault Flag Delay (Non-Kickstart).



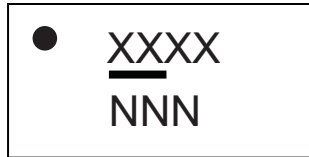
**FIGURE 5-4:** Overcurrent Fault Flag Delay (Kickstart).



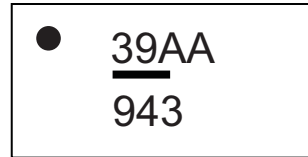
## 6.0 PACKAGING INFORMATION

### 6.1 Package Marking Information

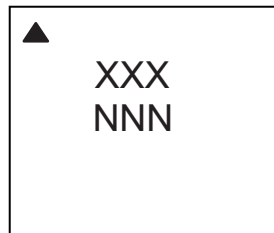
6-Pin SOT-23\*



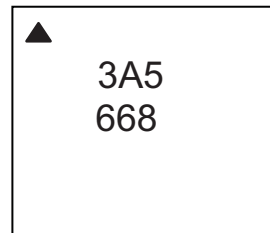
Example



6-Pin TDFN\*



Example

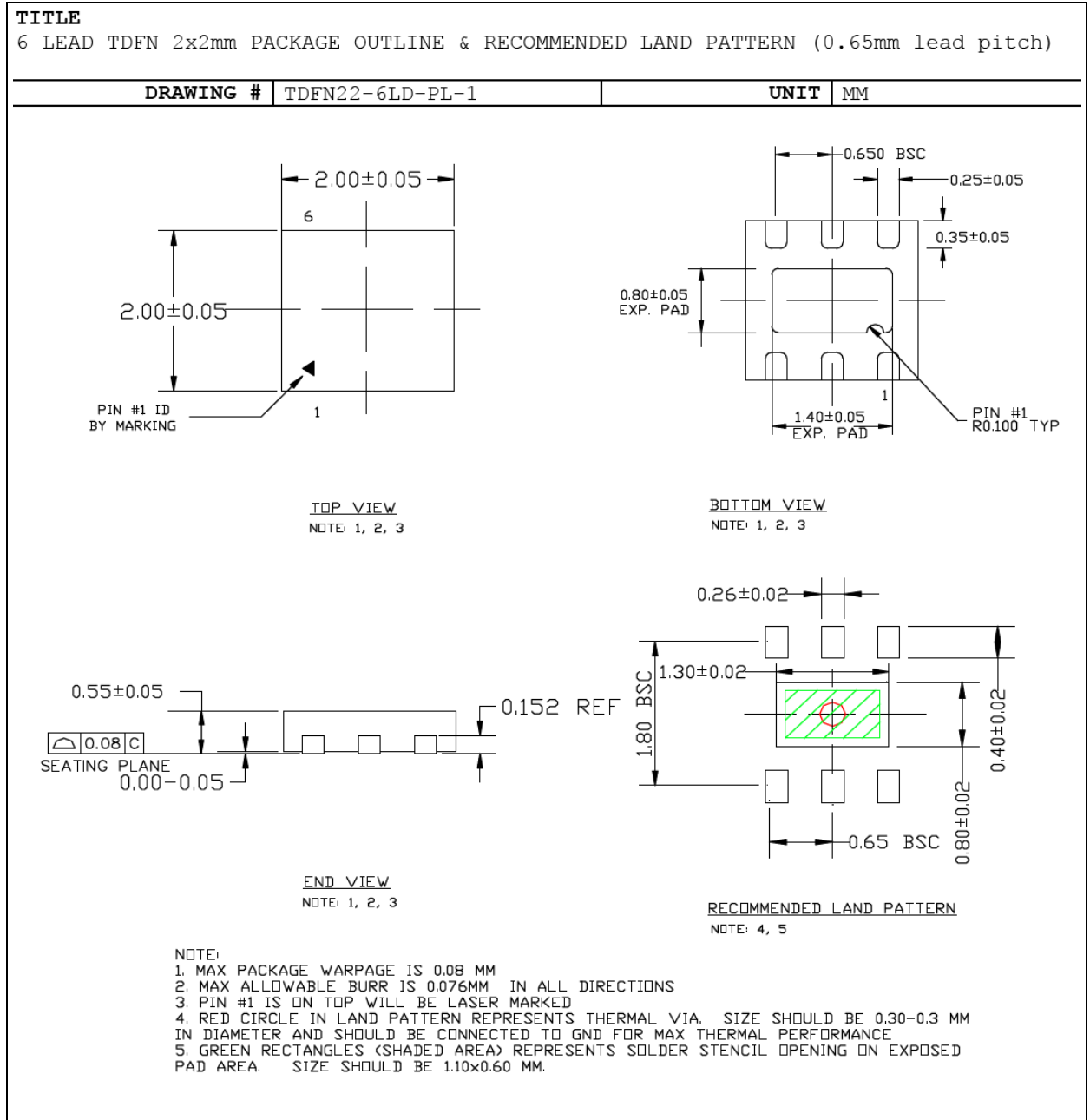


|                |  |  |
|----------------|--|--|
| <b>Legend:</b> | XX...X   | Product code or customer-specific information  |
|                | Y  | Year code (last digit of calendar year)  |
|                | YY   | Year code (last 2 digits of calendar year)   |
|                | WW   | Week code (week of January 1 is week '01')   |
|                | NNN  | Alphanumeric traceability code   |
|                | (e3)   | Pb-free JEDEC® designator for Matte Tin (Sn)   |
|                | *  | This package is Pb-free. The Pb-free JEDEC designator (e3) can be found on the outer packaging for this package. |
|                | •, ▲, ▼  | Pin one index is identified by a dot, delta up, or delta down (triangle mark).                                   |
| <b>Note:</b>   | In the event the full Microchip part number cannot be marked on one line, it will be carried over to the next line, thus limiting the number of available characters for customer-specific information. Package may or may not include the corporate logo. |  |
|                | Underbar (¯) and/or Overbar (¯) symbol may not be to scale.  |  |

# MIC2039

## 6-Lead TDFN 2 mm x 2 mm Package Outline and Recommended Land Pattern

**Note:** For the most current package drawings, please see the Microchip Packaging Specification located at <http://www.microchip.com/packaging>



## 6-Lead SOT-23 Package Outline and Recommended Land Pattern

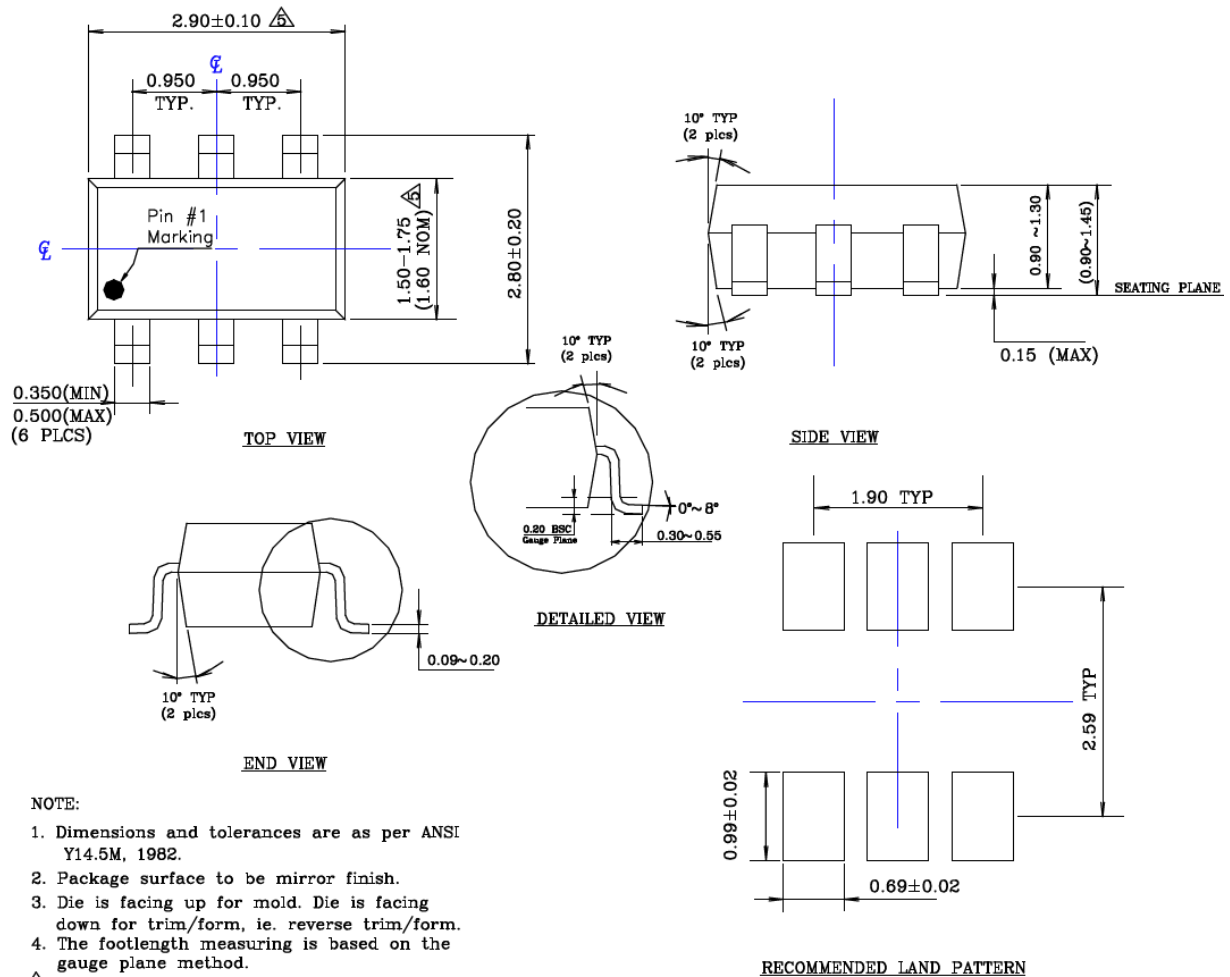
**Note:** For the most current package drawings, please see the Microchip Packaging Specification located at <http://www.microchip.com/packaging>

**TITLE**

6 LEAD SOT23 PACKAGE OUTLINE & RECOMMENDED LAND PATTERN

**DRAWING #** SOT23-6LD-PL-1

**UNIT** MM



**NOTE:**

1. Dimensions and tolerances are as per ANSI Y14.5M, 1982.
  2. Package surface to be mirror finish.
  3. Die is facing up for mold. Die is facing down for trim/form, ie. reverse trim/form.
  4. The footlength measuring is based on the gauge plane method.
- △ Dimension are exclusive of mold flash & gate burr.

# MIC2039

---

NOTES:

## APPENDIX A: REVISION HISTORY

### Revision A (March 2018)

- Converted Micrel document MIC2039 to Microchip data sheet DS20005540A.
- Minor text changes throughout.
- Value for C1 corrected in [Typical Application Circuit](#).

# MIC2039

---

NOTES:

## PRODUCT IDENTIFICATION SYSTEM

To order or obtain information, e.g., on pricing or delivery, contact your local Microchip representative or sales office.

| <u>PART NO.</u>   | <u>X</u>        | <u>X</u>   | <u>XX</u> | <u>-XX</u> |
|---|-----------------|--|-----------|------------|
| Device  | Enable          | Temperature  | Package   | Media Type |
| <b>Device:</b>  | MIC2039:        | High-Accuracy, High-Side, Adjustable Current-Limit Power Switch  |           |            |
| <b>Enable:</b>  | A =             | Active-High  |           |            |
|   | B =             | Active-Low   |           |            |
|   | E =             | Active-High with Kickstart   |           |            |
|   | F =             | Active-Low with Kickstart  |           |            |
| <b>Temperature:</b>   | Y =             | -40°C to +125°C  |           |            |
| <b>Package:</b>   | M6 =            | SOT-23-6L  |           |            |
|   | MT =            | 6-Lead 2 mm x 2 mm TDFN (Note 1)   |           |            |
| <b>Media Type:</b>  | T5 =            | 500/Reel   |           |            |
|   | TR =            | 3,000/Reel   |           |            |
| <b>Note 1:</b> Thin DFN is a GREEN RoHS-compliant package. Lead finish is NiPdAu. Mold compound is Halogen Free.  |                 |  |           |            |
| <b>Examples:</b>  |                 |  |           |            |
| a)  | MIC2039AYM6-T5: | High-Accuracy, High-Side, Adjustable Current-Limit Power Switch, Active-High Enable, -40°C to +125°C Temp. Range, SOT-23-6L Package, 500/Reel                    |           |            |
| b)  | MIC2039BYM6-TR: | High-Accuracy, High-Side, Adjustable Current-Limit Power Switch, Active-Low Enable, -40°C to +125°C Temp. Range, SOT-23-6L Package, 3,000/Reel                   |           |            |
| c)  | MIC2039AYMT-TR: | High-Accuracy, High-Side, Adjustable Current-Limit Power Switch, Active-High Enable, -40°C to +125°C Temp. Range, 6-Lead TDFN Package, 3,000/Reel                |           |            |
| d)  | MIC2039BYMT-T5: | High-Accuracy, High-Side, Adjustable Current-Limit Power Switch, Active-Low Enable, -40°C to +125°C Temp. Range, 6-Lead TDFN Package, 500/Reel                   |           |            |
| e)  | MIC2039EYM6-T5: | High-Accuracy, High-Side, Adjustable Current-Limit Power Switch, Active-High Enable with Kickstart, -40°C to +125°C Temp. Range, SOT-23-6L Package, 500/Reel     |           |            |
| f)  | MIC2039FYM6-TR: | High-Accuracy, High-Side, Adjustable Current-Limit Power Switch, Active-Low Enable with Kickstart, -40°C to +125°C Temp. Range, SOT-23-6L Package, 3,000/Reel    |           |            |
| g)  | MIC2039EYMT-TR: | High-Accuracy, High-Side, Adjustable Current-Limit Power Switch, Active-High Enable with Kickstart, -40°C to +125°C Temp. Range, 6-Lead TDFN Package, 3,000/Reel |           |            |
| h)  | MIC2039FYMT-T5: | High-Accuracy, High-Side, Adjustable Current-Limit Power Switch, Active-Low Enable with Kickstart, -40°C to +125°C Temp. Range, 6-Lead TDFN Package, 500/Reel    |           |            |
| <b>Note 1:</b> Tape and Reel identifier only appears in the catalog part number description. This identifier is used for ordering purposes and is not printed on the device package. Check with your Microchip Sales Office for package availability with the Tape and Reel option. |                 |  |           |            |

# MIC2039

---

NOTES:



---

---

**Note the following details of the code protection feature on Microchip devices:**

- Microchip products meet the specification contained in their particular Microchip Data Sheet.
- Microchip believes that its family of products is one of the most secure families of its kind on the market today, when used in the intended manner and under normal conditions.
- There are dishonest and possibly illegal methods used to breach the code protection feature. All of these methods, to our knowledge, require using the Microchip products in a manner outside the operating specifications contained in Microchip's Data Sheets. Most likely, the person doing so is engaged in theft of intellectual property.
- Microchip is willing to work with the customer who is concerned about the integrity of their code.
- Neither Microchip nor any other semiconductor manufacturer can guarantee the security of their code. Code protection does not mean that we are guaranteeing the product as “unbreakable.”

Code protection is constantly evolving. We at Microchip are committed to continuously improving the code protection features of our products. Attempts to break Microchip's code protection feature may be a violation of the Digital Millennium Copyright Act. If such acts allow unauthorized access to your software or other copyrighted work, you may have a right to sue for relief under that Act.

---

Information contained in this publication regarding device applications and the like is provided only for your convenience and may be superseded by updates. It is your responsibility to ensure that your application meets with your specifications. MICROCHIP MAKES NO REPRESENTATIONS OR WARRANTIES OF ANY KIND WHETHER EXPRESS OR IMPLIED, WRITTEN OR ORAL, STATUTORY OR OTHERWISE, RELATED TO THE INFORMATION, INCLUDING BUT NOT LIMITED TO ITS CONDITION, QUALITY, PERFORMANCE, MERCHANTABILITY OR FITNESS FOR PURPOSE. Microchip disclaims all liability arising from this information and its use. Use of Microchip devices in life support and/or safety applications is entirely at the buyer's risk, and the buyer agrees to defend, indemnify and hold harmless Microchip from any and all damages, claims, suits, or expenses resulting from such use. No licenses are conveyed, implicitly or otherwise, under any Microchip intellectual property rights unless otherwise stated.

*Microchip received ISO/TS-16949:2009 certification for its worldwide headquarters, design and wafer fabrication facilities in Chandler and Tempe, Arizona; Gresham, Oregon and design centers in California and India. The Company's quality system processes and procedures are for its PIC® MCUs and dsPIC® DSCs, KEELoQ® code hopping devices, Serial EEPROMs, microperipherals, nonvolatile memory and analog products. In addition, Microchip's quality system for the design and manufacture of development systems is ISO 9001:2000 certified.*

**QUALITY MANAGEMENT SYSTEM  
CERTIFIED BY DNV  
= ISO/TS 16949 =**

### Trademarks

The Microchip name and logo, the Microchip logo, AnyRate, AVR, AVR logo, AVR Freaks, BeaconThings, BitCloud, CryptoMemory, CryptoRF, dsPIC, FlashFlex, flexPWR, Heldo, JukeBlox, KEELoQ, KEELoQ logo, Kleer, LANCheck, LINK MD, maXStylus, maXTouch, MediaLB, megaAVR, MOST, MOST logo, MPLAB, OptoLyzer, PIC, picoPower, PICSTART, PIC32 logo, Prochip Designer, QTouch, RightTouch, SAM-BA, SpyNIC, SST, SST Logo, SuperFlash, tinyAVR, UNI/O, and XMEGA are registered trademarks of Microchip Technology Incorporated in the U.S.A. and other countries.

ClockWorks, The Embedded Control Solutions Company, EtherSynch, Hyper Speed Control, HyperLight Load, IntelliMOS, mTouch, Precision Edge, and Quiet-Wire are registered trademarks of Microchip Technology Incorporated in the U.S.A.

Adjacent Key Suppression, AKS, Analog-for-the-Digital Age, Any Capacitor, AnyIn, AnyOut, BodyCom, chipKIT, chipKIT logo, CodeGuard, CryptoAuthentication, CryptoCompanion, CryptoController, dsPICDEM, dsPICDEM.net, Dynamic Average Matching, DAM, ECAN, EtherGREEN, In-Circuit Serial Programming, ICSP, Inter-Chip Connectivity, JitterBlocker, KleerNet, KleerNet logo, Mindi, MiWi, motorBench, MPASM, MPF, MPLAB Certified logo, MPLIB, MPLINK, MultiTRAK, NetDetach, Omniscient Code Generation, PICDEM, PICDEM.net, PICKit, PICtail, PureSilicon, QMatrix, RightTouch logo, REAL ICE, Ripple Blocker, SAM-ICE, Serial Quad I/O, SMART-I.S., SQI, SuperSwitcher, SuperSwitcher II, Total Endurance, TSHARC, USBCheck, VariSense, ViewSpan, WiperLock, Wireless DNA, and ZENA are trademarks of Microchip Technology Incorporated in the U.S.A. and other countries.

SQTP is a service mark of Microchip Technology Incorporated in the U.S.A.

Silicon Storage Technology is a registered trademark of Microchip Technology Inc. in other countries.

GestIC is a registered trademark of Microchip Technology Germany II GmbH & Co. KG, a subsidiary of Microchip Technology Inc., in other countries.

All other trademarks mentioned herein are property of their respective companies.

© 2018, Microchip Technology Incorporated, All Rights Reserved.  
ISBN: 978-1-5224-2798-8



# MICROCHIP

## Worldwide Sales and Service

### AMERICAS

**Corporate Office**  
2355 West Chandler Blvd.  
Chandler, AZ 85224-6199  
Tel: 480-792-7200  
Fax: 480-792-7277  
Technical Support:  
<http://www.microchip.com/support>  
Web Address:  
[www.microchip.com](http://www.microchip.com)

**Atlanta**  
Duluth, GA  
Tel: 678-957-9614  
Fax: 678-957-1455

**Austin, TX**  
Tel: 512-257-3370

**Boston**  
Westborough, MA  
Tel: 774-760-0087  
Fax: 774-760-0088

**Chicago**  
Itasca, IL  
Tel: 630-285-0071  
Fax: 630-285-0075

**Dallas**  
Addison, TX  
Tel: 972-818-7423  
Fax: 972-818-2924

**Detroit**  
Novi, MI  
Tel: 248-848-4000

**Houston, TX**  
Tel: 281-894-5983

**Indianapolis**  
Noblesville, IN  
Tel: 317-773-8323  
Fax: 317-773-5453  
Tel: 317-536-2380

**Los Angeles**  
Mission Viejo, CA  
Tel: 949-462-9523  
Fax: 949-462-9608  
Tel: 951-273-7800

**Raleigh, NC**  
Tel: 919-844-7510

**New York, NY**  
Tel: 631-435-6000

**San Jose, CA**  
Tel: 408-735-9110  
Tel: 408-436-4270

**Canada - Toronto**  
Tel: 905-695-1980  
Fax: 905-695-2078

### ASIA/PACIFIC

**Australia - Sydney**  
Tel: 61-2-9868-6733

**China - Beijing**  
Tel: 86-10-8569-7000

**China - Chengdu**  
Tel: 86-28-8665-5511

**China - Chongqing**  
Tel: 86-23-8980-9588

**China - Dongguan**  
Tel: 86-769-8702-9880

**China - Guangzhou**  
Tel: 86-20-8755-8029

**China - Hangzhou**  
Tel: 86-571-8792-8115

**China - Hong Kong SAR**  
Tel: 852-2943-5100

**China - Nanjing**  
Tel: 86-25-8473-2460

**China - Qingdao**  
Tel: 86-532-8502-7355

**China - Shanghai**  
Tel: 86-21-3326-8000

**China - Shenyang**  
Tel: 86-24-2334-2829

**China - Shenzhen**  
Tel: 86-755-8864-2200

**China - Suzhou**  
Tel: 86-186-6233-1526

**China - Wuhan**  
Tel: 86-27-5980-5300

**China - Xian**  
Tel: 86-29-8833-7252

**China - Xiamen**  
Tel: 86-592-2388138

**China - Zhuhai**  
Tel: 86-756-3210040

### ASIA/PACIFIC

**India - Bangalore**  
Tel: 91-80-3090-4444

**India - New Delhi**  
Tel: 91-11-4160-8631

**India - Pune**  
Tel: 91-20-4121-0141

**Japan - Osaka**  
Tel: 81-6-6152-7160

**Japan - Tokyo**  
Tel: 81-3-6880-3770

**Korea - Daegu**  
Tel: 82-53-744-4301

**Korea - Seoul**  
Tel: 82-2-554-7200

**Malaysia - Kuala Lumpur**  
Tel: 60-3-7651-7906

**Malaysia - Penang**  
Tel: 60-4-227-8870

**Philippines - Manila**  
Tel: 63-2-634-9065

**Singapore**  
Tel: 65-6334-8870

**Taiwan - Hsin Chu**  
Tel: 886-3-577-8366

**Taiwan - Kaohsiung**  
Tel: 886-7-213-7830

**Taiwan - Taipei**  
Tel: 886-2-2508-8600

**Thailand - Bangkok**  
Tel: 66-2-694-1351

**Vietnam - Ho Chi Minh**  
Tel: 84-28-5448-2100

### EUROPE

**Austria - Wels**  
Tel: 43-7242-2244-39  
Fax: 43-7242-2244-393

**Denmark - Copenhagen**  
Tel: 45-4450-2828  
Fax: 45-4485-2829

**Finland - Espoo**  
Tel: 358-9-4520-820

**France - Paris**  
Tel: 33-1-69-53-63-20  
Fax: 33-1-69-30-90-79

**Germany - Garching**  
Tel: 49-8931-9700

**Germany - Haan**  
Tel: 49-2129-3766400

**Germany - Heilbronn**  
Tel: 49-7131-67-3636

**Germany - Karlsruhe**  
Tel: 49-721-625370

**Germany - Munich**  
Tel: 49-89-627-144-0  
Fax: 49-89-627-144-44

**Germany - Rosenheim**  
Tel: 49-8031-354-560

**Israel - Ra'anana**  
Tel: 972-9-744-7705

**Italy - Milan**  
Tel: 39-0331-742611  
Fax: 39-0331-466781

**Italy - Padova**  
Tel: 39-049-7625286

**Netherlands - Drunen**  
Tel: 31-416-690399  
Fax: 31-416-690340

**Norway - Trondheim**  
Tel: 47-7289-7561

**Poland - Warsaw**  
Tel: 48-22-3325737

**Romania - Bucharest**  
Tel: 40-21-407-87-50

**Spain - Madrid**  
Tel: 34-91-708-08-90  
Fax: 34-91-708-08-91

**Sweden - Gothenberg**  
Tel: 46-31-704-60-40

**Sweden - Stockholm**  
Tel: 46-8-5090-4654

**UK - Wokingham**  
Tel: 44-118-921-5800  
Fax: 44-118-921-5820