

## SKY65249-11: WLAN 802.11b, g Intera™ Front-End Module

### Description

The SKY65249-11 Intera FEM contains one complete 2.4 GHz transmit/receive chain in a compact RF front-end module optimized for single band 2.4 GHz operation. The SKY65249-11 includes a PA with integrated input filtering for 3–4 GHz rejection, and temperature-compensated directional power detector with 20 dB dynamic range. Also included are low loss, high rejection harmonic filters and a diversity switch which provide high linearity in transmit and low loss in receive paths.


The SKY65249-11 is packaged in a lead (Pb)-free, RoHS-compliant laminate package, which measures 16 mm<sup>2</sup>.

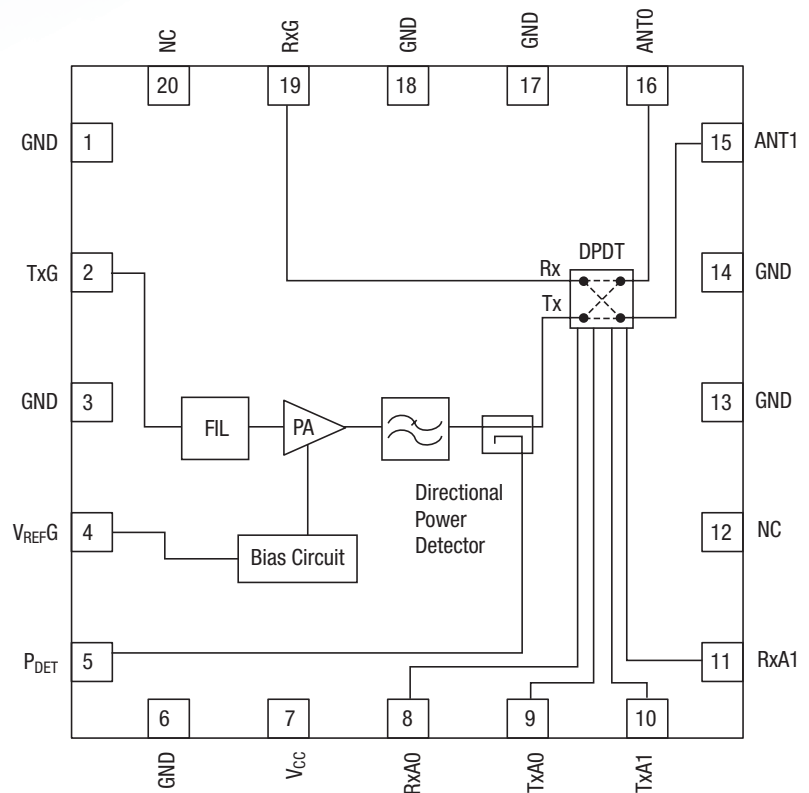
### Typical Applications

- PCIe, mini PCI & card bus
- Access point
- Voice over WLAN
- Video over WLAN

### Features

- 2.4 to 2.5 GHz operation
- Cardbus, mini PCI, PCIe and AP applications
- $P_{OUT}$  @ 2.5% EVM (OFDM 54): 18 dBm
- Gain: 27 dB
- Integrated PA, filters, directional detector and diversity switch
- Single supply voltage : 3.0–3.6 V
- Dual antennas
- Small, ultrathin package 4 x 4 x 0.9 mm
- Lead (Pb)-free and RoHS-compliant

 Skyworks offers lead (Pb)-free, RoHS (Restriction of Hazardous Substances)-compliant packaging.



© 2007, Skyworks Solutions, Inc. All Rights Reserved. Information in this document is provided in connection with Skyworks Solutions, Inc. ("Skyworks") products. These materials are provided by Skyworks as a service to its customers and may be used for informational purposes only. Skyworks assumes no responsibility for errors or omissions in these materials. Skyworks may make changes to its products, specifications and product descriptions at any time, without notice. Skyworks makes no commitment to update the information and shall have no responsibility whatsoever for conflicts, incompatibilities, or other difficulties arising from future changes to its products and product descriptions.

No license, express or implied, by estoppel or otherwise, to any intellectual property rights is granted by this document. Except as may be provided in Skyworks' Terms and Conditions of Sale for such products, Skyworks assumes no liability whatsoever.

THESE MATERIALS ARE PROVIDED "AS IS" WITHOUT WARRANTY OF ANY KIND, EITHER EXPRESS OR IMPLIED, RELATING TO SALE AND/OR USE OF SKYWORKS™ PRODUCTS INCLUDING WARRANTIES RELATING TO FITNESS FOR A PARTICULAR PURPOSE, MERCHANTABILITY, PERFORMANCE, QUALITY OR NON-INFRINGEMENT OF ANY PATENT, COPYRIGHT OR OTHER INTELLECTUAL PROPERTY RIGHT.

SKYWORKS FURTHER DOES NOT WARRANT THE ACCURACY OR COMPLETENESS OF THE INFORMATION, TEXT, GRAPHICS OR OTHER ITEMS CONTAINED WITHIN THESE MATERIALS. SKYWORKS SHALL NOT BE LIABLE FOR ANY SPECIAL, INDIRECT, INCIDENTAL, OR CONSEQUENTIAL DAMAGES, INCLUDING WITHOUT LIMITATION, LOST REVENUES OR LOST PROFITS THAT MAY RESULT FROM THE USE OF THESE MATERIALS.

Skyworks® products are not intended for use in medical, lifesaving or life-sustaining applications. Skyworks' customers using or selling Skyworks products for use in such applications do so at their own risk and agree to fully indemnify Skyworks for any damages resulting from such improper use or sale.

The following are trademarks of Skyworks Solutions, Inc.: Skyworks, the Skyworks symbol, and "Breakthrough Simplicity"®. Product names or services listed in this publication are for identification purposes only, and may be trademarks of third parties. Third-party brands and names are the property of their respective owners. Additional information, posted at [www.skyworksinc.com](http://www.skyworksinc.com), is incorporated by reference.

