

TREK-305R

5.7" Display Solution for Vehicle Applications



Features

- 5.7" color TFT LCD panel & resistive type touchscreen
- 2W speaker
- LCD power button
- VESA mounting
- Wide range temperature support
- Design compatible with VITA series



Introduction

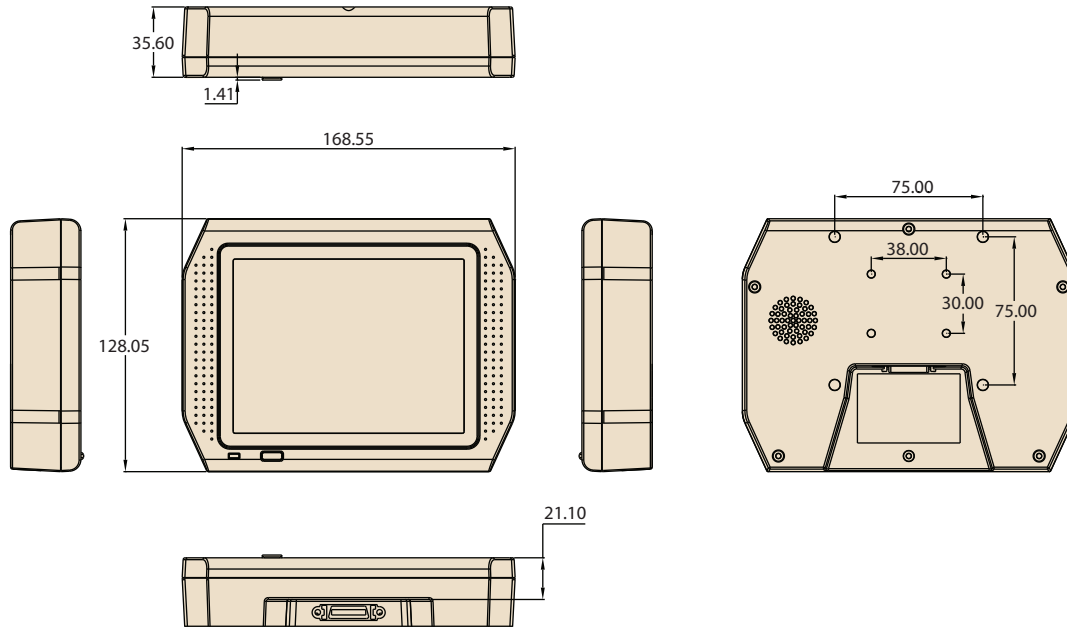
The Advantech TREK-305R touch panel is the perfect size for tight spaces, ideal for fleet management and dispatch applications. The 5.7" touchscreen panel provides excellent display capabilities and features light-weight housing, industrial-standard VESA mounting holes, and convenient mounting accessories. The TREK-305R design is compatible with other VITA series products.

Specifications

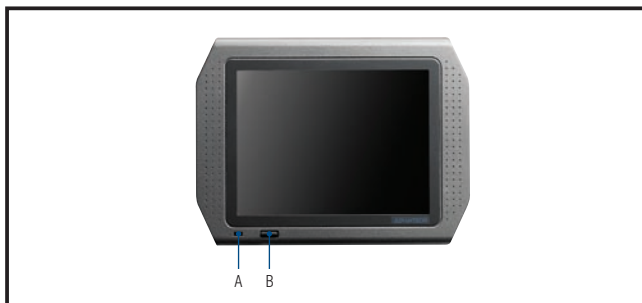
Display	Type	QVGA TFT LCD
	Colors	18-bit (256 K)
	Resolution	320 x 240
	Size (Diagonal)	5.7" (4 : 3)
	Pixel Pitch	0.36 (W) x 0.36 (H)
	View Angle (H°, V°)	H: 140° V: 120°
	Brightness	320 cd/m ² by LED backlight
	Touchscreen	4-wire resistive
	Contrast Ratio	500
	Backlight Life Time (Hrs)	20000
I/O	LVDS	1 x 26-pin connector
	Audio	2 Watt speaker out
Power	DC Input	3.3 V and 5 V
	LCD Power Button	Push button
	Power Consumption	1.3 W (normal)
Mechanical	Mounting	VESA mount
	Material	PC
	Weight	400 (g)
	Dimensions W x H x D (mm)	168.55 x 128.05 x 35.6 mm
Environment	Operating Temperature	-20 ~ 70° C
	Storage Temperature	-30 ~ 80° C
	Vibration	MIL-STD-810F 514.5C-3
Certifications	FCC	FCC 47 CFR part 15B
	IC	ICES-003 issue 4
	CE	EN55022/ 55024
	E13	ECE-R10 (v.03)
	BSMI	CNS 13438

Dimensions

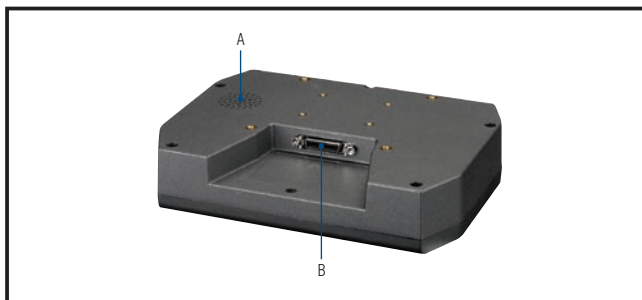
Unit: mm



Fully Integrated I/O



- A. LED
- B. Hotkey



- A. Speaker
- B. Display port: LVDS, Speaker, T/S, 1 x Hotkey

Packing List

Description	Quantity
TREK-305R	1
2 meter cable connects VITA-350P and TREK-305R	1

Ordering Information

Part Number	Description
TREK-305R-FLA0E	5.7" color TFT LCD with touchscreen, 2 watt speaker, and power button
VITA-350P-GA0E	MDT with GPS, GPRS, DI/O, RS-232, LVDS (TREK-305R is design compatible with VITA-350P)

Accessories

Part Number	Description
RAM-MOUNT-01	VESA RAM mount w/clamp base, 1.5" ball
RAM-MOUNT-02	VESA RAM mount w/2.5" DIA. base, 1.5" ball
RAM-MOUNT-03	VESA RAM mount w/3.68" DIA., 2.25" ball
RAM-MOUNT-05E	VESA RAM mount w/clamp base, 2.25" ball