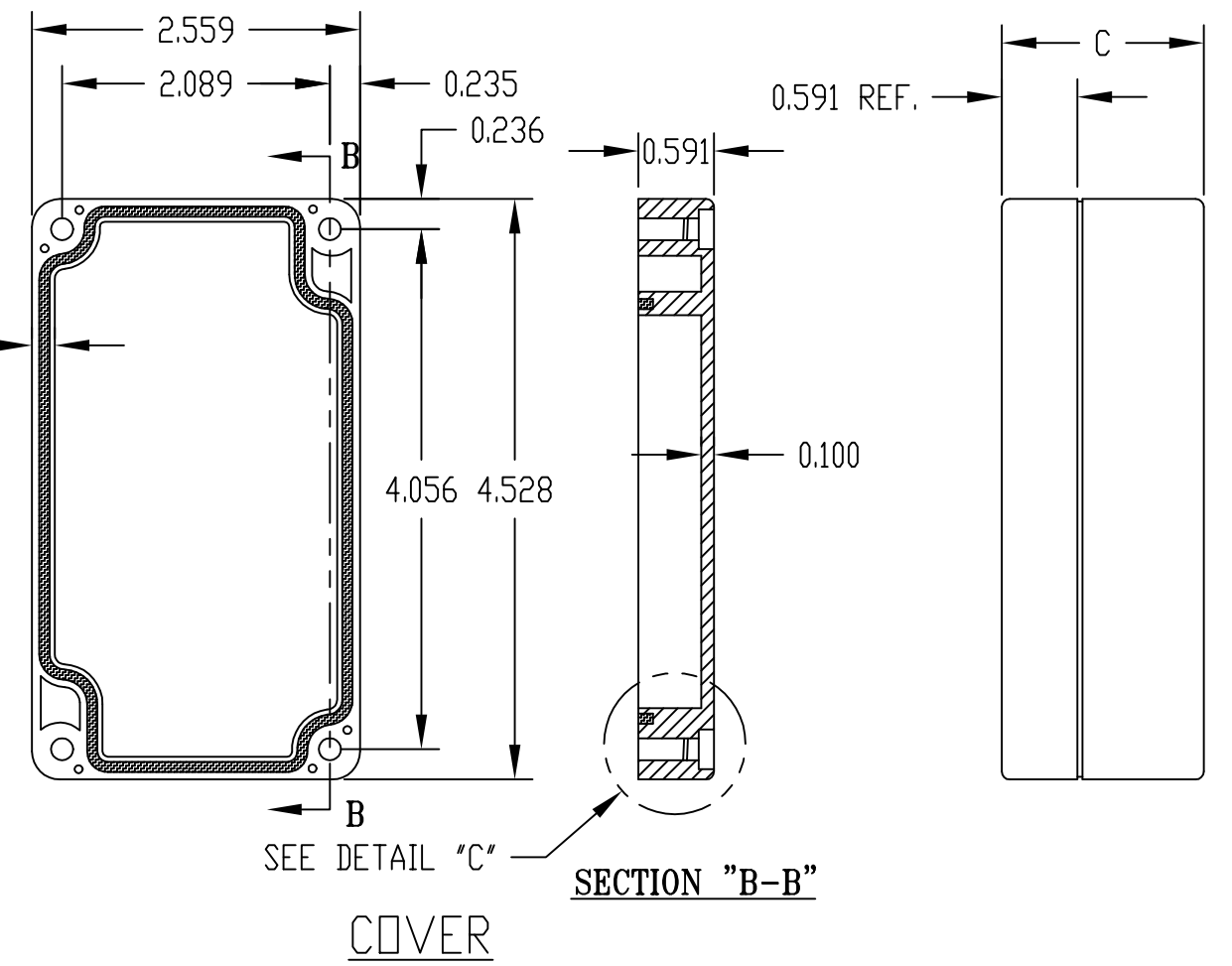
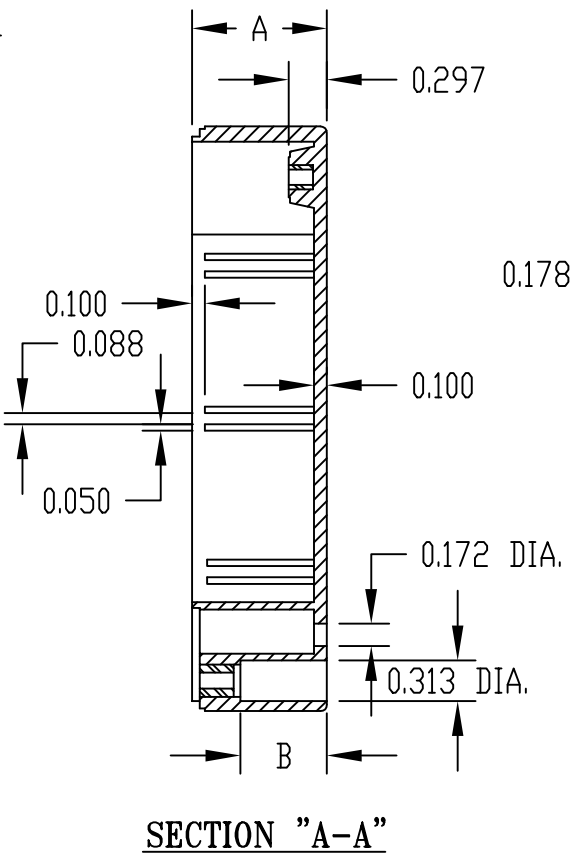
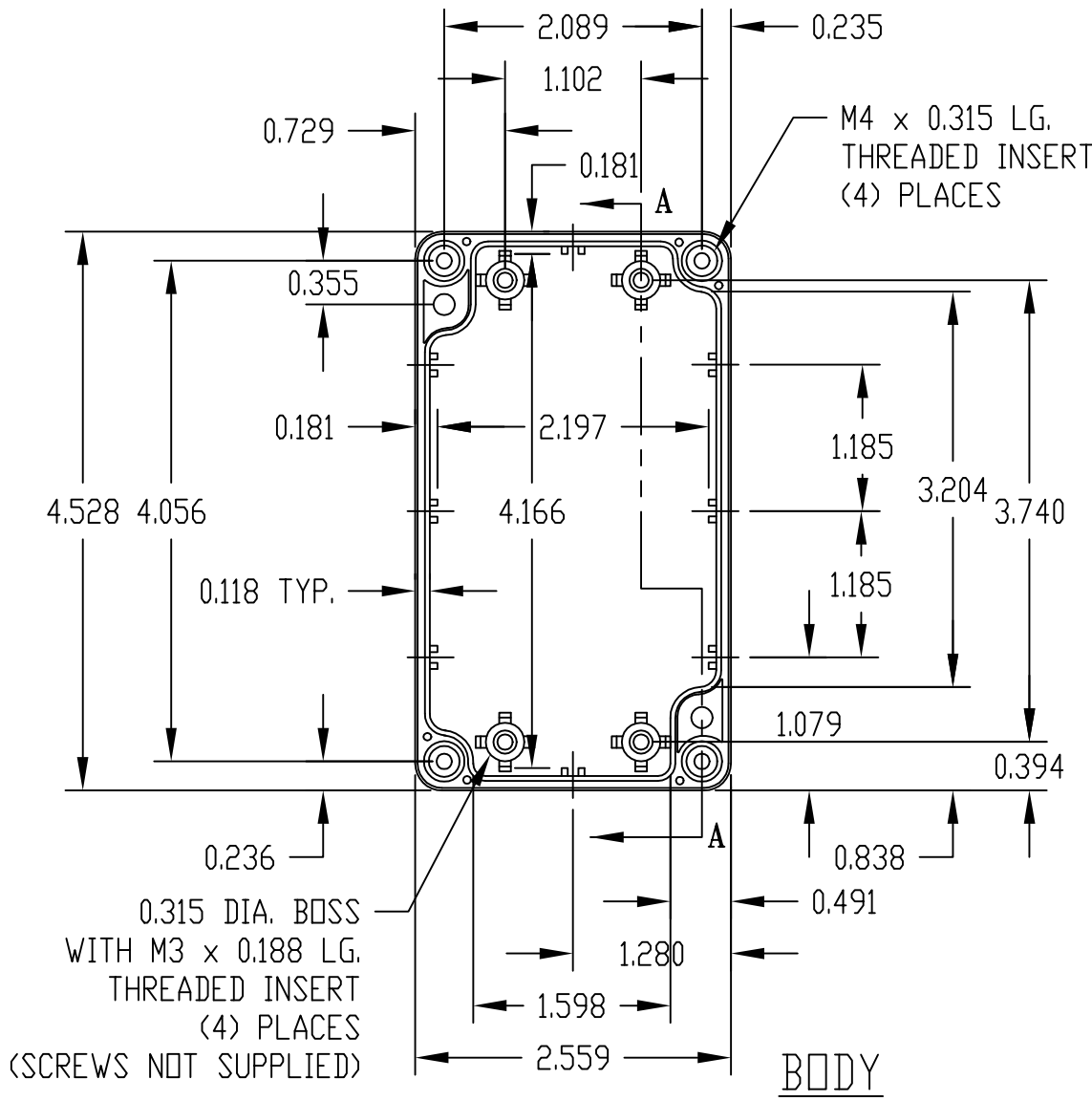
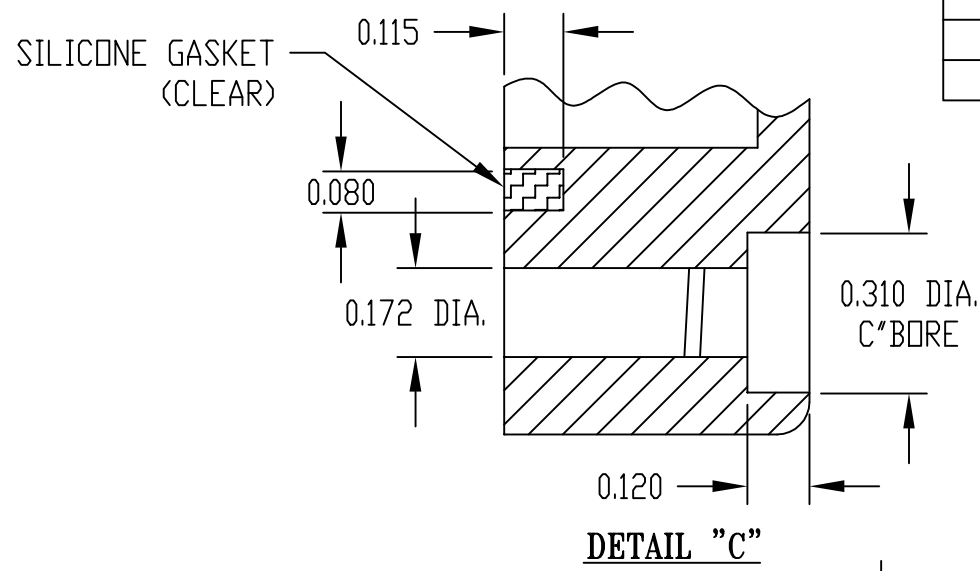


PART NAME	NEMA 4X ENCLOSURE	PART No.	PN-1321, PN-1321-C & PN-1321-DG PN-1322, PN-1322-C & PN-1322-DG	REV. DATE	11-17-08
-----------	-------------------	----------	--------------------------------------------------------------------	-----------	----------

INDUSTRY STANDARDS:
 POLYCARBONATE (LIGHT GRAY AND CLEAR)
 UL94-HB FLAMMABILITY RATING (UL FILE #E41613)
 UV STABILIZED
 SERVICE TEMPERATURE RANGE: -40°C TO +120°C

ABS (DARK GRAY)
 UL94-HB FLAMMABILITY RATING (UL FILE #E56070)
 SERVICE TEMPERATURE RANGE: -40°C TO +80°C

PART NUMBER	DIMENSION		
	A	B	C
PN-1321, PN-1321-C AND PN-1321-DG	1.045	0.670	1.576
PN-1322, PN-1322-C AND PN-1322-DG	1.640	1.189	2.165



NOTE: ALL DIMENSIONS HAVE ±0.015 TOLERANCE UNLESS OTHERWISE SPECIFIED.

PART NUMBER	MATERIAL		FINISH		HARDWARE KIT
	BODY	COVER	BODY	COVER	
PN-1321 AND PN-1322	POLYCARBONATE		LIGHT GRAY		KIT CONTAINS (4) M4 x 20mm (0.787") LG. SCREWS FOR ASSEMBLY
PN-1321-C AND PN-1322-C	POLYCARBONATE		LIGHT GRAY	CLEAR	
PN-1321-DG AND PN-1322-DG	HIGH-IMPACT ABS		DARK GRAY		