

D38999
Ser. I, III, IV

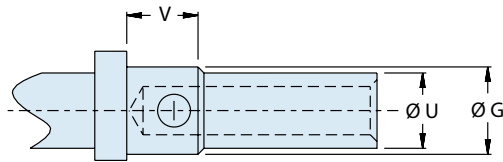
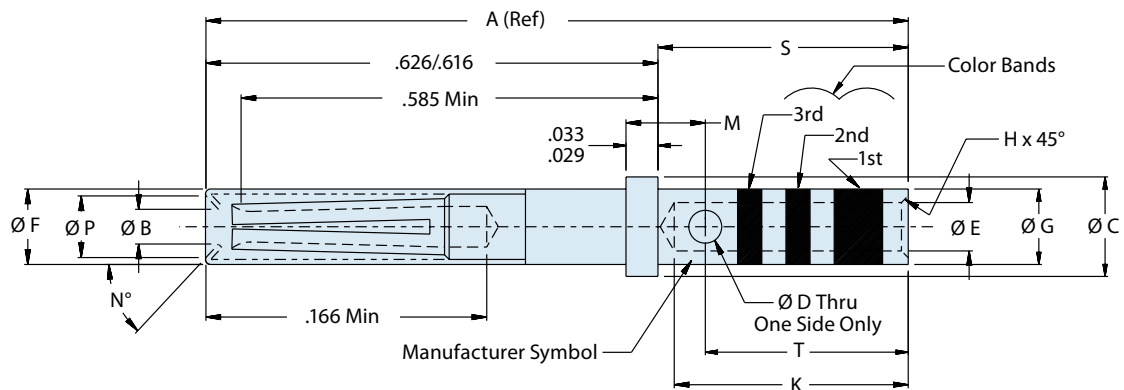
M29600

Extended Duty Socket Crimp Contact for MIL-DTL-38999 Series I, III and IV Connectors

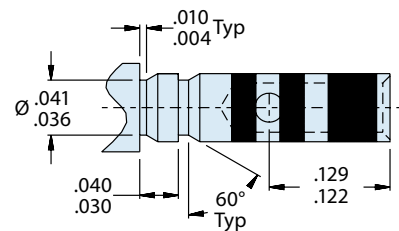
A



Mating End Size	Wire Accomodation	Military Part Number	Glenair Part Number
22	22-28 AWG	M39029/106-614	850-006-22-614
20	20-24 AWG	M39029/106-615	850-006-20-615
16	16-20 AWG	M39029/106-616	850-006-16-616
12	12-14 AWG	M39029/106-617	850-006-12-617
10	10 AWG	M39029/106-618	850-006-10-618



-10-618 Only



-22-614 Only

Material and Finish

Copper alloy, plated with 5 µinches gold over 45 µinches palladium alloy.
Rated to 1500 cycles of durability.

39029/106
850-006
Extended Duty Electrical Socket Contact



AS39029

A

TABLE I: CONTACT DIMENSIONS

Size	Part Number	Military Number	A (ref)	ø B Min.	ø C	ø D	ø E	ø F Max.	ø G	ø H
22	850-006-22-614	M39029/106-614	.855	.031	.062 .060	.022 .018	.0355 .0335	.062	.048 .046	.005 .003
20	850-006-20-615	M39029/106-615		.0415	.094 .091	.032 .026	.048 .046	.078	.070 .068	.010 .005
16	850-006-16-616	M39029/106-616		.064	.130 .127	.042 .036	.068 .066	.113	.103 .101	.010 .005
12	850-006-12-617	M39029/106-617		.0955	.182 .179	.042 .036	.102 .098	.161	.151 .148	.016 .005
10	850-006-10-618	M39029/106-618	1.021	.1265	.242 .238	.052 .046	.140 .134	.215	.213 .207	.016 .005

TABLE I: (Continued) CONTACT DIMENSIONS

Size	Part Number	Military Number	K Min.	M	N°	ø P Min.	S	ø U	V	Color Bands		
										1st	2nd	3rd
22	850-006-22-614	M39029/106-614	.141	-	50° 44°	.047	.237 .231	-	-	Blue	Brown	Yellow
20	850-006-20-615	M39029/106-615	.209	.078 .072	47° 40°	.053		-	-	Blue	Brown	Green
16	850-006-16-616	M39029/106-616	.209	.088 .082	47° 40°	.084		-	-	Blue	Brown	Blue
12	850-006-12-617	M39029/106-617	.209	.088 .082	47° 40°	.118		-	-	Blue	Brown	Violet
10	850-006-10-618	M39029/106-618	.385 .355	.115 .108	Full Radius	.146		.405 .395	.183 .177	.121 .111	Blue	Brown

TABLE II: TOOL COMPATIBILITY

Size	Part Number	Military Number	AWG Handling	Crimp Tool	Positioner	Insertion Tool	Extraction Tool
22	850-006-22-614	M39029/106-614	22, 24, 26, 28	M22520/2-01 M22520/7-01	M22520/2-07 M22520/7-05	M81969/8-01 M81969/14-01	M81969/8-02 M81969/14-01
20	850-006-20-615	M39029/106-614	20, 22, 24	M22520/1-01 M22520/2-01 M22520/7-01	M22520/1-04 (red) M22520/2-10 M22520/7-08	M81969/8-05 M81969/14-10	M81969/8-06 M81969/14-10
16	850-006-16-616	M39029/106-614	16, 18, 20	M22520/1-01 M22520/7-01	M22520/1-04 (blue) M22520/7-04	M81969/8-07 M81969/14-03	M81969/8-08 M81969/14-03
12	850-006-12-617	M39029/106-614	12, 14	M22520/1-01	M22520/1-04 (yellow)	M81969/8-09 M81969/14-04	M81969/8-10 M81969/14-03
10	850-006-10-618	M39029/106-614	10	Daniels 1716P-1	Daniels 1716P-1	M81969/14-05 and M81969/8-11	M81969/14-05 and M81969/8-12