

Hybrid IC Isolation Amplifiers 20 Series

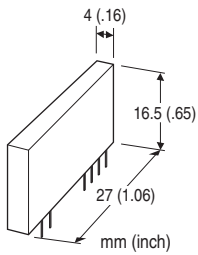
Mounting: Soldering to the printed wiring board

Weight: Approx. 5 g (0.18 oz)

CLOCK GENERATOR

Function & Features

Supplying external clock and power to maximum 8 of external synchronous Isolation Amplifier e.g. 20VS5-210 or 20VS5-213.



MODEL: 20VS5-2-U

ORDERING INFORMATION

- Code number: 20VS5-2-U

POWER INPUT

DC Power

U: 15 V DC

RELATED PRODUCTS

- Isolation amplifier (model: 20VS5-210, 20VS5-213)

GENERAL SPECIFICATIONS

Construction: Hybrid IC

Housing material: Flame-resistant resin (black)

OUTPUT SPECIFICATIONS

■ Clock

Output voltage: 0 - 15 V DC $\pm 5\%$ @ rated power

Frequency: 210 kHz $\pm 5\%$

Duty cycle: 50 % $\pm 5\%$

Waveform: Square wave

Fan-out: 8 of 20VS5-210, 20VS5-213

INSTALLATION

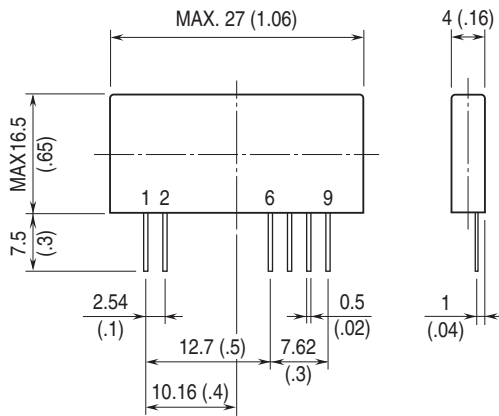
Power input

- **DC:** Operational voltage range: Rating $\pm 5\%$, ripple 2 %p-p max.; approx. 7 mA with no load, approx. 15 mA per one 20VS5-210 or 20VS5-213

Operating temperature: -10 to +70°C (14 to 158°F)

Operating humidity: 30 to 90 %RH (non-condensing)

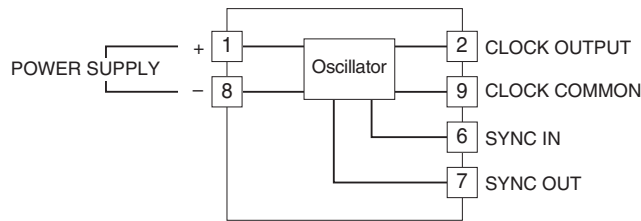
EXTERNAL DIMENSIONS & TERMINAL ASSIGNMENTS unit: mm (inch)



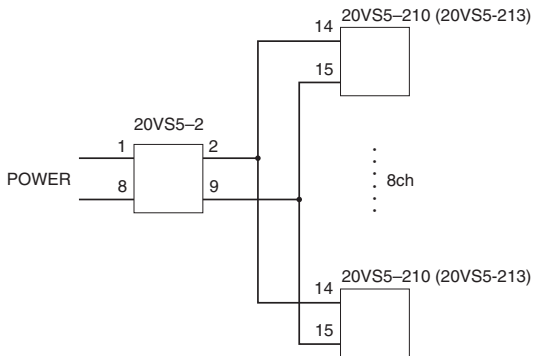
PIN ASSIGNMENT

1	POWER SUPPLY (+)
2	CLOCK OUTPUT
6	SYNC IN
7	SYNC OUT
8	POWER SUPPLY (-)
9	CLOCK COMMON

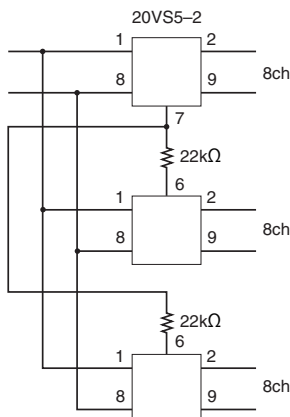
SCHEMATIC CIRCUITRY & CONNECTION DIAGRAM



APPLICATION EXAMPLE



Clock generator model 20VS5-2 is capable of driving up to 8 of 20VS5-210 or 20VS5-213. When driving more than 8 modules, the daisy chain connection as shown below is available.





Specifications are subject to change without notice.