

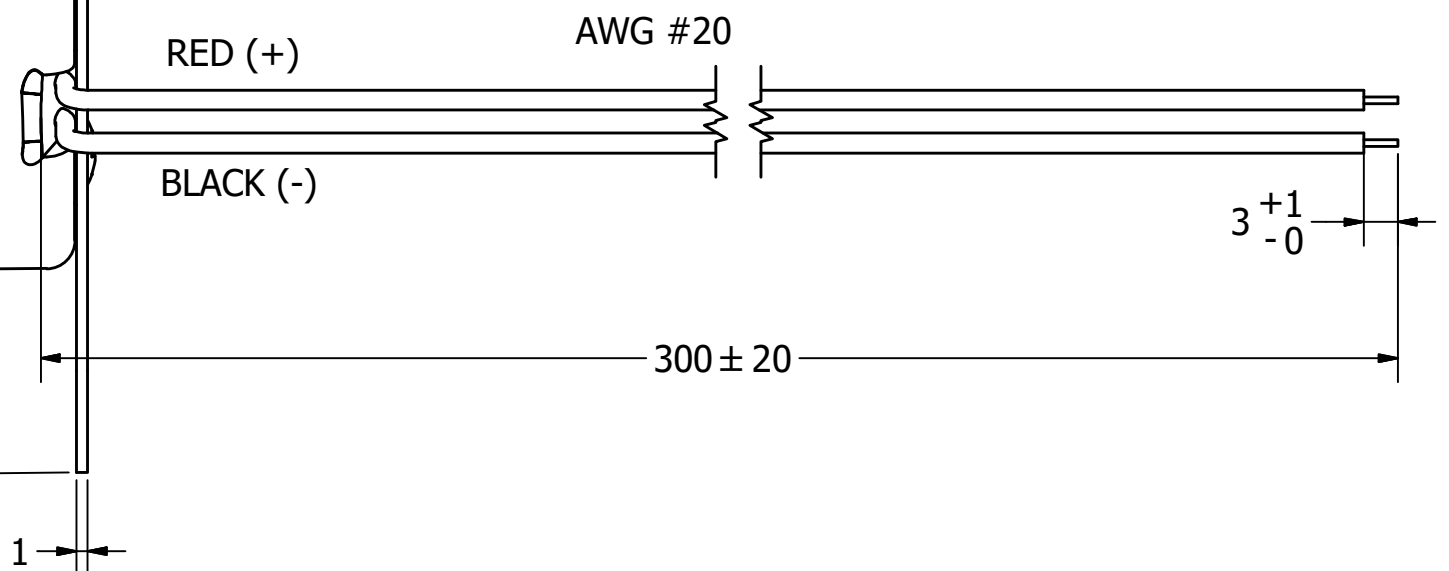
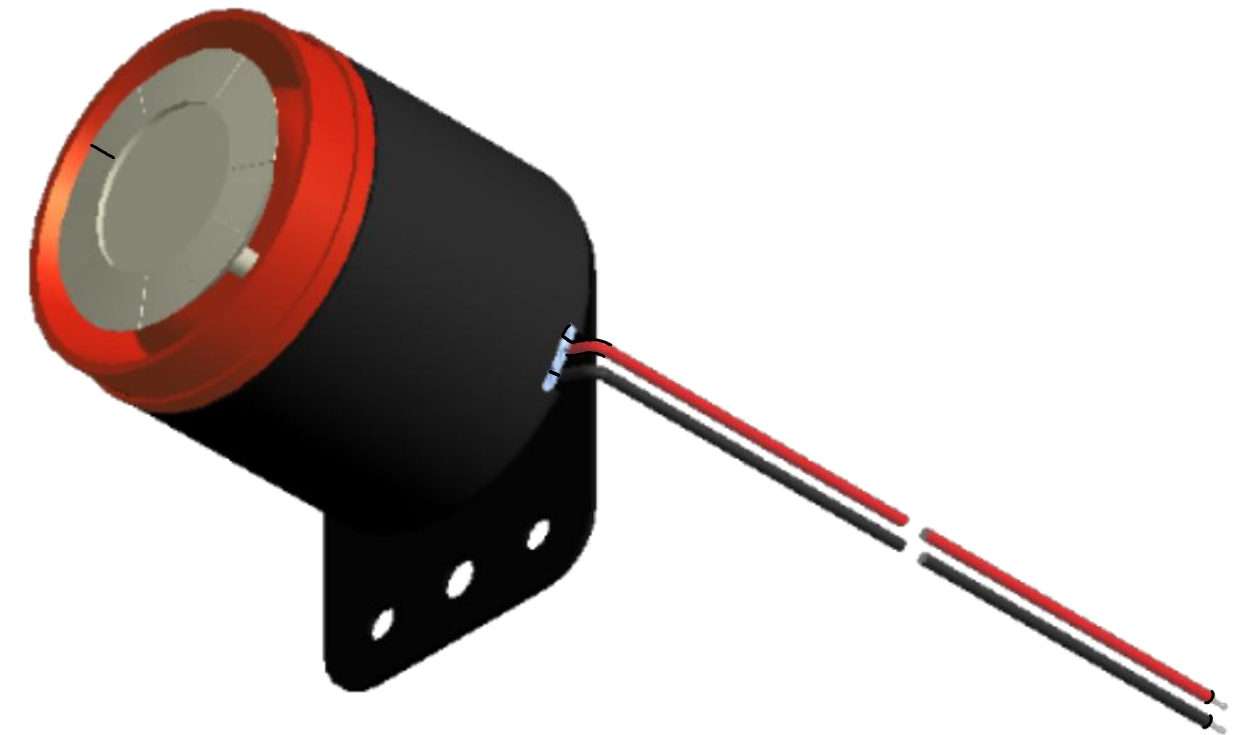
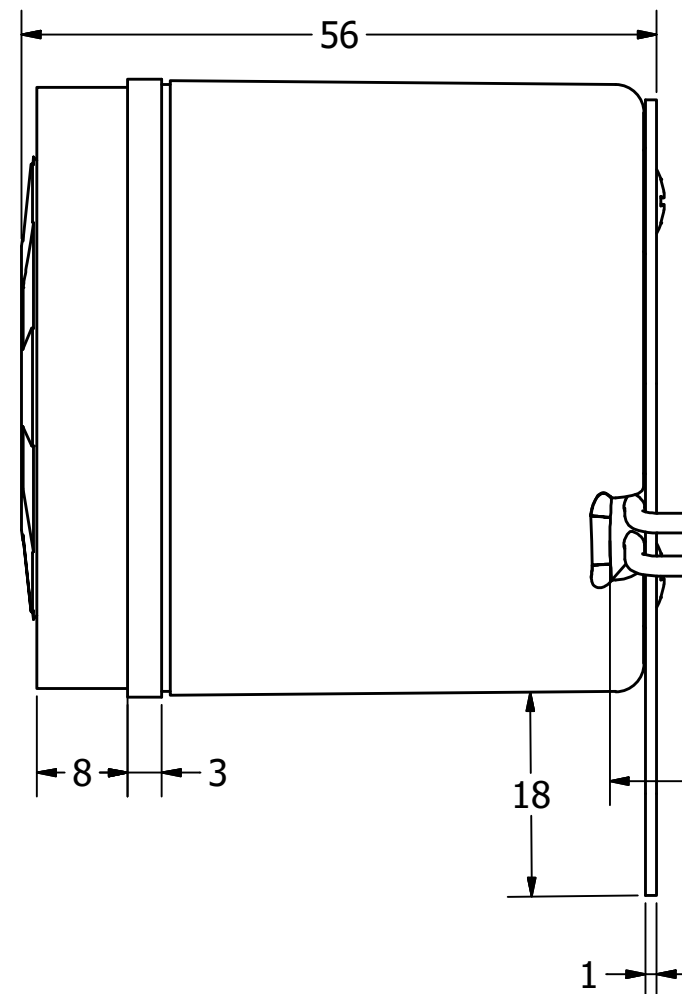
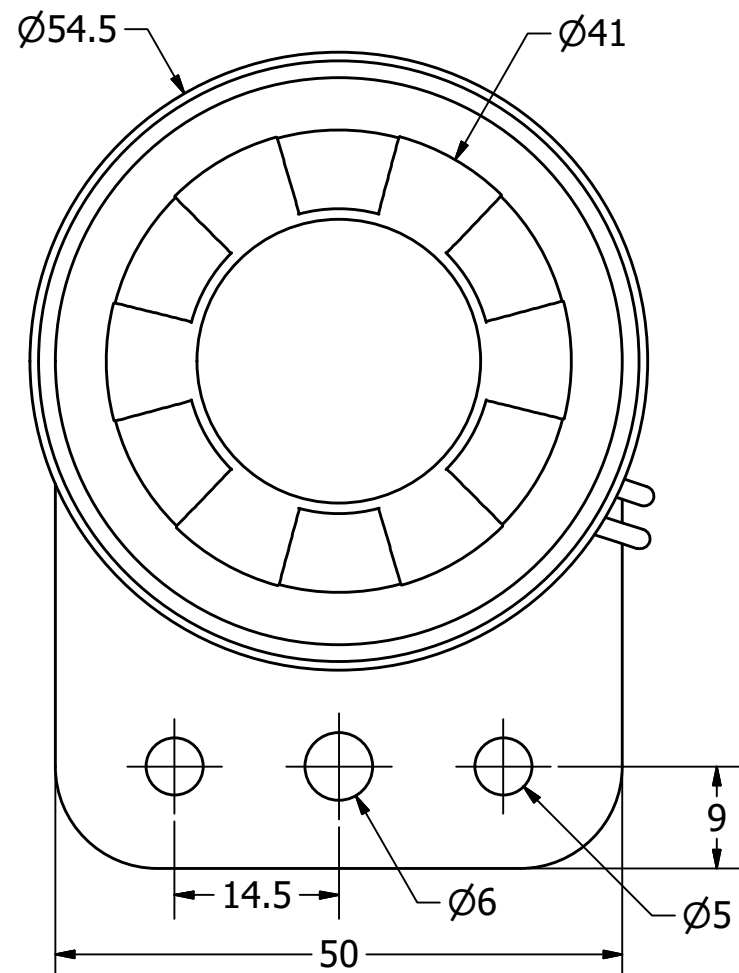
SPECIFICATIONS

| PARAMETERS | VALUES | UNITS |
|-------------------------|-------------------|----------------|
| RATED VOLTAGE | 12 | Vdc |
| OPERATING VOLTAGE RANGE | 6 ~ 16 | Vdc |
| RATED CURRENT (MAX) | 260 | mA |
| MINIMUM SPL @ 10 CM | 123 | dB |
| RESONANT FREQUENCY | 2,000/4,000 ± 500 | Hz |
| TONE OR PULSE RATE | SIREN | 3.0 pulse /sec |
| OPERATING TEMPERATURE | -30 ~ +70 | °C |
| STORAGE TEMPERATURE | -30 ~ +70 | °C |
| HOUSING MATERIAL | ABS | - |
| TERMINAL MATERIAL | LEAD WIRES | - |
| WEIGHT | 92 | grams |

THIS DOCUMENT CONTAINS DATA PROPRIETARY TO PROJECTS UNLIMITED, INC. ANY USE OR REPRODUCTION, IN ANY FORM, WITHOUT PRIOR WRITTEN PERMISSION OF PROJECTS UNLIMITED, INC. IS PROHIBITED.
©2003, Projects Unlimited Inc.

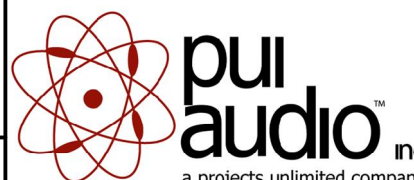
REVISION HISTORY

| LTR | DESCRIPTION | DATE | APPROVED |
|-----|--|-----------|----------|
| - | RELEASED FROM ENGINEERING | 5/15/2006 | |
| A | REVISED TO INVENTOR 3-D DRAWING TEMPLATE | 3/26/2008 | B.R. |
| B | REVISED LENGTH DIMENSION | 9/1/2011 | B.R. |
| C | REVISED OPERATING TEMPERATURE | 4/9/2018 | M.V. |



NOTES:

1. ALL DIMENSIONS ARE IN MILLIMETERS.
2. SPECIFICATIONS SUBJECT TO CHANGE OR WITHDRAWL WITHOUT NOTICE.
3. THIS PART IS RoHS 2002/95/EC COMPLIANT.

| | | | | | | | | | |
|--|-------------------|--|-----------|--------------------------|-----------|-------------|-----------|------------|-------|
| UNLESS OTHERWISE SPECIFIED: DIMENSIONS ARE IN MILLIMETERS, TOLERANCES ARE ±0.5 AND ANGLES ARE ±3°. | SIZE A3 | Designed by | Date | Checked by | Date | Approved by | Date | Drawn Date | |
| | | J.D. | 5/15/2006 | E.P. | 5/15/2006 | B.R. | 5/15/2006 | 3/26/2008 | |
| XL-5530-LW300-S-R.idw | |  pui audio a projects unlimited company | | XL-5530-LW300-S-R | | | Indicator | Edition | Sheet |
| | | | | | | | - | 1 / 1 | |