



## FIVE OUTPUT 3.3V CLOCK BUFFER

**IDT2305NZ**

### FEATURES:

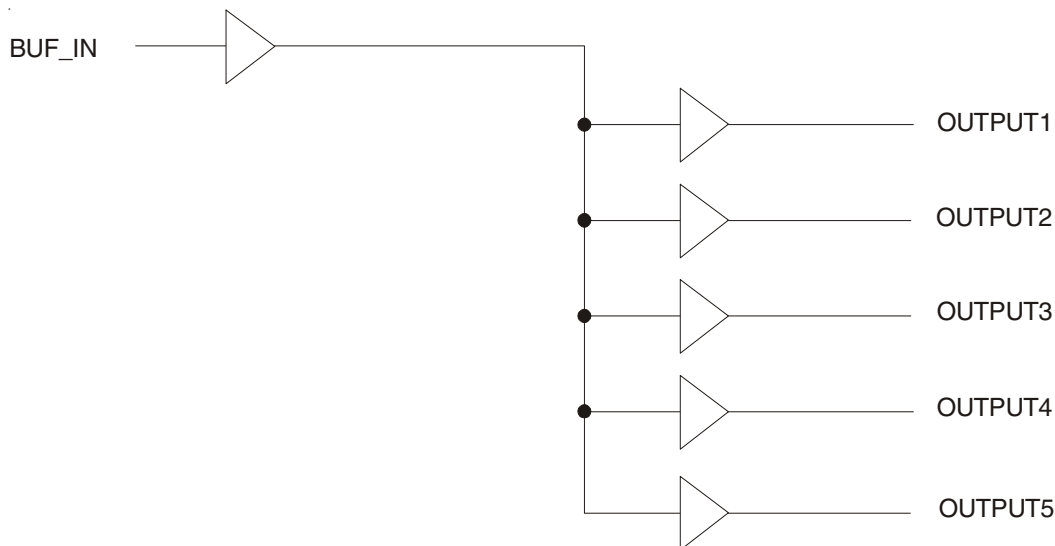
- One input to five output buffer/driver
- Low power consumption for mobile applications: less than 32mA at 66.6MHz with unloaded outputs
- 8.7ns max input-output delay
- Buffers all frequencies from DC to 133.33MHz
- Output-output skew < 250ps
- 3.3V operation
- High drive capability
- Available in SOIC package

### DESCRIPTION:

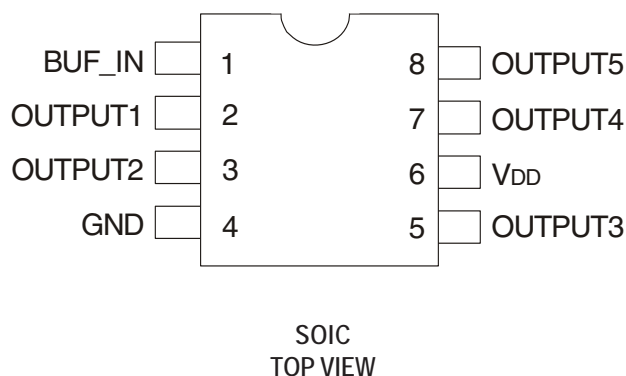
The IDT2305NZ is a low-cost buffer designed to distribute high-speed clocks in mobile PC systems and desktop PC systems. The IDT2305NZ operates at 3.3V with five outputs that can run up to 133.33MHz

The IDT2305NZ is an 8-pin version of the IDT2309NZ. It is designed for low EMI and power optimization and consumes less than 32mA at 66.6MHz, making it ideal for the low power requirements of mobile systems.

### FUNCTIONAL BLOCK DIAGRAM



## PIN CONFIGURATION



## ABSOLUTE MAXIMUM RATINGS<sup>(1)</sup>

| Symbol  | Rating                           | Max.                         | Unit |
|---|----------------------------------|------------------------------|------|
| V <sub>DD</sub>   | Supply Voltage Range             | -0.5 to +4.6                 | V    |
| V <sub>I</sub> <sup>(2)</sup>                           | Input Voltage Range (REF)        | -0.5 to +5.5                 | V    |
| V <sub>I</sub>  | Input Voltage Range (except REF) | -0.5 to V <sub>DD</sub> +0.5 | V    |
| I <sub>IK</sub> (V <sub>I</sub> < 0)                    | Input Clamp Current              | -50                          | mA   |
| I <sub>O</sub> (V <sub>O</sub> = 0 to V <sub>DD</sub> ) | Continuous Output Current        | ±50                          | mA   |
| V <sub>DD</sub> or GND                                  | Continuous Current               | ±100                         | mA   |
| T <sub>A</sub> = 55°C (in still air) <sup>(3)</sup>     | Maximum Power Dissipation        | 0.7                          | W    |
| T <sub>STG</sub>  | Storage Temperature Range        | -65 to +150                  | °C   |
| Operating Temperature                                   | Commercial Temperature Range     | 0 to +70                     | °C   |
| Operating Temperature                                   | Industrial Temperature Range     | -40 to +85                   | °C   |

### NOTES:

1. Stresses greater than those listed under ABSOLUTE MAXIMUM RATINGS may cause permanent damage to the device. This is a stress rating only and functional operation of the device at these or any other conditions above those indicated in the operational sections of this specification is not implied. Exposure to absolute maximum rating conditions for extended periods may affect reliability.
2. The input and output negative-voltage ratings may be exceeded if the input and output clamp-current ratings are observed.
3. The maximum package power dissipation is calculated using a junction temperature of 150°C and a board trace length of 750 mils.

## PIN DESCRIPTION

| Pin Name                | Pin Number     | Functional Description      |
|-------------------------|----------------|-----------------------------|
| V <sub>DD</sub>         | 6              | 3.3V Digital Voltage Supply |
| GND                     | 4              | Ground                      |
| BUF_IN                  | 1              | Input clock                 |
| OUTPUT <sub>[1:5]</sub> | 2, 3, 6, 7, 10 | Outputs                     |

## OPERATING CONDITIONS - COMMERCIAL

| Symbol                          | Parameter  | Min. | Max.   | Unit |
|---------------------------------|--|------|--------|------|
| V <sub>DD</sub>                 | Supply Voltage   | 3    | 3.6    | V    |
| T <sub>A</sub>                  | Operating Temperature (Ambient Temperature)            | 0    | 70     | °C   |
| C <sub>L</sub>                  | Load Capacitance, F <sub>OUT</sub> < 100MHz            | —    | 30     | pF   |
|                                 | Load Capacitance 100MHz < F <sub>OUT</sub> < 133.33MHz | —    | 15     |      |
| C <sub>IN</sub>                 | Input Capacitance                                      | —    | 7      | pF   |
| BUF_IN, OUTPUT <sub>[1:5]</sub> | Operating Frequency                                    | DC   | 133.33 | MHz  |

## OPERATING CONDITIONS - INDUSTRIAL

| Symbol                          | Parameter  | Min. | Max.   | Unit |
|---------------------------------|--|------|--------|------|
| V <sub>DD</sub>                 | Supply Voltage   | 3    | 3.6    | V    |
| T <sub>A</sub>                  | Operating Temperature (Ambient Temperature)            | -40  | +85    | °C   |
| C <sub>L</sub>                  | Load Capacitance, F <sub>OUT</sub> < 100MHz            | —    | 30     | pF   |
|                                 | Load Capacitance 100MHz < F <sub>OUT</sub> < 133.33MHz | —    | 15     |      |
| C <sub>IN</sub>                 | Input Capacitance                                      | —    | 7      | pF   |
| BUF_IN, OUTPUT <sub>[1:5]</sub> | Operating Frequency                                    | DC   | 133.33 | MHz  |

## DC ELECTRICAL CHARACTERISTICS - COMMERCIAL

| Symbol          | Parameter                          | Conditions                        | Min. | Max. | Unit |
|-----------------|------------------------------------|-----------------------------------|------|------|------|
| V <sub>IL</sub> | Input LOW Voltage <sup>(1)</sup>   |                                   | —    | 0.8  | V    |
| V <sub>IH</sub> | Input HIGH Voltage <sup>(1)</sup>  |                                   | 2    | —    | V    |
| I <sub>IL</sub> | Input LOW Current                  | V <sub>IN</sub> = 0V              | —    | 50   | μA   |
| I <sub>IH</sub> | Input HIGH Current                 | V <sub>IN</sub> = V <sub>DD</sub> | —    | 100  | μA   |
| V <sub>OL</sub> | Output LOW Voltage <sup>(2)</sup>  | I <sub>OL</sub> = 12mA            | —    | 0.4  | V    |
| V <sub>OH</sub> | Output HIGH Voltage <sup>(2)</sup> | I <sub>OH</sub> = -12mA           | 2.4  | —    | V    |
| I <sub>DD</sub> | Supply Current                     | Unloaded Outputs at 66.66MHz      | —    | 32   | mA   |

NOTES:

1. BUF\_IN input has a threshold voltage of V<sub>DD</sub>/2.
2. Parameter is guaranteed by design but not production tested.

## DC ELECTRICAL CHARACTERISTICS - INDUSTRIAL

| Symbol          | Parameter                          | Conditions                        | Min. | Max. | Unit |
|-----------------|------------------------------------|-----------------------------------|------|------|------|
| V <sub>IL</sub> | Input LOW Voltage <sup>(1)</sup>   |                                   | —    | 0.8  | V    |
| V <sub>IH</sub> | Input HIGH Voltage <sup>(1)</sup>  |                                   | 2    | —    | V    |
| I <sub>IL</sub> | Input LOW Current                  | V <sub>IN</sub> = 0V              | —    | 50   | μA   |
| I <sub>IH</sub> | Input HIGH Current                 | V <sub>IN</sub> = V <sub>DD</sub> | —    | 100  | μA   |
| V <sub>OL</sub> | Output LOW Voltage <sup>(2)</sup>  | I <sub>OL</sub> = 12mA            | —    | 0.4  | V    |
| V <sub>OH</sub> | Output HIGH Voltage <sup>(2)</sup> | I <sub>OH</sub> = -12mA           | 2.4  | —    | V    |
| I <sub>DD</sub> | Supply Current                     | Unloaded Outputs at 66.66MHz      | —    | 35   | mA   |

NOTES:

1. BUF\_IN input has a threshold voltage of V<sub>DD</sub>/2.
2. Parameter is guaranteed by design but not production tested.

## SWITCHING CHARACTERISTICS - COMMERCIAL<sup>(1)</sup>

| Symbol         | Parameter <sup>(2)</sup>                                    | Conditions                     | Min. | Typ. | Max. | Unit |
|----------------|---|--------------------------------|------|------|------|------|
| t <sub>r</sub> | Rise Time   | Measured between 0.8V and 2V   | —    | —    | 1.5  | ns   |
| t <sub>f</sub> | Fall Time   | Measured between 0.8V and 2V   | —    | —    | 1.5  | ns   |
| t <sub>s</sub> | Output to Output Skew                                       | All outputs equally loaded     | —    | —    | 250  | ps   |
| t <sub>p</sub> | Propagation Delay, BUF_IN Rising Edge to OUTPUT Rising Edge | Measured at V <sub>DD</sub> /2 | 1    | 5    | 8.7  | ns   |
| DC             | Duty Cycle  | Measured at V <sub>DD</sub> /2 | 45   | —    | 55   | %    |

NOTES:

1. All parameters specified with loaded outputs.
2. Parameter is guaranteed by design but not production tested.

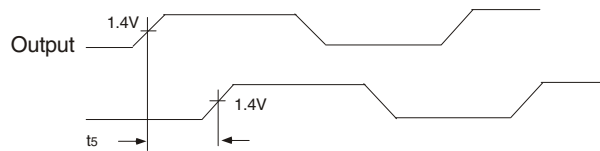
## SWITCHING CHARACTERISTICS - INDUSTRIAL <sup>(1)</sup>

| Symbol         | Parameter <sup>(2)</sup>                                    | Conditions                     | Min. | Typ. | Max. | Unit |
|----------------|---|--------------------------------|------|------|------|------|
| t <sub>3</sub> | Rise Time   | Measured between 0.8V and 2V   | —    | —    | 1.5  | ns   |
| t <sub>4</sub> | Fall Time   | Measured between 0.8V and 2V   | —    | —    | 1.5  | ns   |
| t <sub>5</sub> | Output to Output Skew                                       | All outputs equally loaded     | —    | —    | 250  | ps   |
| t <sub>6</sub> | Propagation Delay, BUF_IN Rising Edge to OUTPUT Rising Edge | Measured at V <sub>DD</sub> /2 | 1    | 5    | 8.7  | ns   |
| DC             | Duty Cycle  | Measured at V <sub>DD</sub> /2 | 45   | —    | 55   | %    |

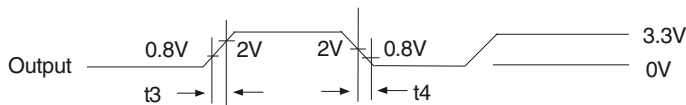
NOTES:

1. All parameters specified with loaded outputs.
2. Parameter is guaranteed by design but not production tested.

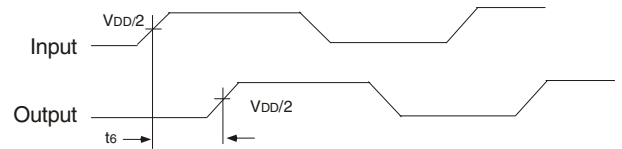
## SWITCHING WAVEFORMS



*Output to Output Skew*

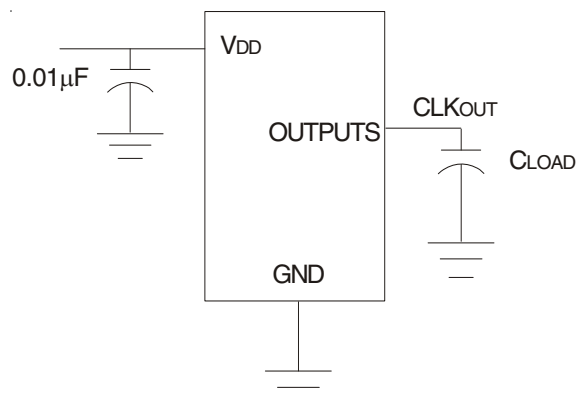


*All Outputs Rise/Fall Time*



*Input to Output Propagation Delay*

## TEST CIRCUIT



PACKAGE OUTLINE AND DIMENSIONS

| <p>REVISIONS</p> <table border="1" style="width: 100%; border-collapse: collapse;"> <tr> <th>REV</th> <th>DESCRIPTION</th> <th>DATE</th> <th>APPROVED</th> </tr> <tr> <td>00</td> <td>INITIAL RELEASE</td> <td>2/24/16</td> <td>JH</td> </tr> </table>  | REV   | DESCRIPTION  | DATE   | APPROVED | 00        | INITIAL RELEASE | 2/24/16   | JH    | <p>DIMENSIONS IN MILLIMETERS</p> | <p>6001 Silver Creek Valley Rd<br/>San Jose, CA 95138<br/>PHONE (408) 244-0000<br/>FAX (408) 244-0072</p> <p><b>IDT</b><br/>www.IDT.com</p> <p>TITLE DCSB PACKAGE OUTLINE<br/>150 mil SOP</p> <table border="1" style="width: 100%; border-collapse: collapse;"> <tr> <td>UNLESS SPECIFIED<br/>DECIMAL<br/>ANGLES<br/>DIMENSIONS<br/>ARE IN<br/>MILLIMETERS</td> <td>DATE</td> <td>DRWG. NO.</td> <td>REV</td> </tr> <tr> <td>APPROVALS</td> <td>DATE</td> <td>DRWG. NO.</td> <td>REV</td> </tr> <tr> <td>DRAWN</td> <td>DATE</td> <td>PSC-4068-03</td> <td>00</td> </tr> <tr> <td>CHECKED</td> <td>DATE</td> <td>DO NOT SCALE DRAWING</td> <td>SHEET 1 OF 1</td> </tr> </table> | UNLESS SPECIFIED<br>DECIMAL<br>ANGLES<br>DIMENSIONS<br>ARE IN<br>MILLIMETERS | DATE   | DRWG. NO.            | REV          | APPROVALS | DATE  | DRWG. NO. | REV  | DRAWN  | DATE | PSC-4068-03 | 00   | CHECKED   | DATE | DO NOT SCALE DRAWING | SHEET 1 OF 1 |            |      |   |              |      |        |      |        |      |       |      |        |      |        |      |        |      |       |       |  |  |      |           |     |           |      |             |    |       |      |                      |              |
|---|---|--|--|----------|-----------|-----------------|-----------|-------|----------------------------------|--|--|--------|----------------------|--------------|-----------|-------|-----------|--|--|------|-------------|------|-----------|------|----------------------|--------------|------------|------|---|--------------|------|--------|------|--------|------|-------|------|--------|------|--------|------|--------|------|-------|-------|--|--|------|-----------|-----|-----------|------|-------------|----|-------|------|----------------------|--------------|
| REV   | DESCRIPTION   | DATE   | APPROVED   |          |           |                 |           |       |                                  |  |  |        |                      |              |           |       |           |  |  |      |             |      |           |      |                      |              |            |      |   |              |      |        |      |        |      |       |      |        |      |        |      |        |      |       |       |  |  |      |           |     |           |      |             |    |       |      |                      |              |
| 00  | INITIAL RELEASE   | 2/24/16  | JH   |          |           |                 |           |       |                                  |  |  |        |                      |              |           |       |           |  |  |      |             |      |           |      |                      |              |            |      |   |              |      |        |      |        |      |       |      |        |      |        |      |        |      |       |       |  |  |      |           |     |           |      |             |    |       |      |                      |              |
| UNLESS SPECIFIED<br>DECIMAL<br>ANGLES<br>DIMENSIONS<br>ARE IN<br>MILLIMETERS  | DATE  | DRWG. NO.  | REV  |          |           |                 |           |       |                                  |  |  |        |                      |              |           |       |           |  |  |      |             |      |           |      |                      |              |            |      |   |              |      |        |      |        |      |       |      |        |      |        |      |        |      |       |       |  |  |      |           |     |           |      |             |    |       |      |                      |              |
| APPROVALS   | DATE  | DRWG. NO.  | REV  |          |           |                 |           |       |                                  |  |  |        |                      |              |           |       |           |  |  |      |             |      |           |      |                      |              |            |      |   |              |      |        |      |        |      |       |      |        |      |        |      |        |      |       |       |  |  |      |           |     |           |      |             |    |       |      |                      |              |
| DRAWN   | DATE  | PSC-4068-03  | 00   |          |           |                 |           |       |                                  |  |  |        |                      |              |           |       |           |  |  |      |             |      |           |      |                      |              |            |      |   |              |      |        |      |        |      |       |      |        |      |        |      |        |      |       |       |  |  |      |           |     |           |      |             |    |       |      |                      |              |
| CHECKED   | DATE  | DO NOT SCALE DRAWING   | SHEET 1 OF 1   |          |           |                 |           |       |                                  |  |  |        |                      |              |           |       |           |  |  |      |             |      |           |      |                      |              |            |      |   |              |      |        |      |        |      |       |      |        |      |        |      |        |      |       |       |  |  |      |           |     |           |      |             |    |       |      |                      |              |
| <p>BASED ON IEC 191-20: TYPE 076E35 B</p> <p>1. DIMENSIONS</p>  | <p>PIN 1 ID</p>   | <p>6001 Silver Creek Valley Rd<br/>San Jose, CA 95138<br/>PHONE (408) 244-0000<br/>FAX (408) 244-0072</p> <p><b>IDT</b><br/>www.IDT.com</p> <p>TITLE DCSB PACKAGE OUTLINE<br/>150 mil SOP</p> <table border="1" style="width: 100%; border-collapse: collapse;"> <tr> <td>UNLESS SPECIFIED<br/>DECIMAL<br/>ANGLES<br/>DIMENSIONS<br/>ARE IN<br/>MILLIMETERS</td> <td>DATE</td> <td>DRWG. NO.</td> <td>REV</td> </tr> <tr> <td>APPROVALS</td> <td>DATE</td> <td>PSC-4068-03</td> <td>00</td> </tr> <tr> <td>DRAWN</td> <td>DATE</td> <td>DO NOT SCALE DRAWING</td> <td>SHEET 1 OF 1</td> </tr> </table> | UNLESS SPECIFIED<br>DECIMAL<br>ANGLES<br>DIMENSIONS<br>ARE IN<br>MILLIMETERS | DATE     | DRWG. NO. | REV             | APPROVALS | DATE  | PSC-4068-03                      | 00   | DRAWN  | DATE   | DO NOT SCALE DRAWING | SHEET 1 OF 1 |           |       |           |  |  |      |             |      |           |      |                      |              |            |      |   |              |      |        |      |        |      |       |      |        |      |        |      |        |      |       |       |  |  |      |           |     |           |      |             |    |       |      |                      |              |
| UNLESS SPECIFIED<br>DECIMAL<br>ANGLES<br>DIMENSIONS<br>ARE IN<br>MILLIMETERS  | DATE  | DRWG. NO.  | REV  |          |           |                 |           |       |                                  |  |  |        |                      |              |           |       |           |  |  |      |             |      |           |      |                      |              |            |      |   |              |      |        |      |        |      |       |      |        |      |        |      |        |      |       |       |  |  |      |           |     |           |      |             |    |       |      |                      |              |
| APPROVALS   | DATE  | PSC-4068-03  | 00   |          |           |                 |           |       |                                  |  |  |        |                      |              |           |       |           |  |  |      |             |      |           |      |                      |              |            |      |   |              |      |        |      |        |      |       |      |        |      |        |      |        |      |       |       |  |  |      |           |     |           |      |             |    |       |      |                      |              |
| DRAWN   | DATE  | DO NOT SCALE DRAWING   | SHEET 1 OF 1   |          |           |                 |           |       |                                  |  |  |        |                      |              |           |       |           |  |  |      |             |      |           |      |                      |              |            |      |   |              |      |        |      |        |      |       |      |        |      |        |      |        |      |       |       |  |  |      |           |     |           |      |             |    |       |      |                      |              |
| <p>VIEW X</p>   |   | <p>6001 Silver Creek Valley Rd<br/>San Jose, CA 95138<br/>PHONE (408) 244-0000<br/>FAX (408) 244-0072</p> <p><b>IDT</b><br/>www.IDT.com</p> <p>TITLE DCSB PACKAGE OUTLINE<br/>150 mil SOP</p> <table border="1" style="width: 100%; border-collapse: collapse;"> <tr> <td>UNLESS SPECIFIED<br/>DECIMAL<br/>ANGLES<br/>DIMENSIONS<br/>ARE IN<br/>MILLIMETERS</td> <td>DATE</td> <td>DRWG. NO.</td> <td>REV</td> </tr> <tr> <td>APPROVALS</td> <td>DATE</td> <td>PSC-4068-03</td> <td>00</td> </tr> <tr> <td>DRAWN</td> <td>DATE</td> <td>DO NOT SCALE DRAWING</td> <td>SHEET 1 OF 1</td> </tr> </table> | UNLESS SPECIFIED<br>DECIMAL<br>ANGLES<br>DIMENSIONS<br>ARE IN<br>MILLIMETERS | DATE     | DRWG. NO. | REV             | APPROVALS | DATE  | PSC-4068-03                      | 00   | DRAWN  | DATE   | DO NOT SCALE DRAWING | SHEET 1 OF 1 |           |       |           |  |  |      |             |      |           |      |                      |              |            |      |   |              |      |        |      |        |      |       |      |        |      |        |      |        |      |       |       |  |  |      |           |     |           |      |             |    |       |      |                      |              |
| UNLESS SPECIFIED<br>DECIMAL<br>ANGLES<br>DIMENSIONS<br>ARE IN<br>MILLIMETERS  | DATE  | DRWG. NO.  | REV  |          |           |                 |           |       |                                  |  |  |        |                      |              |           |       |           |  |  |      |             |      |           |      |                      |              |            |      |   |              |      |        |      |        |      |       |      |        |      |        |      |        |      |       |       |  |  |      |           |     |           |      |             |    |       |      |                      |              |
| APPROVALS   | DATE  | PSC-4068-03  | 00   |          |           |                 |           |       |                                  |  |  |        |                      |              |           |       |           |  |  |      |             |      |           |      |                      |              |            |      |   |              |      |        |      |        |      |       |      |        |      |        |      |        |      |       |       |  |  |      |           |     |           |      |             |    |       |      |                      |              |
| DRAWN   | DATE  | DO NOT SCALE DRAWING   | SHEET 1 OF 1   |          |           |                 |           |       |                                  |  |  |        |                      |              |           |       |           |  |  |      |             |      |           |      |                      |              |            |      |   |              |      |        |      |        |      |       |      |        |      |        |      |        |      |       |       |  |  |      |           |     |           |      |             |    |       |      |                      |              |
| <p>2. WEIGHT <math>\leq 0.3</math> g</p> <p>3. BODY MATERIAL LOW STRESS EPOXY</p> <p>4. LEAD MATERIAL FeNi-ALLOY or Cu-ALLOY</p> <p>5. LEAD FINISH SOLDER PLATING</p> <p>6. LEAD FORM Z-BENDS</p>   | <p>DIMENSIONS OF SUB-GROUP B1</p> <table border="1" style="width: 100%; border-collapse: collapse;"> <tr><td>A max</td><td>1.95</td></tr> <tr><td>bp min</td><td>0.35</td></tr> <tr><td>bp max</td><td>0.49</td></tr> <tr><td>e nom</td><td>1.27</td></tr> <tr><td>He min</td><td>5.80</td></tr> <tr><td>He max</td><td>6.30</td></tr> <tr><td>Lp min</td><td>0.40</td></tr> <tr><td>Z max</td><td>0.635</td></tr> </table> | A max  | 1.95   | bp min   | 0.35      | bp max          | 0.49      | e nom | 1.27                             | He min   | 5.80   | He max | 6.30                 | Lp min       | 0.40      | Z max | 0.635     | <p>6001 Silver Creek Valley Rd<br/>San Jose, CA 95138<br/>PHONE (408) 244-0000<br/>FAX (408) 244-0072</p> <p><b>IDT</b><br/>www.IDT.com</p> <p>TITLE DCSB PACKAGE OUTLINE<br/>150 mil SOP</p> <table border="1" style="width: 100%; border-collapse: collapse;"> <tr> <td>UNLESS SPECIFIED<br/>DECIMAL<br/>ANGLES<br/>DIMENSIONS<br/>ARE IN<br/>MILLIMETERS</td> <td>DATE</td> <td>DRWG. NO.</td> <td>REV</td> </tr> <tr> <td>APPROVALS</td> <td>DATE</td> <td>PSC-4068-03</td> <td>00</td> </tr> <tr> <td>DRAWN</td> <td>DATE</td> <td>DO NOT SCALE DRAWING</td> <td>SHEET 1 OF 1</td> </tr> </table> | UNLESS SPECIFIED<br>DECIMAL<br>ANGLES<br>DIMENSIONS<br>ARE IN<br>MILLIMETERS | DATE | DRWG. NO.   | REV  | APPROVALS | DATE | PSC-4068-03          | 00           | DRAWN      | DATE | DO NOT SCALE DRAWING  | SHEET 1 OF 1 |      |        |      |        |      |       |      |        |      |        |      |        |      |       |       |  |  |      |           |     |           |      |             |    |       |      |                      |              |
| A max   | 1.95  |  |  |          |           |                 |           |       |                                  |  |  |        |                      |              |           |       |           |  |  |      |             |      |           |      |                      |              |            |      |   |              |      |        |      |        |      |       |      |        |      |        |      |        |      |       |       |  |  |      |           |     |           |      |             |    |       |      |                      |              |
| bp min  | 0.35  |  |  |          |           |                 |           |       |                                  |  |  |        |                      |              |           |       |           |  |  |      |             |      |           |      |                      |              |            |      |   |              |      |        |      |        |      |       |      |        |      |        |      |        |      |       |       |  |  |      |           |     |           |      |             |    |       |      |                      |              |
| bp max  | 0.49  |  |  |          |           |                 |           |       |                                  |  |  |        |                      |              |           |       |           |  |  |      |             |      |           |      |                      |              |            |      |   |              |      |        |      |        |      |       |      |        |      |        |      |        |      |       |       |  |  |      |           |     |           |      |             |    |       |      |                      |              |
| e nom   | 1.27  |  |  |          |           |                 |           |       |                                  |  |  |        |                      |              |           |       |           |  |  |      |             |      |           |      |                      |              |            |      |   |              |      |        |      |        |      |       |      |        |      |        |      |        |      |       |       |  |  |      |           |     |           |      |             |    |       |      |                      |              |
| He min  | 5.80  |  |  |          |           |                 |           |       |                                  |  |  |        |                      |              |           |       |           |  |  |      |             |      |           |      |                      |              |            |      |   |              |      |        |      |        |      |       |      |        |      |        |      |        |      |       |       |  |  |      |           |     |           |      |             |    |       |      |                      |              |
| He max  | 6.30  |  |  |          |           |                 |           |       |                                  |  |  |        |                      |              |           |       |           |  |  |      |             |      |           |      |                      |              |            |      |   |              |      |        |      |        |      |       |      |        |      |        |      |        |      |       |       |  |  |      |           |     |           |      |             |    |       |      |                      |              |
| Lp min  | 0.40  |  |  |          |           |                 |           |       |                                  |  |  |        |                      |              |           |       |           |  |  |      |             |      |           |      |                      |              |            |      |   |              |      |        |      |        |      |       |      |        |      |        |      |        |      |       |       |  |  |      |           |     |           |      |             |    |       |      |                      |              |
| Z max   | 0.635   |  |  |          |           |                 |           |       |                                  |  |  |        |                      |              |           |       |           |  |  |      |             |      |           |      |                      |              |            |      |   |              |      |        |      |        |      |       |      |        |      |        |      |        |      |       |       |  |  |      |           |     |           |      |             |    |       |      |                      |              |
| UNLESS SPECIFIED<br>DECIMAL<br>ANGLES<br>DIMENSIONS<br>ARE IN<br>MILLIMETERS  | DATE  | DRWG. NO.  | REV  |          |           |                 |           |       |                                  |  |  |        |                      |              |           |       |           |  |  |      |             |      |           |      |                      |              |            |      |   |              |      |        |      |        |      |       |      |        |      |        |      |        |      |       |       |  |  |      |           |     |           |      |             |    |       |      |                      |              |
| APPROVALS   | DATE  | PSC-4068-03  | 00   |          |           |                 |           |       |                                  |  |  |        |                      |              |           |       |           |  |  |      |             |      |           |      |                      |              |            |      |   |              |      |        |      |        |      |       |      |        |      |        |      |        |      |       |       |  |  |      |           |     |           |      |             |    |       |      |                      |              |
| DRAWN   | DATE  | DO NOT SCALE DRAWING   | SHEET 1 OF 1   |          |           |                 |           |       |                                  |  |  |        |                      |              |           |       |           |  |  |      |             |      |           |      |                      |              |            |      |   |              |      |        |      |        |      |       |      |        |      |        |      |        |      |       |       |  |  |      |           |     |           |      |             |    |       |      |                      |              |
| <p>DIMENSIONS OF SUB-GROUP C1</p> <table border="1" style="width: 100%; border-collapse: collapse;"> <tr><td>A min</td><td>1.55</td></tr> <tr><td>A1 min</td><td>0.10</td></tr> <tr><td>A1 max</td><td>0.30</td></tr> <tr><td>A2 min</td><td>1.40</td></tr> <tr><td>A2 max</td><td>1.80</td></tr> <tr><td>c min</td><td>0.15</td></tr> <tr><td>c max</td><td>0.25</td></tr> <tr><td>D min*</td><td>4.80</td></tr> <tr><td>D max*</td><td>5.00</td></tr> <tr><td>E min*</td><td>3.80</td></tr> <tr><td>E max*</td><td>4.00</td></tr> <tr><td>k min</td><td>0.33</td></tr> <tr><td><math>\phi</math> max</td><td>0*</td></tr> <tr><td><math>\phi</math> max</td><td>8*</td></tr> </table> <p>* WITHOUT MOLD FLASH</p> | A min   | 1.55   | A1 min   | 0.10     | A1 max    | 0.30            | A2 min    | 1.40  | A2 max                           | 1.80   | c min  | 0.15   | c max                | 0.25         | D min*    | 4.80  | D max*    | 5.00   | E min*   | 3.80 | E max*      | 4.00 | k min     | 0.33 | $\phi$ max           | 0*           | $\phi$ max | 8*   | <p>DIMENSIONS OF SUB-GROUP B1</p> <table border="1" style="width: 100%; border-collapse: collapse;"> <tr><td>A max</td><td>1.95</td></tr> <tr><td>bp min</td><td>0.35</td></tr> <tr><td>bp max</td><td>0.49</td></tr> <tr><td>e nom</td><td>1.27</td></tr> <tr><td>He min</td><td>5.80</td></tr> <tr><td>He max</td><td>6.30</td></tr> <tr><td>Lp min</td><td>0.40</td></tr> <tr><td>Z max</td><td>0.635</td></tr> </table> | A max        | 1.95 | bp min | 0.35 | bp max | 0.49 | e nom | 1.27 | He min | 5.80 | He max | 6.30 | Lp min | 0.40 | Z max | 0.635 | <p>6001 Silver Creek Valley Rd<br/>San Jose, CA 95138<br/>PHONE (408) 244-0000<br/>FAX (408) 244-0072</p> <p><b>IDT</b><br/>www.IDT.com</p> <p>TITLE DCSB PACKAGE OUTLINE<br/>150 mil SOP</p> <table border="1" style="width: 100%; border-collapse: collapse;"> <tr> <td>UNLESS SPECIFIED<br/>DECIMAL<br/>ANGLES<br/>DIMENSIONS<br/>ARE IN<br/>MILLIMETERS</td> <td>DATE</td> <td>DRWG. NO.</td> <td>REV</td> </tr> <tr> <td>APPROVALS</td> <td>DATE</td> <td>PSC-4068-03</td> <td>00</td> </tr> <tr> <td>DRAWN</td> <td>DATE</td> <td>DO NOT SCALE DRAWING</td> <td>SHEET 1 OF 1</td> </tr> </table> | UNLESS SPECIFIED<br>DECIMAL<br>ANGLES<br>DIMENSIONS<br>ARE IN<br>MILLIMETERS | DATE | DRWG. NO. | REV | APPROVALS | DATE | PSC-4068-03 | 00 | DRAWN | DATE | DO NOT SCALE DRAWING | SHEET 1 OF 1 |
| A min   | 1.55  |  |  |          |           |                 |           |       |                                  |  |  |        |                      |              |           |       |           |  |  |      |             |      |           |      |                      |              |            |      |   |              |      |        |      |        |      |       |      |        |      |        |      |        |      |       |       |  |  |      |           |     |           |      |             |    |       |      |                      |              |
| A1 min  | 0.10  |  |  |          |           |                 |           |       |                                  |  |  |        |                      |              |           |       |           |  |  |      |             |      |           |      |                      |              |            |      |   |              |      |        |      |        |      |       |      |        |      |        |      |        |      |       |       |  |  |      |           |     |           |      |             |    |       |      |                      |              |
| A1 max  | 0.30  |  |  |          |           |                 |           |       |                                  |  |  |        |                      |              |           |       |           |  |  |      |             |      |           |      |                      |              |            |      |   |              |      |        |      |        |      |       |      |        |      |        |      |        |      |       |       |  |  |      |           |     |           |      |             |    |       |      |                      |              |
| A2 min  | 1.40  |  |  |          |           |                 |           |       |                                  |  |  |        |                      |              |           |       |           |  |  |      |             |      |           |      |                      |              |            |      |   |              |      |        |      |        |      |       |      |        |      |        |      |        |      |       |       |  |  |      |           |     |           |      |             |    |       |      |                      |              |
| A2 max  | 1.80  |  |  |          |           |                 |           |       |                                  |  |  |        |                      |              |           |       |           |  |  |      |             |      |           |      |                      |              |            |      |   |              |      |        |      |        |      |       |      |        |      |        |      |        |      |       |       |  |  |      |           |     |           |      |             |    |       |      |                      |              |
| c min   | 0.15  |  |  |          |           |                 |           |       |                                  |  |  |        |                      |              |           |       |           |  |  |      |             |      |           |      |                      |              |            |      |   |              |      |        |      |        |      |       |      |        |      |        |      |        |      |       |       |  |  |      |           |     |           |      |             |    |       |      |                      |              |
| c max   | 0.25  |  |  |          |           |                 |           |       |                                  |  |  |        |                      |              |           |       |           |  |  |      |             |      |           |      |                      |              |            |      |   |              |      |        |      |        |      |       |      |        |      |        |      |        |      |       |       |  |  |      |           |     |           |      |             |    |       |      |                      |              |
| D min*  | 4.80  |  |  |          |           |                 |           |       |                                  |  |  |        |                      |              |           |       |           |  |  |      |             |      |           |      |                      |              |            |      |   |              |      |        |      |        |      |       |      |        |      |        |      |        |      |       |       |  |  |      |           |     |           |      |             |    |       |      |                      |              |
| D max*  | 5.00  |  |  |          |           |                 |           |       |                                  |  |  |        |                      |              |           |       |           |  |  |      |             |      |           |      |                      |              |            |      |   |              |      |        |      |        |      |       |      |        |      |        |      |        |      |       |       |  |  |      |           |     |           |      |             |    |       |      |                      |              |
| E min*  | 3.80  |  |  |          |           |                 |           |       |                                  |  |  |        |                      |              |           |       |           |  |  |      |             |      |           |      |                      |              |            |      |   |              |      |        |      |        |      |       |      |        |      |        |      |        |      |       |       |  |  |      |           |     |           |      |             |    |       |      |                      |              |
| E max*  | 4.00  |  |  |          |           |                 |           |       |                                  |  |  |        |                      |              |           |       |           |  |  |      |             |      |           |      |                      |              |            |      |   |              |      |        |      |        |      |       |      |        |      |        |      |        |      |       |       |  |  |      |           |     |           |      |             |    |       |      |                      |              |
| k min   | 0.33  |  |  |          |           |                 |           |       |                                  |  |  |        |                      |              |           |       |           |  |  |      |             |      |           |      |                      |              |            |      |   |              |      |        |      |        |      |       |      |        |      |        |      |        |      |       |       |  |  |      |           |     |           |      |             |    |       |      |                      |              |
| $\phi$ max  | 0*  |  |  |          |           |                 |           |       |                                  |  |  |        |                      |              |           |       |           |  |  |      |             |      |           |      |                      |              |            |      |   |              |      |        |      |        |      |       |      |        |      |        |      |        |      |       |       |  |  |      |           |     |           |      |             |    |       |      |                      |              |
| $\phi$ max  | 8*  |  |  |          |           |                 |           |       |                                  |  |  |        |                      |              |           |       |           |  |  |      |             |      |           |      |                      |              |            |      |   |              |      |        |      |        |      |       |      |        |      |        |      |        |      |       |       |  |  |      |           |     |           |      |             |    |       |      |                      |              |
| A max   | 1.95  |  |  |          |           |                 |           |       |                                  |  |  |        |                      |              |           |       |           |  |  |      |             |      |           |      |                      |              |            |      |   |              |      |        |      |        |      |       |      |        |      |        |      |        |      |       |       |  |  |      |           |     |           |      |             |    |       |      |                      |              |
| bp min  | 0.35  |  |  |          |           |                 |           |       |                                  |  |  |        |                      |              |           |       |           |  |  |      |             |      |           |      |                      |              |            |      |   |              |      |        |      |        |      |       |      |        |      |        |      |        |      |       |       |  |  |      |           |     |           |      |             |    |       |      |                      |              |
| bp max  | 0.49  |  |  |          |           |                 |           |       |                                  |  |  |        |                      |              |           |       |           |  |  |      |             |      |           |      |                      |              |            |      |   |              |      |        |      |        |      |       |      |        |      |        |      |        |      |       |       |  |  |      |           |     |           |      |             |    |       |      |                      |              |
| e nom   | 1.27  |  |  |          |           |                 |           |       |                                  |  |  |        |                      |              |           |       |           |  |  |      |             |      |           |      |                      |              |            |      |   |              |      |        |      |        |      |       |      |        |      |        |      |        |      |       |       |  |  |      |           |     |           |      |             |    |       |      |                      |              |
| He min  | 5.80  |  |  |          |           |                 |           |       |                                  |  |  |        |                      |              |           |       |           |  |  |      |             |      |           |      |                      |              |            |      |   |              |      |        |      |        |      |       |      |        |      |        |      |        |      |       |       |  |  |      |           |     |           |      |             |    |       |      |                      |              |
| He max  | 6.30  |  |  |          |           |                 |           |       |                                  |  |  |        |                      |              |           |       |           |  |  |      |             |      |           |      |                      |              |            |      |   |              |      |        |      |        |      |       |      |        |      |        |      |        |      |       |       |  |  |      |           |     |           |      |             |    |       |      |                      |              |
| Lp min  | 0.40  |  |  |          |           |                 |           |       |                                  |  |  |        |                      |              |           |       |           |  |  |      |             |      |           |      |                      |              |            |      |   |              |      |        |      |        |      |       |      |        |      |        |      |        |      |       |       |  |  |      |           |     |           |      |             |    |       |      |                      |              |
| Z max   | 0.635   |  |  |          |           |                 |           |       |                                  |  |  |        |                      |              |           |       |           |  |  |      |             |      |           |      |                      |              |            |      |   |              |      |        |      |        |      |       |      |        |      |        |      |        |      |       |       |  |  |      |           |     |           |      |             |    |       |      |                      |              |
| UNLESS SPECIFIED<br>DECIMAL<br>ANGLES<br>DIMENSIONS<br>ARE IN<br>MILLIMETERS  | DATE  | DRWG. NO.  | REV  |          |           |                 |           |       |                                  |  |  |        |                      |              |           |       |           |  |  |      |             |      |           |      |                      |              |            |      |   |              |      |        |      |        |      |       |      |        |      |        |      |        |      |       |       |  |  |      |           |     |           |      |             |    |       |      |                      |              |
| APPROVALS   | DATE  | PSC-4068-03  | 00   |          |           |                 |           |       |                                  |  |  |        |                      |              |           |       |           |  |  |      |             |      |           |      |                      |              |            |      |   |              |      |        |      |        |      |       |      |        |      |        |      |        |      |       |       |  |  |      |           |     |           |      |             |    |       |      |                      |              |
| DRAWN   | DATE  | DO NOT SCALE DRAWING   | SHEET 1 OF 1   |          |           |                 |           |       |                                  |  |  |        |                      |              |           |       |           |  |  |      |             |      |           |      |                      |              |            |      |   |              |      |        |      |        |      |       |      |        |      |        |      |        |      |       |       |  |  |      |           |     |           |      |             |    |       |      |                      |              |

## ORDERING INFORMATION

| Part / Order Number | Shipping Packaging | Package    | Temperature |
|---------------------|--------------------|------------|-------------|
| 2305NZ-1HDCG        | Tubes              | 8-pin SOIC | 0 to +70°   |
| 2305NZ-1HDCG8       | Tape and Reel      | 8-pin SOIC | 0 to +70°   |
| 2305NZ-1HDCGI       | Tubes              | 8-pin SOIC | -40 to +85° |
| 2305NZ-1HDCGI8      | Tape and Reel      | 8-pin SOIC | -40 to +85° |

"G" after the two-letter package code denotes Pb-free configuration, RoHS compliant



*CORPORATE HEADQUARTERS*  
6024 Silver Creek Valley Road  
San Jose, CA 95138

*for SALES:*  
800-345-7015 or 408-284-8200  
fax: 408-284-2775  
[www.idt.com/go/sales](http://www.idt.com/go/sales)

*for Tech Support:*  
[www.idt.com/go/support](http://www.idt.com/go/support)