

| PART NO.   | ENG. NO.     |
|------------|--------------|
| 02-09-2141 | 1434-(P901)  |
| 02-09-2143 | 1434-(P901)L |
| 02-09-2149 | 1434-(P901)I |
| 02-09-2186 | 1434-(P903)  |
| 02-09-2185 | 1434-(P903)L |
| 02-09-6144 | 1434-(550)   |
| 02-09-6145 | 1434-(550)L  |

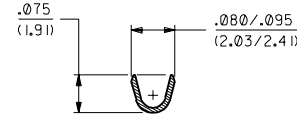
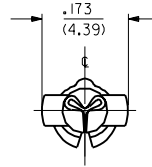
**LEGEND**

1434-(\*\*\*\*)\*

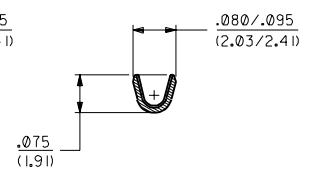
- P = PREPLATE
- BLANK = POSTPLATE
- FORM BLANK = CHAIN
- L = LOOSE
- I = WITH INTERLEAF PAPER
- FINISH CODE (SEE NOTE 2)

**NOTES:**

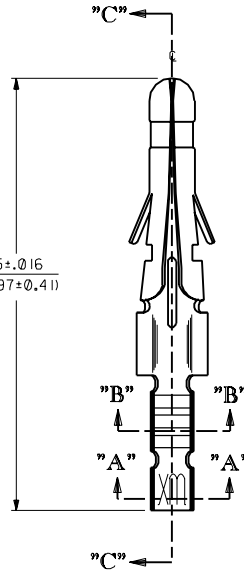
- MATERIAL: BRASS, ALLOY #26000
- FINISH:
  - 901 HOT TIN DIP .000020/(0.0005) MIN.
  - 903 HOT TIN-LEAD DIP .000050/(0.00127) MIN.
  - 550 SELECT GOLD PLATE .000015/(0.00038) MIN. IN CONTACT AREA, OVER .000030/(0.00076) MIN. NICKEL OVERALL WITH .000010/(0.00025) MAX. GOLD FLASH OVERALL
- THIS PART CONFORMS TO PRODUCT SPECIFICATION 02-09
- TERMINAL FOR USE WITH .093/(2.36) SERIES HOUSINGS AND WILL ACCEPT 24 THRU 30 AWG WIRE.
- INSERTION FORCE: 3.5 LBS. MAX. WHEN TERMINAL IS INSERTED INTO AN .093 SERIES HOUSING.
- CONTACT RETENTION: 20 LBS. MIN.



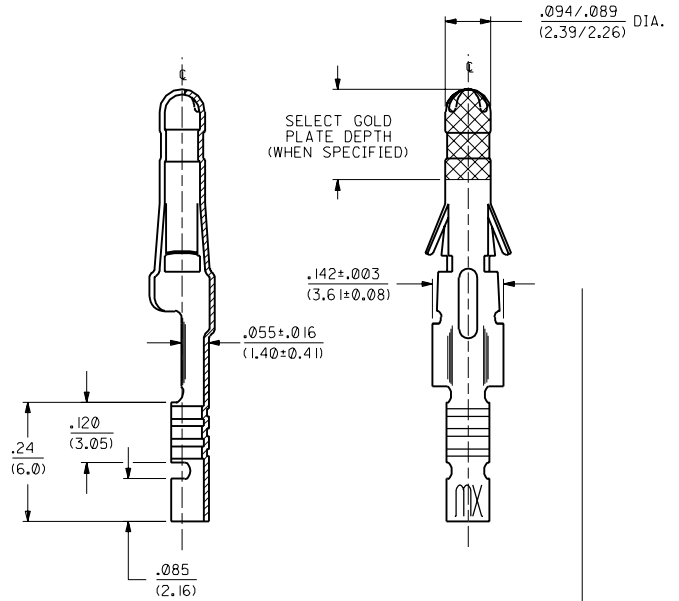
**SECT. "A-A"**



**SECT. "B-B"**



**SECT. "C-C"**



|     |  |
|-----|--|
| AC  | ADD - (P901) ECN #2001-0905 4-5-01 BW      |
| ABI | REVISED ECN# UCR1999-0518 STAMBAUGH 99-2-9 |
| AB  | FINAL RELEASE ECR 11/04/54 2/20/91 RW      |

|  |              |   |           |                           |  |
|--|--------------|---|-----------|---------------------------|--|
| DIMENSIONS SHOWN METRIC (INCH)                       |              | UNLESS OTHERWISE SPECIFIED TOLERANCES: ANGULAR ± 1/2°         |           | REVISE ONLY ON CAD SYSTEM |  |
| INCH   | METRIC       | TITLE   | SHEET NO. | DATE                      |  |
| 3 PLACE ± .010                                       | ---          | CRIMP TERMINAL, MALE .093/(2.36) DIA. FOR 24 THRU 30 AWG WIRE | 1         | 2/20/91                   |  |
| 2 PLACE ± .014                                       | ± 0.25       | MOLEX INCORPORATED  |           | U.S.A.                    |  |
| 1 PLACE ---  | ± 0.36       | L15LEJLL 69532  |           |                           |  |
| DRAFT WHERE APPLICABLE MUST REMAIN WITHIN DIMENSIONS |              | PART NO. SD-1434-*  |           | DRWG. NO.                 |  |
| DRWG. BY: GWF  | CHKD. BY: RW | FILE NAME: S1434X1.DWG  |           | SCALE: 6 : 1              |  |