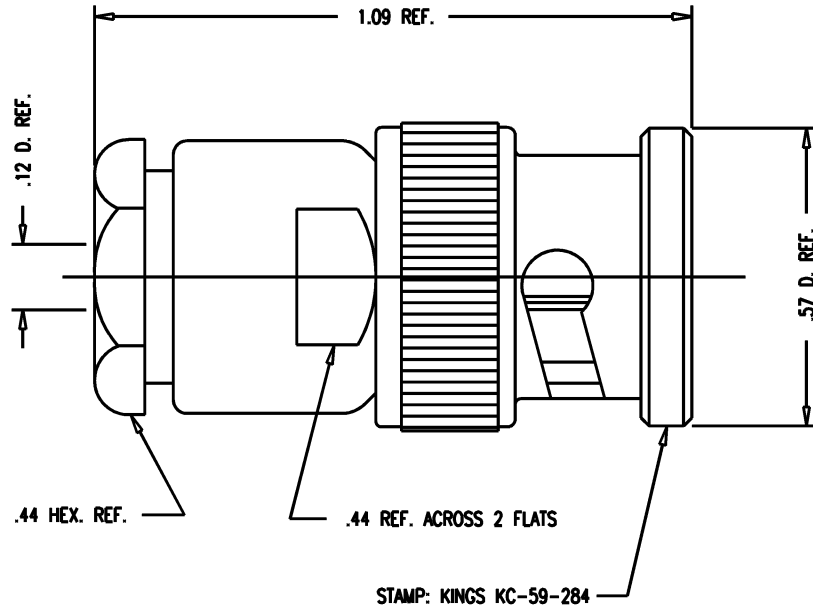


GSD

KC-59-284



NOTES:

1. FOR USE WITH RG-174, 179, 187, 188 & 316/U CABLES.
2. FOR CABLING INSTRUCTIONS SEE CP-1004.1
3. INTERFACE PER MIL-STD-348, FIG. 301-1.
4. SAME AS KC-59-89 EXCEPT FOR FINISH & MARKING.
5. MATERIALS:
 - INSULATORS: TEFLON, ASTM-D-1457
 - GASKETS: SILICONE RUBBER, ZZ-R-765
 - SPRING WASHER } BERYLLIUM COPPER, ASTM-B-196
 - OUTER CONTACT }
 - ALL OTHER METAL PARTS: BRASS, ASTM-B16
6. FINISHES:
 - CENTER CONTACT: SILVER PLATE PER QQ-S-365
 - ALL OTHER METAL PARTS: KINGS TARNISH RESISTANT FINISH (TR-5)
7. ELECTRICAL CHARACTERISTICS:
 - NOMINAL IMPEDANCE: 50 OHMS
 - FREQUENCY RANGE: DC TO 4 GHz
 - WORKING VOLTAGE: 500 VRMS

REVISIONS

| ISSUE | CHANGES |
|-------|---------------------------------------|
| 6 | CN 33604 C REDRAWN JCA 12/17/91 |

JCA2304

| | | | |
|---------------------|-----|------|----------|
| SCALE | 4:1 | | |
| APPROX SURFACE AREA | | | |
| USED ON | | | |
| REF: | | | |
| PLUG, BNC | | | |
| DRAWN | JCA | DATE | 12/17/91 |
| DESIGN | MJB | DATE | 12/18/91 |
| APPR. | | DATE | |

KINGS
ELECTRONICS CO., INC.
TUCKAHOE, NEW YORK 10707

KC-59-284

GSD