

6

5

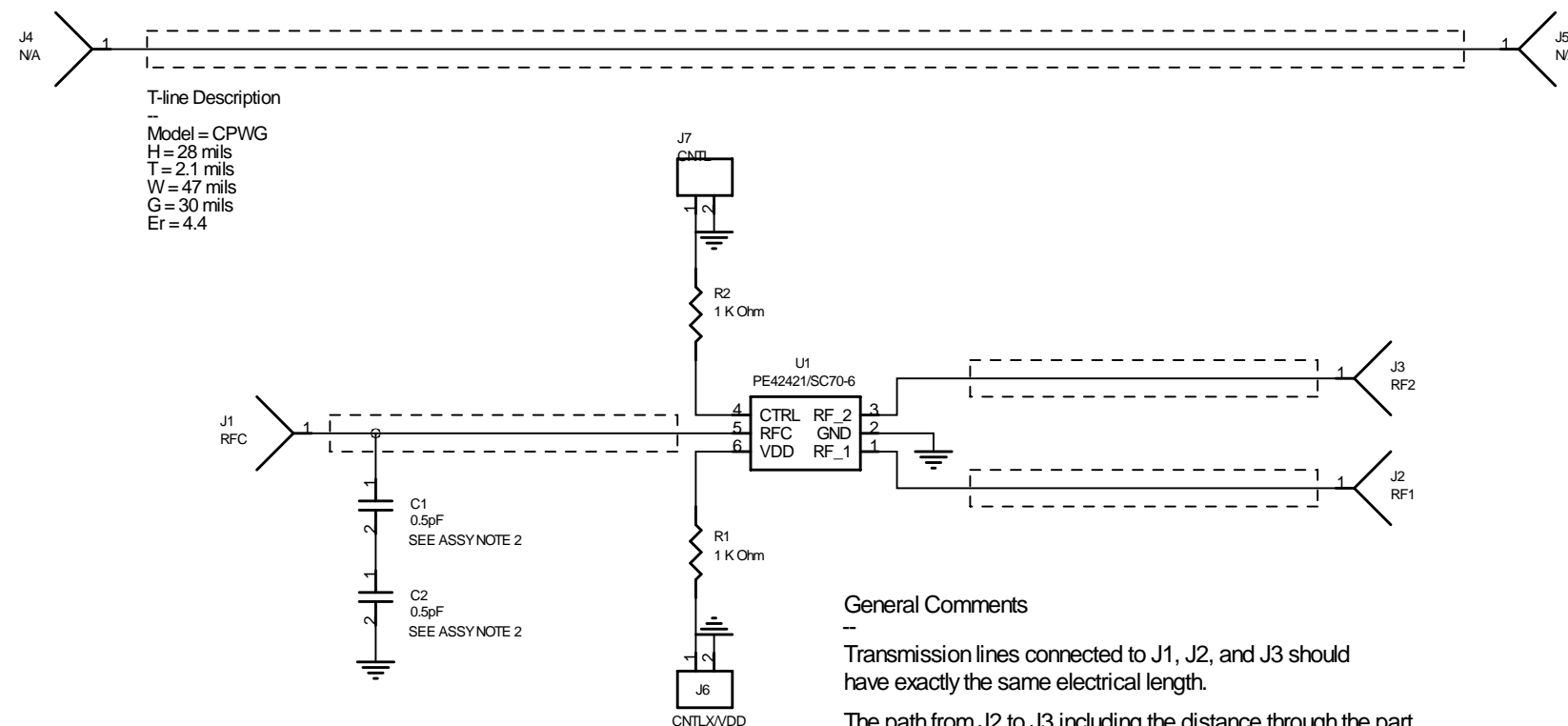
4

3

2

1

REVISION RECORD			
LTR	ECONO:	APPROVED:	DATE:



General Comments
 --
 Transmission lines connected to J1, J2, and J3 should have exactly the same electrical length.
 The path from J2 to J3 including the distance through the part should have the same length as J4 and J5 and be in parallel to J4 to J5.

NOTES:

1. USE PCB PART NUMBER: 101-0162-02.
2. ADD TWO 0.5PF CAPS IN SERIES TO BE SHUNTED ON THE J1 SMA INPUT.
 SOLDER C1 SIDE 1 TO THE RF TRACE CLOSE TO THE J1 PIN.
 SOLDER C1 SIDE 2 TO C2 SIDE 1.
 SOLDER C2 SIDE 2 TO GROUND.

COMPANY: PEREGRINE SEMICONDUCTOR			
TITLE: SCHEMATIC, PE42421 SC70 SPDT SWITCH EK			
CODE:	SIZE: B	DRAWING NO: 102-0756	REV: 01
SCALE:		SHEET: 1 of 1	

DRAWN: S. Johnson	DATED: 9-07-11
CHECKED: Stephen Knox	DATED: 9-07-11
QUALITY CONTROL:	DATED:
RELEASED:	DATED:

Item	Qty	Reference	Value	Description	Manufacturer	Manufacturer Part Number	Distributor	Distributor Part Number	Data Sheet	Notes
1	2	C1-2	0.5pF				Murata Electronics	GRM1885C	Digi-Key	490-1370-2-ND
2	1	J7	CNTL							
3	1	J6	CNTLX/VDD							
4	1	U1	PE42421/SC70-6							
5	2	R1-2	1 K Ohm				YAGEO	9C04021A1	DIGIKEY	311-1.00KLTR-ND
6	2	J4-5	N/A	SMA Connector (Side Mount)						
7	1	J2	RF1	SMA Connector (Side Mount)						
8	1	J3	RF2	SMA Connector (Side Mount)						
9	1	J1	RFC	SMA Connector (Side Mount)						
10	1	101-0162-02	PCB, PE42421SC70 SPDT SWITCH EK							