

## Features & Benefits

- Utilizes standard NTT-SC\* connectors
- Meets EIA/TIA 568A and IEC 874-19 standards
- Easy to assemble 1-piece SC connector body
- Low insertion loss:
  - < 0.15 dB typical SM
  - < 0.34 dB typical MM
  - < 0.17 dB typical MM enhanced
- Rugged duplex housing provides uniform and smooth mating
- Optional adapter styles:
  - SC to SC and SC to ST†
  - Snap mount or flange mount

## Applications

- Telecommunication networks
- Data communication networks
- Fibre Channel

The SC Duplex Connection System has been designed to maintain fiber optic cabling polarity in the telecommunication and data communication networks.

The connector system combines two, widely accepted, NTT-SC standard connectors in a common duplex housing. This housing, while maintaining polarity of the cable, provides smooth insertion and removal of the connector pairs. By using the Molex SC connectors, economic benefits of the easy to assemble one-piece connector body and the reliability of a Telcordia and IEC tested connector design can be realized in a duplex configuration. They are also available with the fibre channel standard compliant housing.

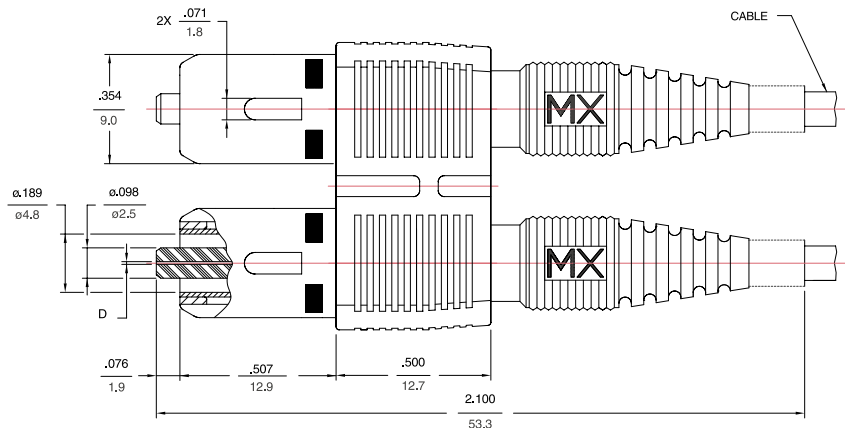
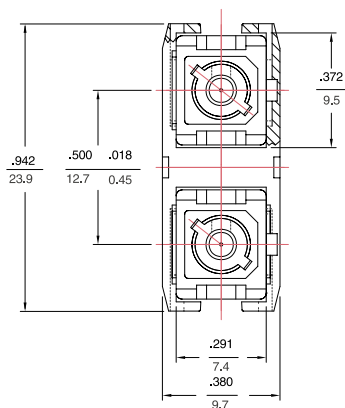
To support the use of optical fiber as a cabling media in the network, especially in the horizontal premises applications, Molex offers a variety of duplex adapters. The SC to SC combination, available in flange mount or snap mount versions, supports the EIA/TIA commercial building telecommunication wiring standards, and the SC to ST, also available in the flange or snap mount versions, supports the migration to these standards. These adapters are now available with a snap-on shutter assembly which provides a barrier against laser exposure and dust contamination. All adapter styles are available with either the zirconia ceramic or phosphor bronze sleeves.

\*NTT-SC is a trademark of NTT Advanced Technology Corporation

†ST is a trademark of Lucent Technologies

## Mechanical Dimensions

### SC Duplex Connector

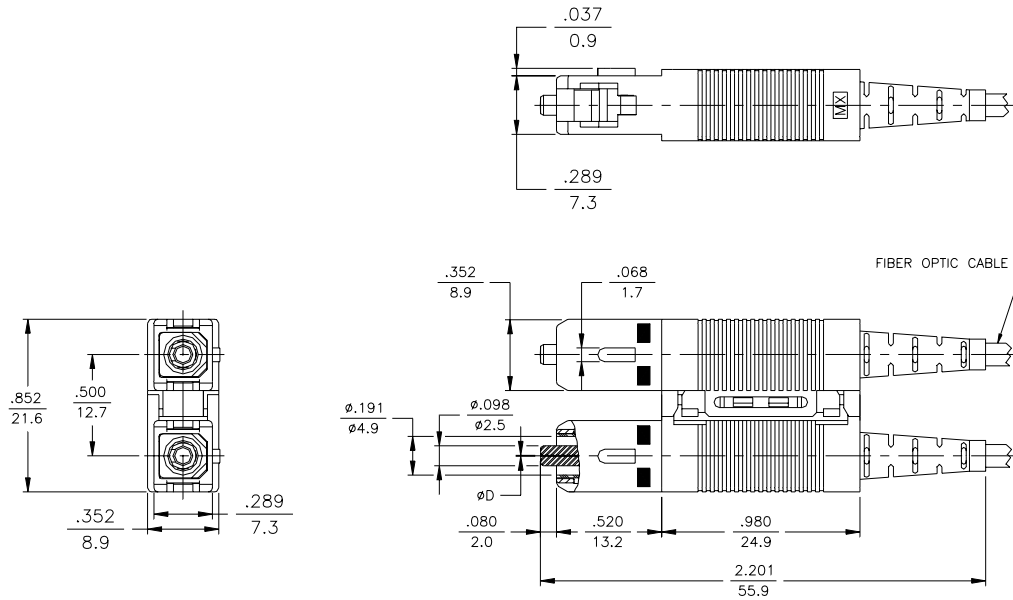


All dimensions in  $\frac{\text{INCHES}}{\text{mm}}$

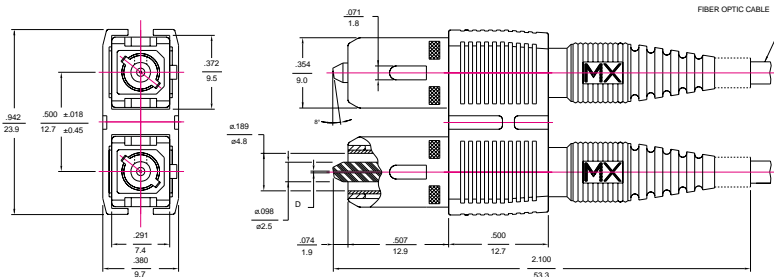
# SC Duplex Connectors & Adapters

## Mechanical Dimensions

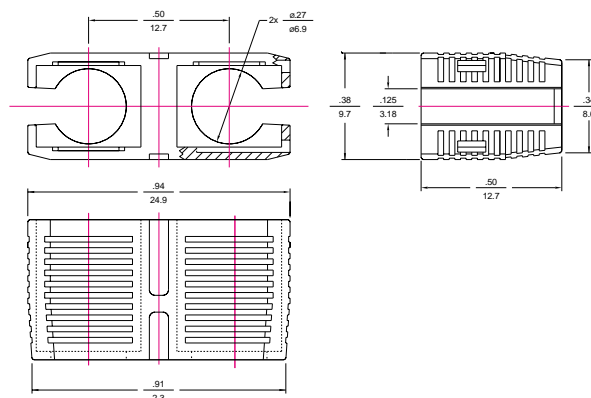
### SC Tunable Duplex Connector Fibre Channel Housing



### SC/APC Duplex Connector

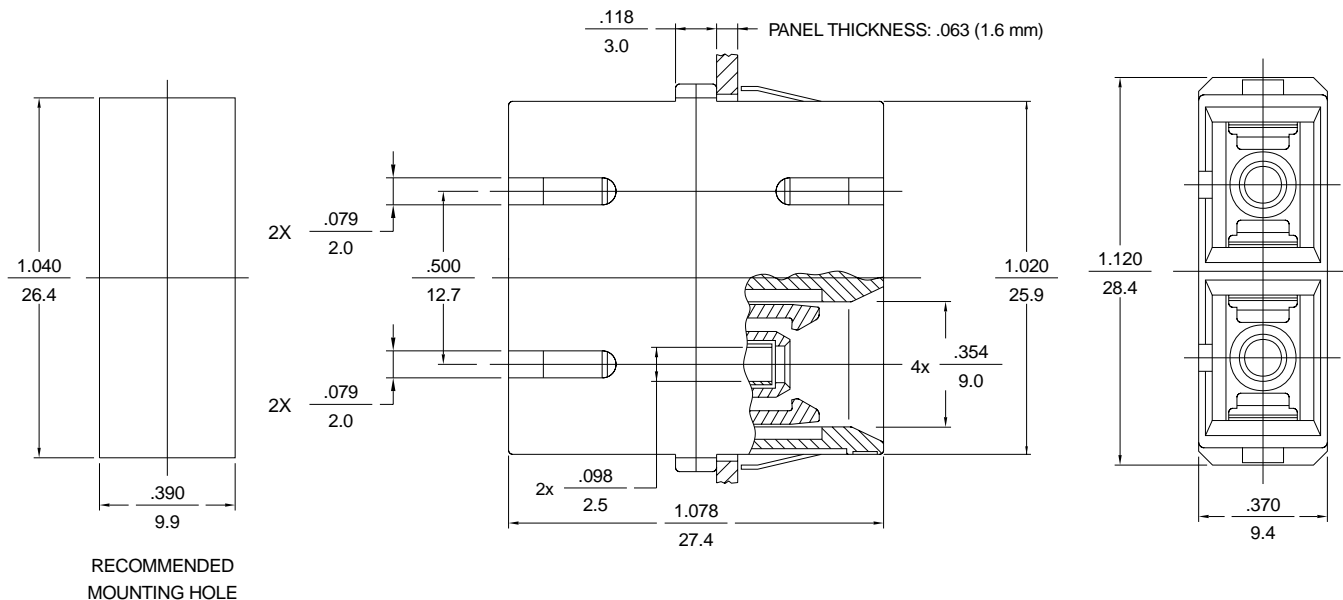


### SC Duplex Clip

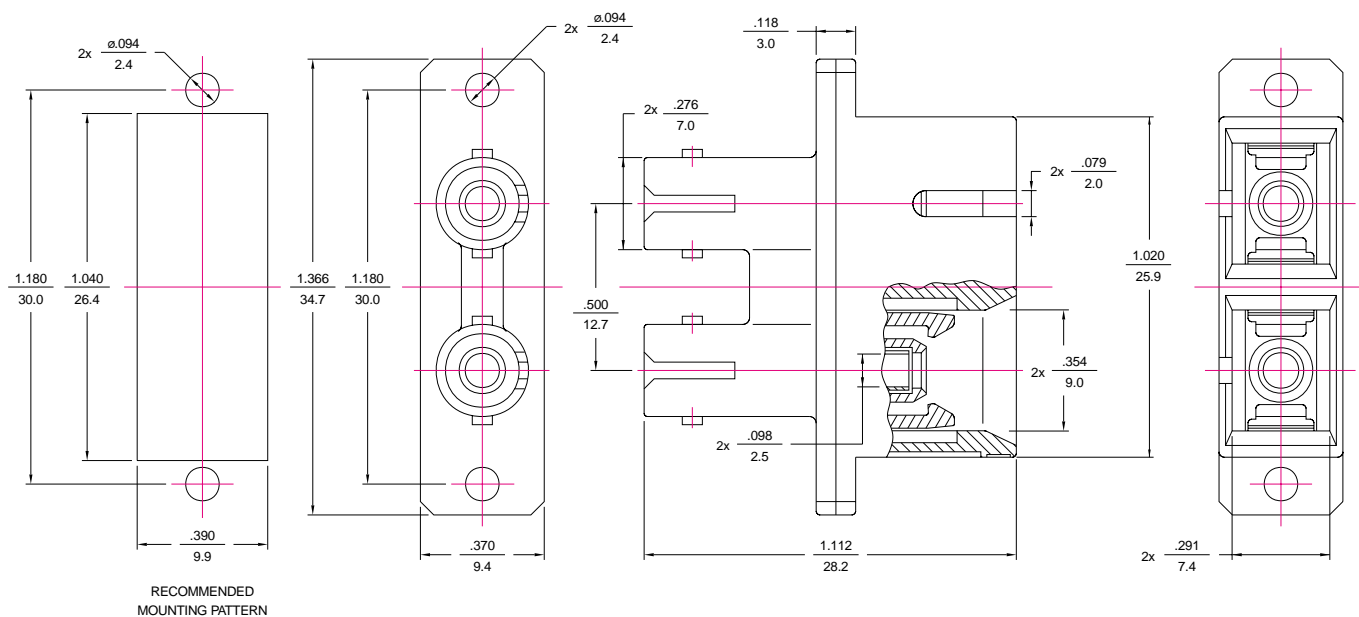


## Mechanical Dimensions

### SC to SC Duplex Adapter Snap Mount

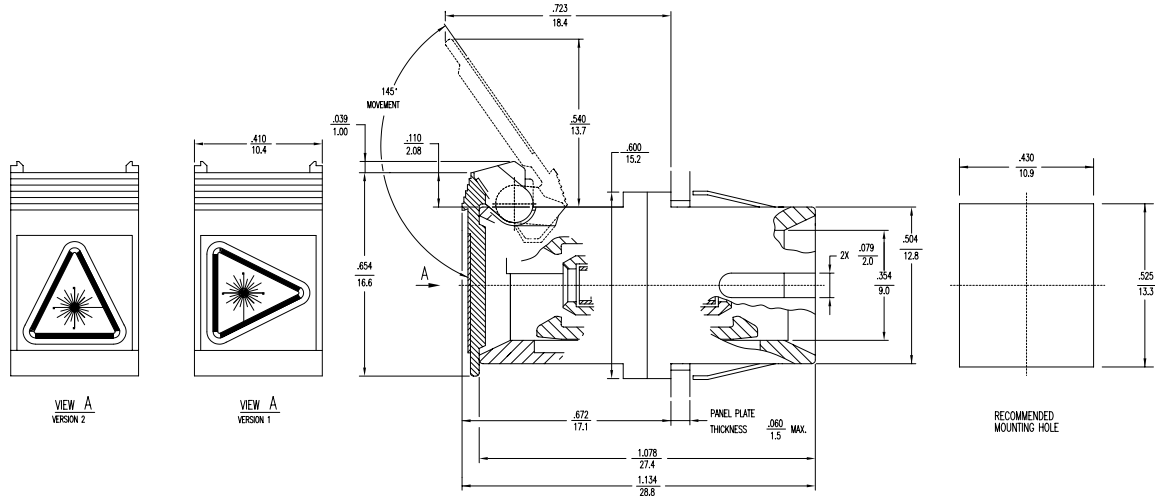


### SC to ST Duplex Adapter Flange Mount

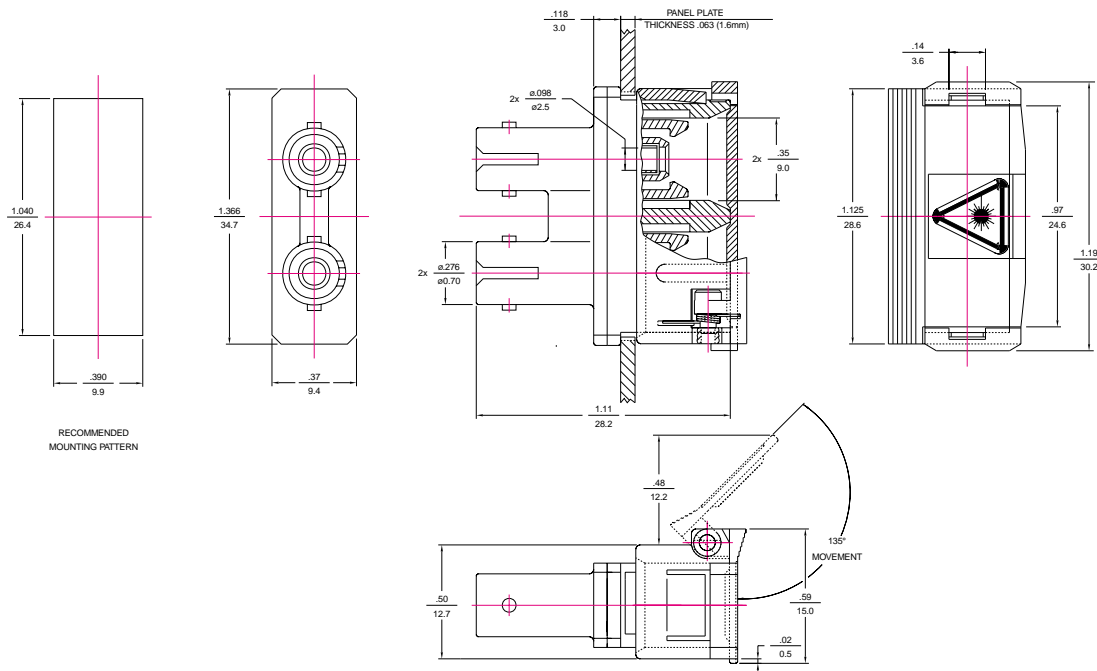


## Mechanical Dimensions

### SC to SC Adapter with Shutter Flange Mount



### SC to ST Duplex Adapter with Shutter Snap Mount



# SC Duplex Connectors & Adapters



## Standard Part Numbers

Order Number	Description	Hole size "D"	Cable size
86066-0000	SC duplex connector, MM, zirconia PC <sup>+</sup> ferrule, beige housing, beige boot	127µm	3.0mm
86066-0300	SC duplex connector, MM, zirconia PC <sup>+</sup> ferrule, beige housing, beige boot	127µm	2.4mm
86066-3000	SC duplex connector, MM, zirconia PC ferrule, enhanced beige housing, beige boot	128µm	3.0mm
86066-3300	SC duplex connector, MM, zirconia PC ferrule, enhanced beige housing, beige boot	128µm	2.4mm
86066-8000	SC duplex connector, MM, stainless steel ferrule, beige housing, beige boot	127µm	3.0mm
86066-8300	SC duplex connector, MM, stainless steel ferrule, beige housing, beige boot	127µm	2.4mm
86066-0070	SC duplex connector, MM, zirconia PC <sup>+</sup> ferrule, black housing, black boot	127µm	3.0mm
86066-0370	SC duplex connector, MM, zirconia PC <sup>+</sup> ferrule, black housing, black boot	127µm	2.4mm
86066-3070	SC duplex connector, MM, zirconia PC ferrule, enhanced black housing, black boot	128µm	3.0mm
86066-3370	SC duplex connector, MM, zirconia PC ferrule, enhanced black housing, black boot	128µm	2.4mm
86066-4000	SC duplex connector, SM, zirconia PC ferrule, blue housing, yellow boot	125µm	3.0mm
86066-4300	SC duplex connector, SM, zirconia PC ferrule, blue housing, yellow boot	125µm	2.4mm
86066-5000	SC duplex connector, SM, zirconia PC ferrule, blue housing, yellow boot	126µm	3.0mm
86066-5300	SC duplex connector, SM, zirconia PC ferrule, blue housing, yellow boot	126µm	2.4mm
86066-7000	SC duplex connector, SM, zirconia PC ferrule, blue housing, yellow boot	127µm	3.0mm
86066-7300	SC duplex connector, SM, zirconia PC ferrule, blue housing, yellow boot	127µm	2.4mm
86034-0000	SC fibre channel duplex connector, MM, beige housing, beige boot, tunable	127µm	3.0mm
86034-0070	SC fibre channel duplex connector, MM, black housing, black boot, tunable	127µm	3.0mm
86034-3000	SC fibre channel duplex connector, MM, beige housing, beige boot, tunable	128µm	3.0mm
86034-3070	SC fibre channel duplex connector, MM, black housing, black boot, tunable	128µm	3.0mm
86034-5000	SC fibre channel duplex connector, SM, blue housing, blue boot, tunable	126µm	3.0mm
86060-5000	SC duplex connector, APC, green housing, green boot	126µm	3.0mm
86060-5300	SC duplex connector, APC, green housing, green boot	126µm	2.4mm
86166-0110	SC to SC duplex adapter, beige body, zirconia alignment sleeve, snap mount style		
86167-0110	SC to SC duplex adapter, beige body, phosphor bronze alignment sleeve, snap mount style		
86166-0010	SC to SC duplex adapter, beige body, zirconia alignment sleeve, flange mount style		
86167-0010	SC to SC duplex adapter, beige body, phosphor bronze alignment sleeve, flange mount style		
86166-0130	SC to SC duplex adapter, black body, zirconia alignment sleeve, snap mount style		
86167-0130	SC to SC duplex adapter, black body, phosphor bronze alignment sleeve, snap mount style		
86166-0030	SC to SC duplex adapter, black body, zirconia alignment sleeve, flange mount style		
86167-0030	SC to SC duplex adapter, black body, phosphor bronze alignment sleeve, flange mount style		
86166-0100	SC to SC duplex adapter, blue body, zirconia alignment sleeve, snap mount style		
86167-0100	SC to SC duplex adapter, blue body, phosphor bronze alignment sleeve, snap mount style		
86166-0000	SC to SC duplex adapter, blue body, zirconia alignment sleeve, flange mount style		
86167-0000	SC to SC duplex adapter, blue body, phosphor bronze alignment sleeve, flange mount style		
86166-1110	SC to ST duplex adapter, beige body, zirconia alignment sleeve, snap mount style		
86167-1110	SC to ST duplex adapter, beige body, phosphor bronze alignment sleeve, snap mount style		
86166-1010	SC to ST duplex adapter, beige body, zirconia alignment sleeve, flange mount style		
86167-1010	SC to ST duplex adapter, beige body, phosphor bronze alignment sleeve, flange mount style		
86166-1100	SC to ST duplex adapter, blue body, zirconia alignment sleeve, snap mount style		
86167-1100	SC to ST duplex adapter, blue body, phosphor bronze alignment sleeve, snap mount style		
86166-1000	SC to ST duplex adapter, blue body, zirconia alignment sleeve, flange mount style		
86167-1000	SC to ST duplex adapter, blue body, phosphor bronze alignment sleeve, flange mount style		
86166-0610	SC to SC duplex adapter, beige body, zirconia alignment sleeve, snap mount style, shutter		
86167-0610	SC to SC duplex adapter, beige body, phosphor bronze alignment sleeve, snap mount style, shutter		
86166-0510	SC to SC duplex adapter, beige body, zirconia alignment sleeve, flange mount style, shutter		
86167-0510	SC to SC duplex adapter, beige, phosphor bronze alignment sleeve, flange mount style, shutter		
86166-0630	SC to SC duplex adapter, black body, zirconia alignment sleeve, snap mount style, shutter		
86167-0630	SC to SC duplex adapter, black body, phosphor bronze alignment sleeve, snap mount style, shutter		
86166-0530	SC to SC duplex adapter, black body, zirconia alignment sleeve, flange mount style, shutter		
86167-0530	SC to SC duplex adapter, black body, phosphor bronze alignment sleeve, flange mount style, shutter		

## Standard Part Numbers

Order Number	Description
86166-0600	SC to SC duplex adapter, blue body, zirconia alignment sleeve, snap mount style, shutter
86167-0600	SC to SC duplex adapter, blue body, phosphor bronze alignment sleeve, snap mount style, shutter
86166-0500	SC to SC duplex adapter, blue body, zirconia alignment sleeve, flange mount style, shutter
86167-0500	SC to SC duplex adapter, blue body, phosphor bronze alignment sleeve, flange mount style, shutter
86166-1610	SC to ST duplex adapter, beige body, zirconia alignment sleeve, snap mount style, shutter
86167-1610	SC to ST duplex adapter, beige body, phosphor bronze alignment sleeve, snap mount style, shutter
86166-1510	SC to ST duplex adapter, beige body, zirconia alignment sleeve, flange mount style, shutter
86167-1510	SC to ST duplex adapter, beige body, phosphor bronze alignment sleeve, flange mount style, shutter
86166-1600	SC to ST duplex adapter, blue body, zirconia alignment sleeve, snap mount style, shutter
86167-1600	SC to ST duplex adapter, blue body, phosphor bronze alignment sleeve, snap mount style, shutter
86166-1500	SC to ST duplex adapter, blue body, zirconia alignment sleeve, flange mount style, shutter
86167-1500	SC to ST duplex adapter, blue body, phosphor bronze alignment sleeve, flange mount style, shutter
86166-0650	SC to SC duplex adapter, APC, green body, zirconia alignment sleeve, snap mount style
86167-0650	SC to SC duplex adapter, APC, green body, phosphor bronze alignment sleeve, snap mount style
86166-0550	SC to SC duplex adapter, APC, green body, zirconia alignment sleeve, flange mount style
86167-0550	SC to SC duplex adapter, APC, green body, phosphor bronze alignment sleeve, flange mount style
85335-0009	SC to ST duplex metal adapter, zirconia alignment sleeve, square flange mounting holes without thread
85335-0010	SC to ST duplex metal adapter, phosphor bronze alignment sleeve, square flange mounting holes without thread
85335-0013	SC to SC duplex metal adapter, zirconia alignment sleeve, square flange mounting holes without thread
85335-0014	SC to SC duplex metal adapter, phosphor bronze alignment sleeve, square flange mounting holes without thread
85335-0015	SC to SC duplex metal adapter, zirconia alignment sleeve, square flange mounting holes with thread
85335-0016	SC to SC duplex metal adapter, phosphor bronze alignment sleeve, square flange mounting holes with thread