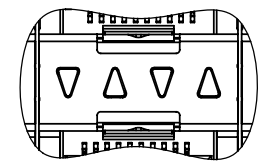
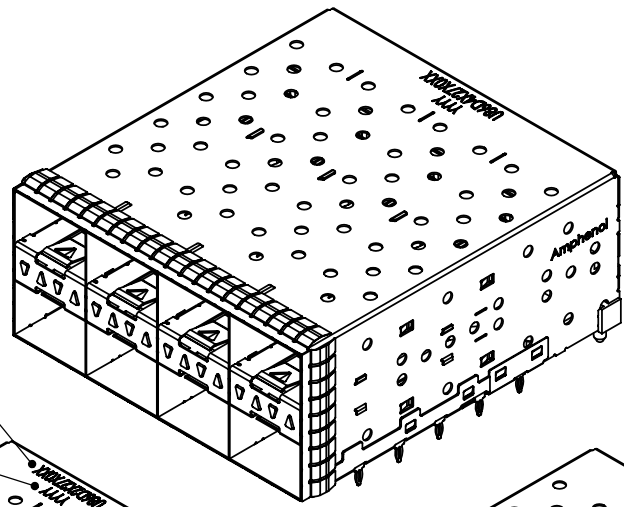
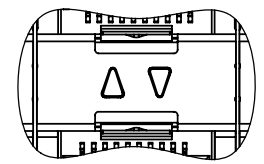




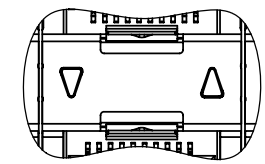
REVISIONS			
REV	DESCRIPTION	DATE	APPRD
D	PROPOSAL	FEB24/09	
E	PART NUMBER SYSTEM UPDATED	AUG27/09	



U86-DX627-10XX1
4 LIGHT PIPES PER 2X1



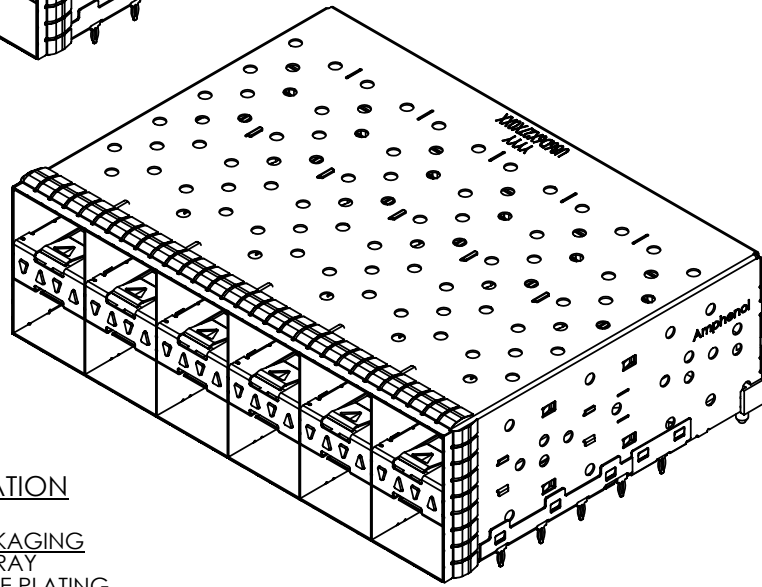
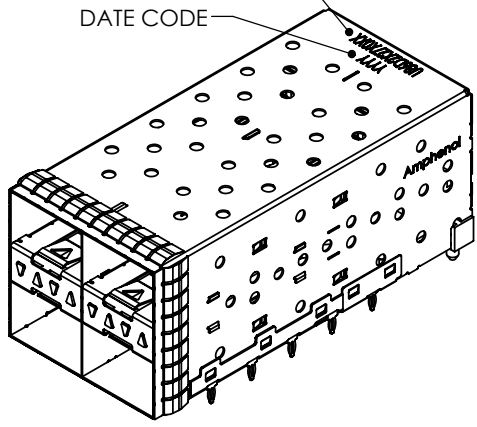
U86-DX627-20XX1
2 INNER LIGHT PIPES PER 2X1



U86-DX627-30XX1
2 OUTER LIGHT PIPES PER 2X1

PART NUMBER
(LAST DIGIT INDICATING
PACKAGING TYPE, NOT
PRINTED ON THE PART)

DATE CODE



MATERIAL: (RoHS COMPLIANT)
CAGE - PRESS FIT:
COPPER ALLOY
PLATING:
SEE AMPHENOL PART NUMBER
CONFIGURATION FOR OPTIONS.
CONNECTOR - PRESS FIT:
PLASTIC HOUSING:
LCP, FLAMMABILITY RATING UL94-0.
CONTACTS:
PHOSPHOR BRONZE
PLATING OPTION: NICKEL 2.54 μm MIN.
LIGHT PIPE:
CLEAR POLYCARBONATE, FLAMMABILITY
RATING UL94-0.
PACKAGING:
TRAY PACKAGING.
TEMPERATURE RANGE:
-40°C TO +85°C

AMPHENOL PART NUMBER CONFIGURATION

U86 - D X 6 2 7 - X 0 X X 1

NUMBER OF PORTS
2 = 2X2
4 = 2X4
6 = 2X6

LIGHT PIPE CONFIGURATION
1 = 4 LIGHT PIPES PER 2X1
2 = 2 INNER LIGHT PIPES PER 2X1
3 = 2 OUTER LIGHT PIPES PER 2X1

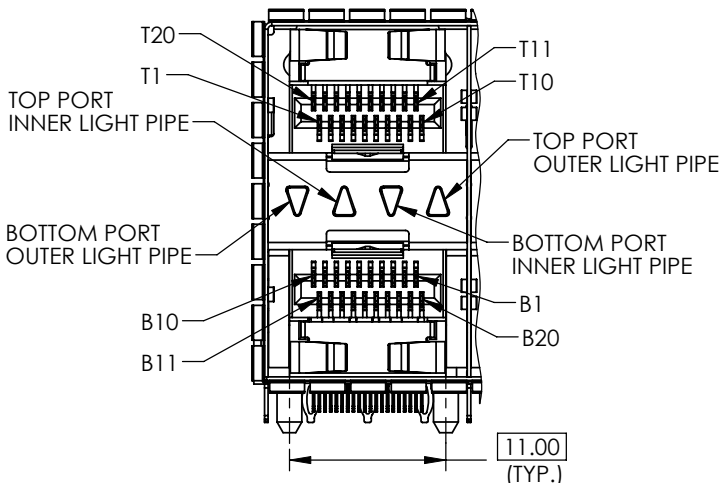
PACKAGING
1 = TRAY
CAGE PLATING
2 = NICKEL
PRESS FIT CONNECTOR PLATING
1 = 0.76 μm MIN. GOLD ON MATING AREA
3.81-7.62 μm TIN/LEAD ON TERMINATION
4 = 0.38 μm MIN. GOLD ON MATING AREA
3.81-7.62 μm TIN/LEAD ON TERMINATION

DO NOT SCALE DRAWING

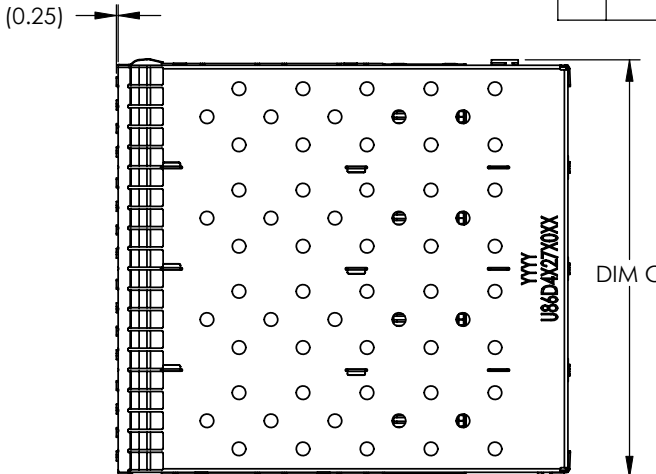
THIS DOCUMENT CONTAINS PROPRIETARY INFORMATION AND SUCH INFORMATION MAY NOT BE DISCLOSED TO OTHERS FOR ANY PURPOSE OR USED FOR MANUFACTURING PURPOSES WITHOUT PERMISSION FROM AMPHENOL CANADA CORP.

UNLESS OTHERWISE SPECIFIED DIMENSIONS ARE IN MILLIMETERS TOLERANCES ARE:		APPROVALS		DATE		Amphenol Canada Corp.	
DECIMALS	ANGLES	DRAWN	H.SONG	AUG27/09	TITLE		
X.X ± 0.25	± 1°	DESIGNED	J.SI	FEB23/09	2XN SFP+ EXPRESSPORT™ COMBO WITH LIGHT PIPE (SPRING FINGER GASKET)		
MATERIAL AND FINISH	N/A	CHECKED	X	X	SIZE	A4	
REF.	X	QA APPD	X	X	DWG. NO.	P-U86-DX627-X0XX1	
CODE IDENT. NO.	03554	IE APPD	X	X	SCALE	1:1	
		DWG APPD			PROJECT		
					SHEET	1 OF 6	

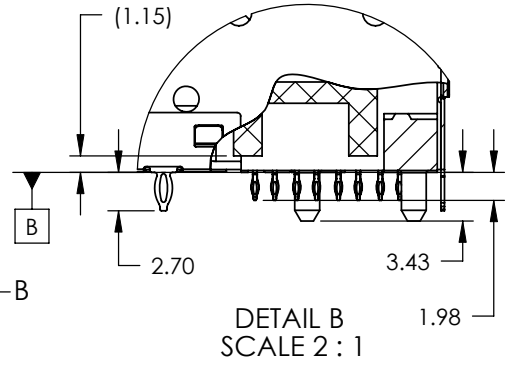
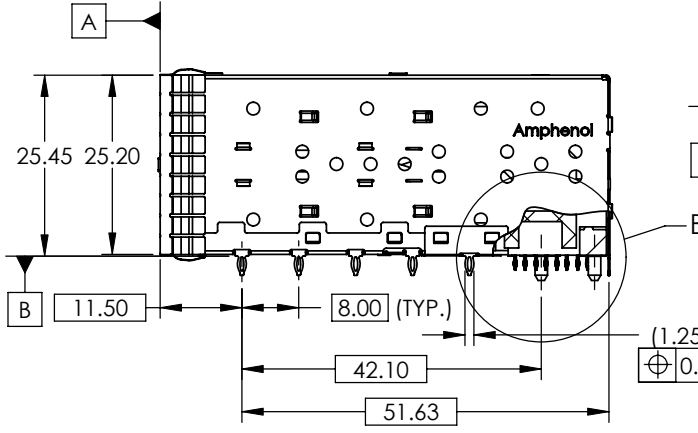
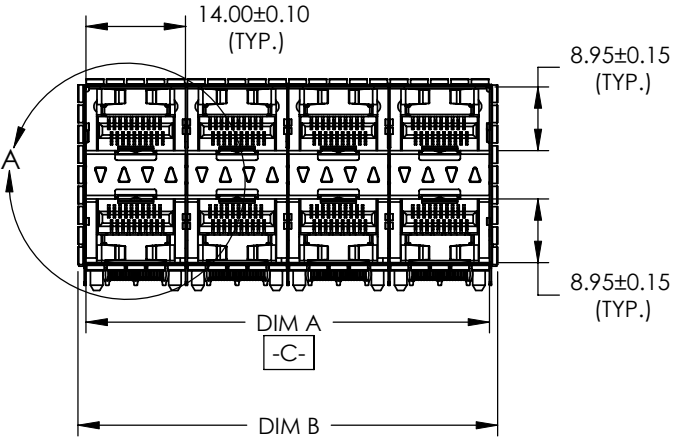
REVISIONS			
REV	DESCRIPTION	DATE	APPRD
D	PROPOSAL	FEB24/09	
E	PART NUMBER SYSTEM UPDATED	AUG27/09	



DETAIL A
SCALE 2 : 1



SFP COMBO	DIM A	DIM B	DIM C
2X2 SFP	28.25	30.50	30.25
2X4 SFP	56.75	59.00	58.75
2X6 SFP	85.25	87.50	87.25



⊕ 0.10 (M)	⊕ C (M)	A	B
------------	---------	---	---

UNLESS OTHERWISE SPECIFIED DIMENSIONS ARE IN MILLIMETERS TOLERANCES ARE:

DECIMALS	ANGLES
X.X ± 0.25	± 1°
X.XX ± 0.15	

MATERIAL AND FINISH: N/A

REF: X

CODE IDENT. NO.: 03554

APPROVALS		DATE
DRAWN	H.SONG	AUG27/09
DESIGNED	J.SI	FEB23/09
CHECKED	X	X
QA APPD	X	X
IE APPD	X	X
DWG APP'D		

Amphenol Canada Corp.

TITLE: 2XN SFP+ EXPRESSPORT™ COMBO WITH LIGHT PIPE (SPRING FINGER GASKET)

SIZE: A4 DWG. NO.: P-U86-DX627-X0XX1 REV: E

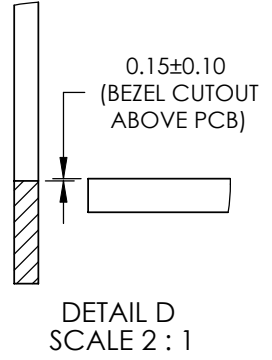
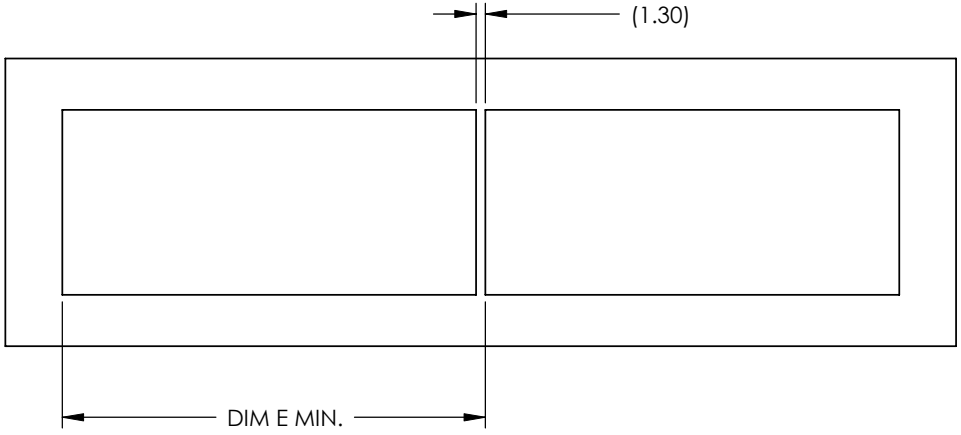
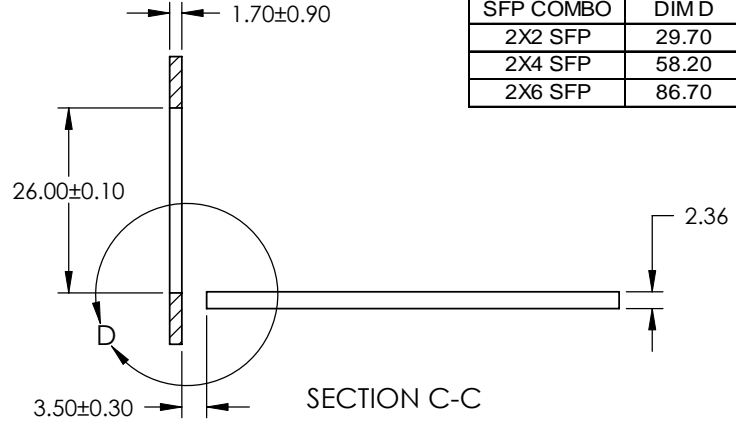
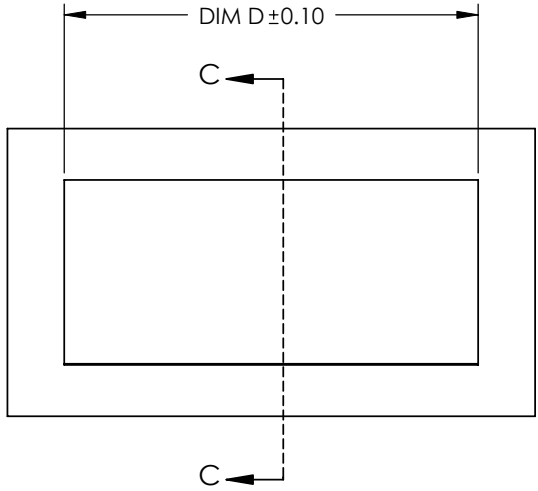
SCALE: 1:1 PROJECT SHEET: 2 OF 6

DO NOT SCALE DRAWING

THIS DOCUMENT CONTAINS PROPRIETARY INFORMATION AND SUCH INFORMATION MAY NOT BE DISCLOSED TO OTHERS FOR ANY PURPOSE OR USED FOR MANUFACTURING PURPOSES WITHOUT PERMISSION FROM AMPHENOL CANADA CORP.

REVISIONS			
REV	DESCRIPTION	DATE	APPRD
D	PROPOSAL	FEB24/09	
E	PART NUMBER SYSTEM UPDATED	AUG27/09	

SFP COMBO	DIM D	DIM E
2X2 SFP	29.70	31.00
2X4 SFP	58.20	59.50
2X6 SFP	86.70	88.00



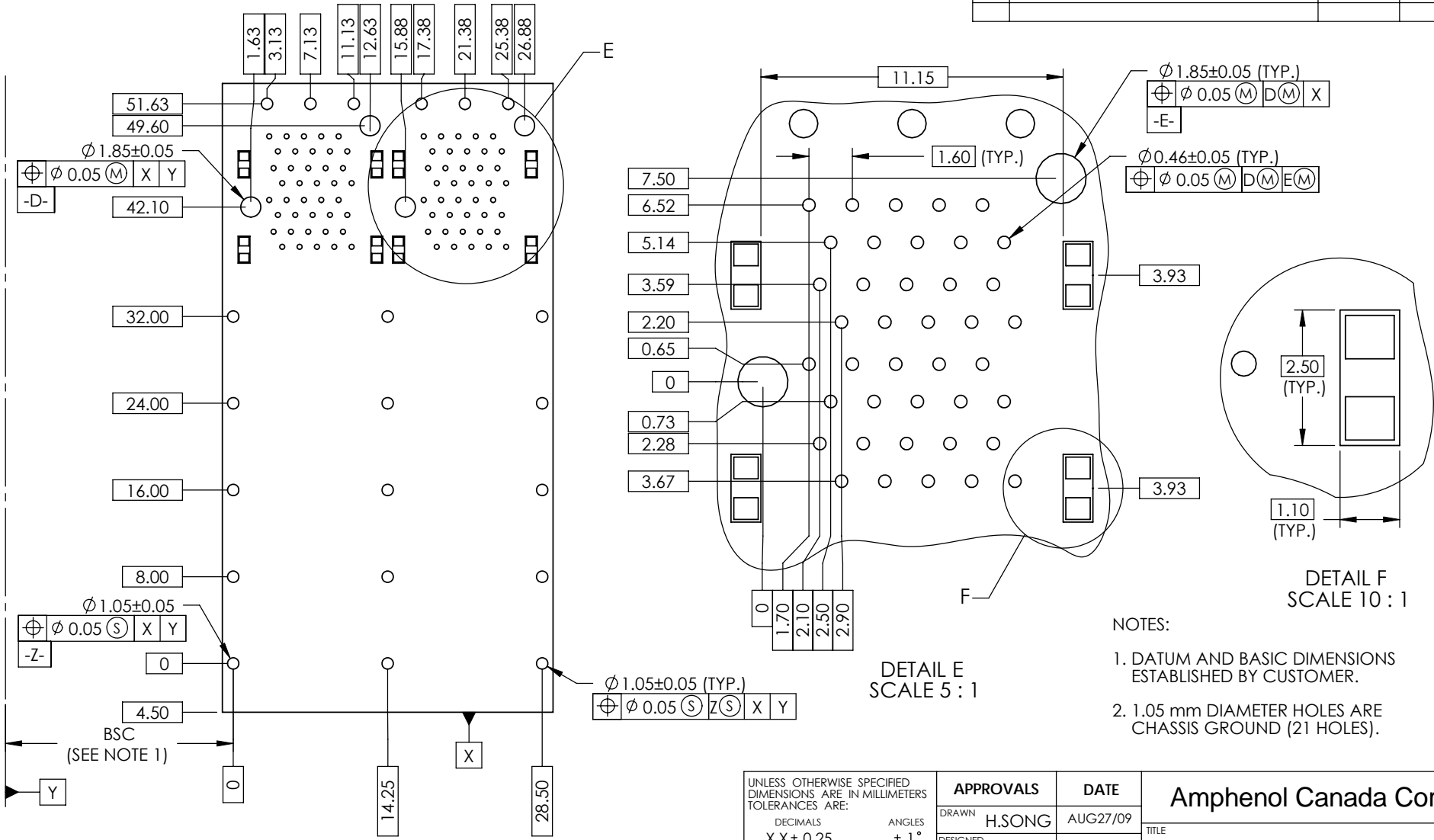
UNLESS OTHERWISE SPECIFIED DIMENSIONS ARE IN MILLIMETERS TOLERANCES ARE:	DECIMALS	ANGLES	APPROVALS		DATE
	X.X ± 0.25	± 1°	DRAWN	H.SONG	AUG27/09
	X.XX ± 0.15		DESIGNED	J.SI	FEB23/09
MATERIAL AND FINISH	N/A		CHECKED	X	X
REF.	X		QA APPD	X	X
CODE IDENT. NO.	03554		IE APP'D	X	X
			DWG APP'D		

Amphenol Canada Corp.			
TITLE			
2XN SFP+ EXPRESSPORT™ COMBO WITH LIGHT PIPE (SPRING FINGER GASKET)			
SIZE	DWG. NO.	REV.	
A4	P-U86-DX627-X0XX1	E	
SCALE	PROJECT	SHEET	
1:1		3 OF 6	

DO NOT SCALE DRAWING

THIS DOCUMENT CONTAINS PROPRIETARY INFORMATION AND SUCH INFORMATION MAY NOT BE DISCLOSED TO OTHERS FOR ANY PURPOSE OR USED FOR MANUFACTURING PURPOSES WITHOUT PERMISSION FROM AMPHENOL CANADA CORP.

REVISIONS			
REV	DESCRIPTION	DATE	APPRD
D	PROPOSAL	FEB24/09	
E	PART NUMBER SYSTEM UPDATED	AUG27/09	



- NOTES:
- DATUM AND BASIC DIMENSIONS ESTABLISHED BY CUSTOMER.
 - 1.05 mm DIAMETER HOLES ARE CHASSIS GROUND (21 HOLES).

DETAIL E
SCALE 5 : 1

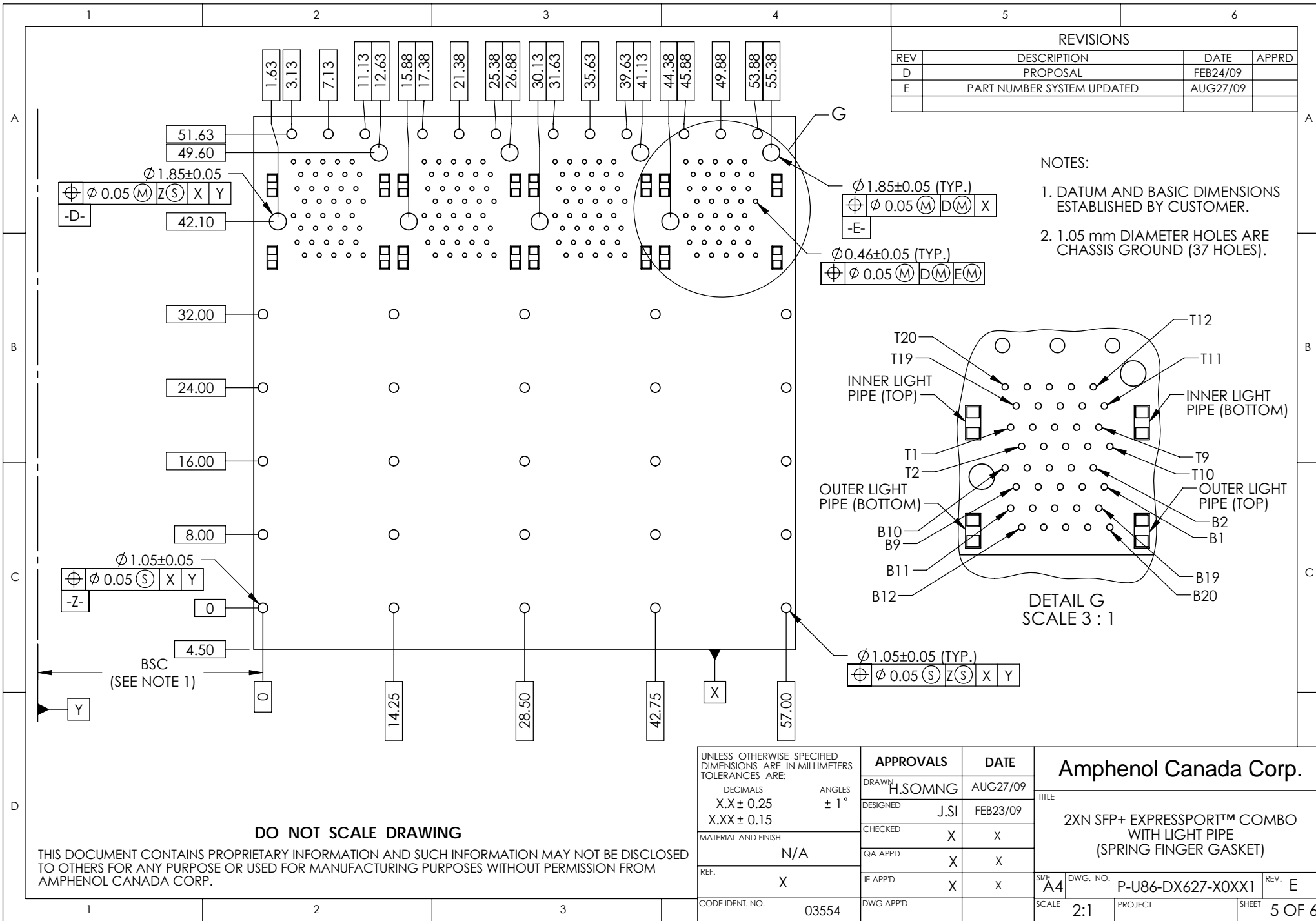
DETAIL F
SCALE 10 : 1

DO NOT SCALE DRAWING

THIS DOCUMENT CONTAINS PROPRIETARY INFORMATION AND SUCH INFORMATION MAY NOT BE DISCLOSED TO OTHERS FOR ANY PURPOSE OR USED FOR MANUFACTURING PURPOSES WITHOUT PERMISSION FROM AMPHENOL CANADA CORP.

UNLESS OTHERWISE SPECIFIED DIMENSIONS ARE IN MILLIMETERS TOLERANCES ARE: DECIMALS X.X ± 0.25 X.XX ± 0.15 ANGLES ± 1°	APPROVALS		DATE
	DRAWN H.SONG	AUG27/09	
MATERIAL AND FINISH N/A	DESIGNED J.SI	FEB23/09	
REF. X	CHECKED X	X	
CODE IDENT. NO. 03554	QA APPD X	X	
	IE APPD X	X	
	DWG APPD		

Amphenol Canada Corp.			
TITLE 2XN SFP+ EXPRESSPORT™ COMBO WITH LIGHT PIPE (SPRING FINGER GASKET)			
SIZE A4	DWG. NO. P-U86-DX627-X0XX1	REV. E	
SCALE 2:1	PROJECT	SHEET 4 OF 6	



UNLESS OTHERWISE SPECIFIED DIMENSIONS ARE IN MILLIMETERS TOLERANCES ARE:

DECIMALS	ANGLES
X.X ± 0.25	± 1°
X.XX ± 0.15	

MATERIAL AND FINISH: N/A

REF: X

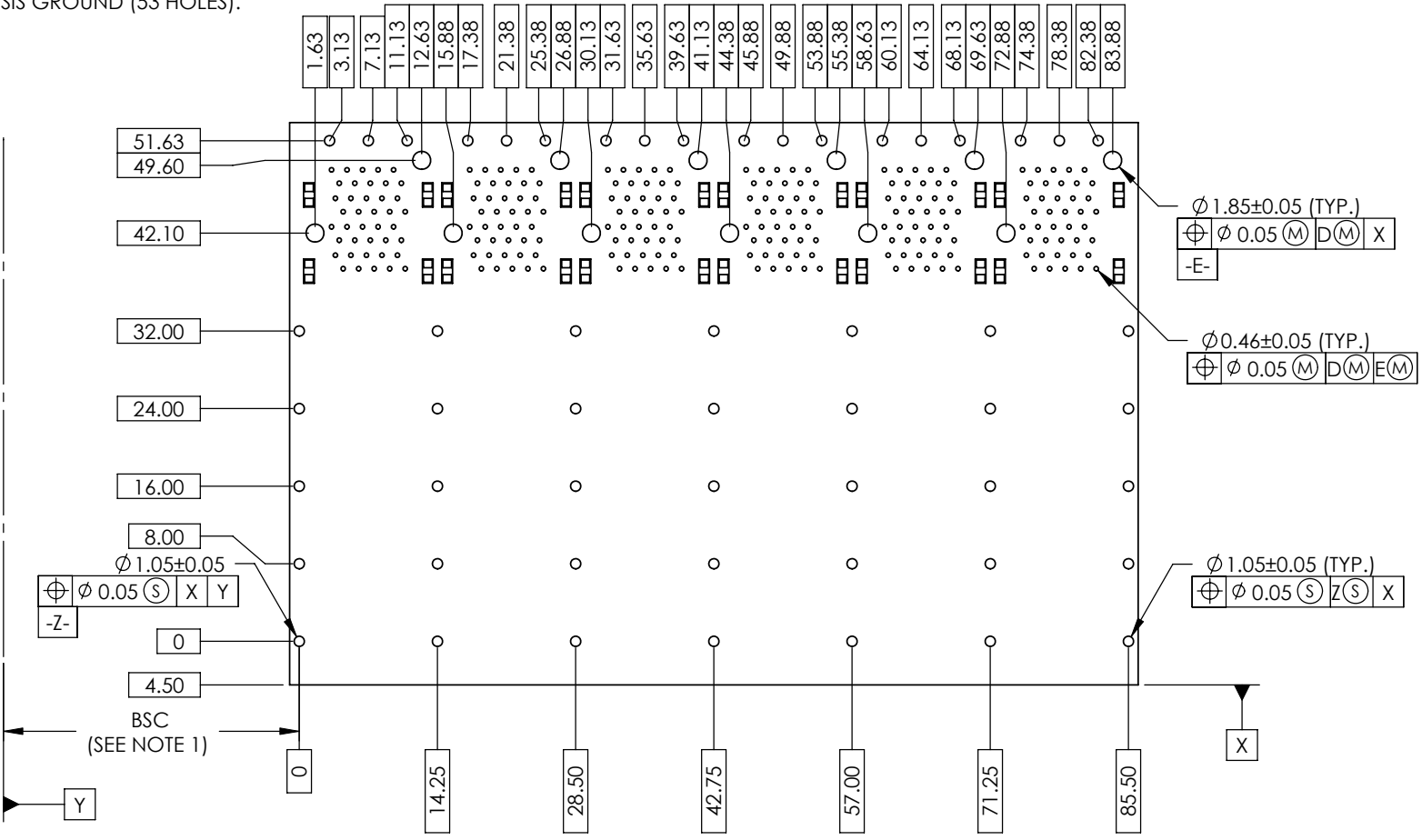
CODE IDENT. NO. 03554

APPROVALS		DATE
DRAWN	H.SOMNG	AUG27/09
DESIGNED	J.SI	FEB23/09
CHECKED	X	X
QA APPD	X	X
IE APPD	X	X
DWG APPD		

Amphenol Canada Corp.			
TITLE		2XN SFP+ EXPRESSPORT™ COMBO WITH LIGHT PIPE (SPRING FINGER GASKET)	
SIZE	DWG. NO.	REV.	
A4	P-U86-DX627-X0XX1	E	
SCALE	PROJECT	SHEET	
2:1		5 OF 6	

REVISIONS			
REV	DESCRIPTION	DATE	APPRD
D	PROPOSAL	FEB24/09	
E	PART NUMBER SYSTEM UPDATED	AUG27/09	

- NOTES:
- DATUM AND BASIC DIMENSIONS ESTABLISHED BY CUSTOMER.
 - 1.05 mm DIAMETER HOLES ARE CHASSIS GROUND (53 HOLES).



DO NOT SCALE DRAWING

THIS DOCUMENT CONTAINS PROPRIETARY INFORMATION AND SUCH INFORMATION MAY NOT BE DISCLOSED TO OTHERS FOR ANY PURPOSE OR USED FOR MANUFACTURING PURPOSES WITHOUT PERMISSION FROM AMPHENOL CANADA CORP.

UNLESS OTHERWISE SPECIFIED DIMENSIONS ARE IN MILLIMETERS TOLERANCES ARE: DECIMALS X.X ± 0.25 X.XX ± 0.15 MATERIAL AND FINISH N/A REF. X CODE IDENT. NO. 03554	APPROVALS		DATE
	DRAWN H.SONG	AUG27/09	
	DESIGNED J.SI	FEB23/09	
	CHECKED X	X	
	QA APPD X	X	
	IE APPD X	X	
	DWG APPD		

Amphenol Canada Corp.			
TITLE 2XN SFP+ EXPRESSPORT™ COMBO WITH LIGHT PIPE (SPRING FINGER GASKET)			
SIZE A4	DWG. NO. P-U86-DX627-X0XX1	REV. E	
SCALE 3:2	PROJECT	SHEET 6 OF 6	