

**PLEASE CHECK WWW.MOLEX.COM FOR LATEST PART INFORMATION**

**Part Number:** [0857190101](#)  
**Status:** **Active**  
**Overview:** [magnetic modular jacks](#)  
**Description:** HyperJack™ 1000 PoE+ PSE Integrated Connector Module, 2x6, With LEDs

**Documents:**

[3D Model](#) [RoHS Certificate of Compliance \(PDF\)](#)  
[Drawing \(PDF\)](#)

**General**

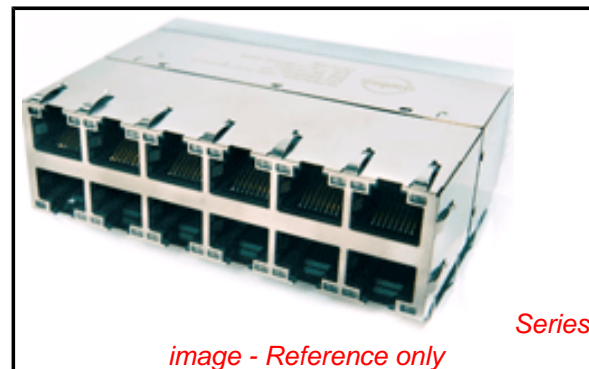
Product Family	Modular Jacks/Plugs
Series	<a href="#">85719</a>
Component Type	PCB Jack
Magnetic	Yes
More Detailed Tech Information	*For product specifications please contact your Molex sales representative
Overview	<a href="#">magnetic modular jacks</a>
Performance Category	5e
Power over Ethernet (PoE)	PoE+
Product Name	HyperJack™PoE

**Physical**

Boot Color	N/A
Color - Resin	Black
Durability (mating cycles max)	750
Inverted / Top Latch	Yes
Lightpipes/LEDs	LEDs
Material - Metal	Brass, Copper Alloy
Material - Plating Mating	Gold
Material - Plating Termination	Tin
Material - Resin	Thermoplastic Polyurethane
Orientation	Right Angle (Side Entry)
PCB Locator	Yes
PCB Retention	Yes
Packaging Type	Tray
Pitch - Mating Interface (in)	0.040 In
Pitch - Mating Interface (mm)	1.02 mm
Pitch - Term. Interface (in)	0.040 In
Pitch - Term. Interface (mm)	1.02 mm
Plating min: Mating (µin)	30
Plating min: Mating (µm)	0.76
Plating min: Termination (µin)	50.8
Plating min: Termination (µm)	1.27
Ports	12
Positions / Loaded Contacts	8/8
Surface Mount Compatible (SMC)	No
Temperature Range - Operating	0°C to +70°C
Termination Interface: Style	Through Hole
Waterproof / Dustproof	No
Wire/Cable Type	N/A

**Electrical**

Current - Maximum per Contact	1.5A
Grounding to PCB	Yes
Grounding to Panel	Yes
Shielded	Yes



**EU RoHS**

**ELV and RoHS Compliant**  
**REACH SVHC**  
 Not Reviewed  
**Halogen-Free Status**  
**Not Reviewed**

**China RoHS**



**Need more information on product environmental compliance?**

Email [productcompliance@molex.com](mailto:productcompliance@molex.com)  
 For a multiple part number RoHS Certificate of Compliance, [click here](#)

Please visit the [Contact Us](#) section for any non-product compliance questions.

**Search Parts in this Series**

[85719Series](#)

**Mates With**

Plugs according to IEC 60603-7

Voltage - Maximum

48V

**Material Info**

**Reference - Drawing Numbers**

Packaging Specification

PK-85719-135

Product Specification

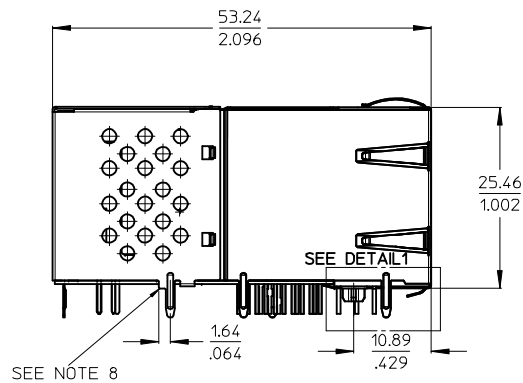
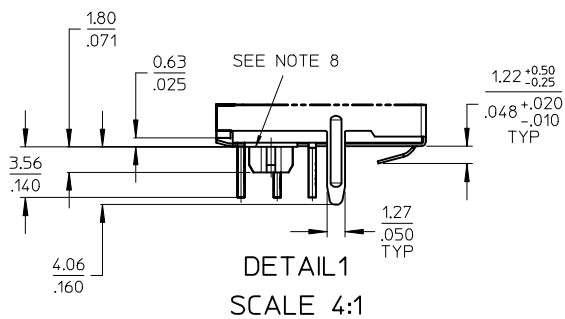
RPS-85719-001

Sales Drawing

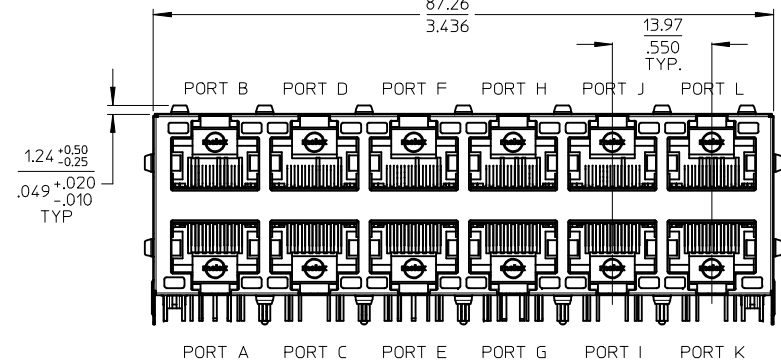
SD-85719-101

This document was generated on 06/08/2010

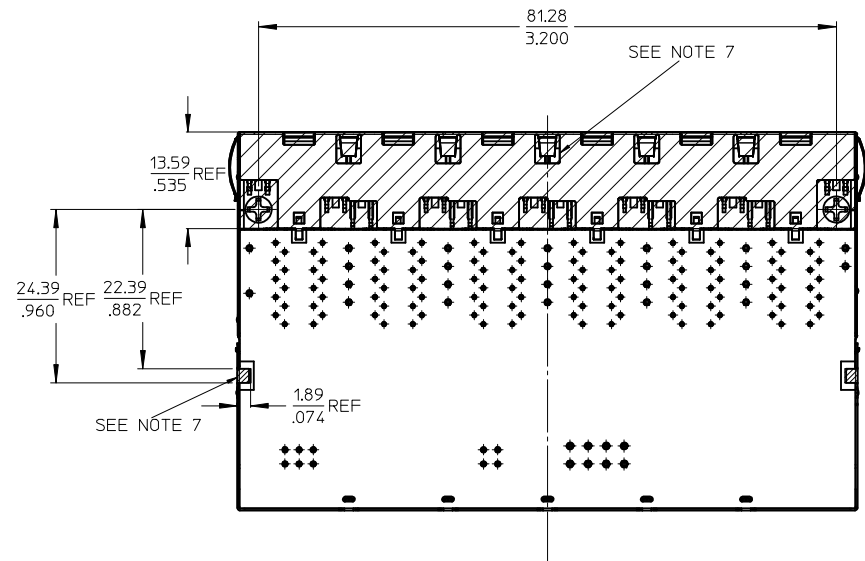
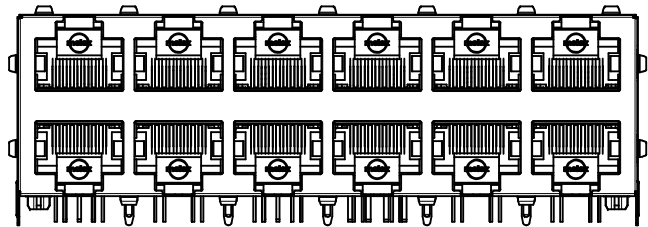
**PLEASE CHECK [WWW.MOLEX.COM](http://WWW.MOLEX.COM) FOR LATEST PART INFORMATION**



FRONT VIEW HYPERJACK 1000 POE+ ICM LED VERSION P/N 85719-0101



FRONT VIEW HYPERJACK 1000 POE+ ICM NON LED VERSION P/N 85719-0003



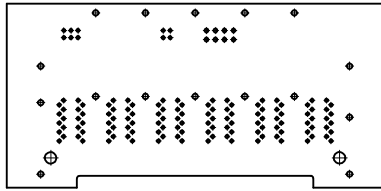
P / N	VERSION
85719-0101	LED VERSION
85719-0003	NON LED VERSION

NOTES:

- 1 - SHIELD MATERIAL: BRASS; PLATING: Ni PRE-PLATING
- 2 - PLASTIC MATERIAL: NAGASE-D-VALOX 420 SED BLACK, 30%GR, UL 94V-0\5V (PBT)
- 3 - TERMINALS MATERIAL: COPPER ALLOY  
RJ45 CONTACT PLATING: 0.764µm GOLD OVER 1.94µm Ni  
SOLDER TERMINALS: 34µm Sn
- 4 - JACK TO BE MATED WITH FCC 68.5 PLUGS / IEC 60603-7 PLUGS
- 5 - PRODUCT SPECIFICATION: PS-85719-001
- 6 - PACKAGING SPECIFICATION: PK-85719-101
- 7 - TRACES WITHOUT INSULATION NOT ALLOWED IN THE DASHED AREAS.  
(TO AVOID SHORTS TO SHIELD)
- 8 - STAND OFF TO SYSTEM BOARD

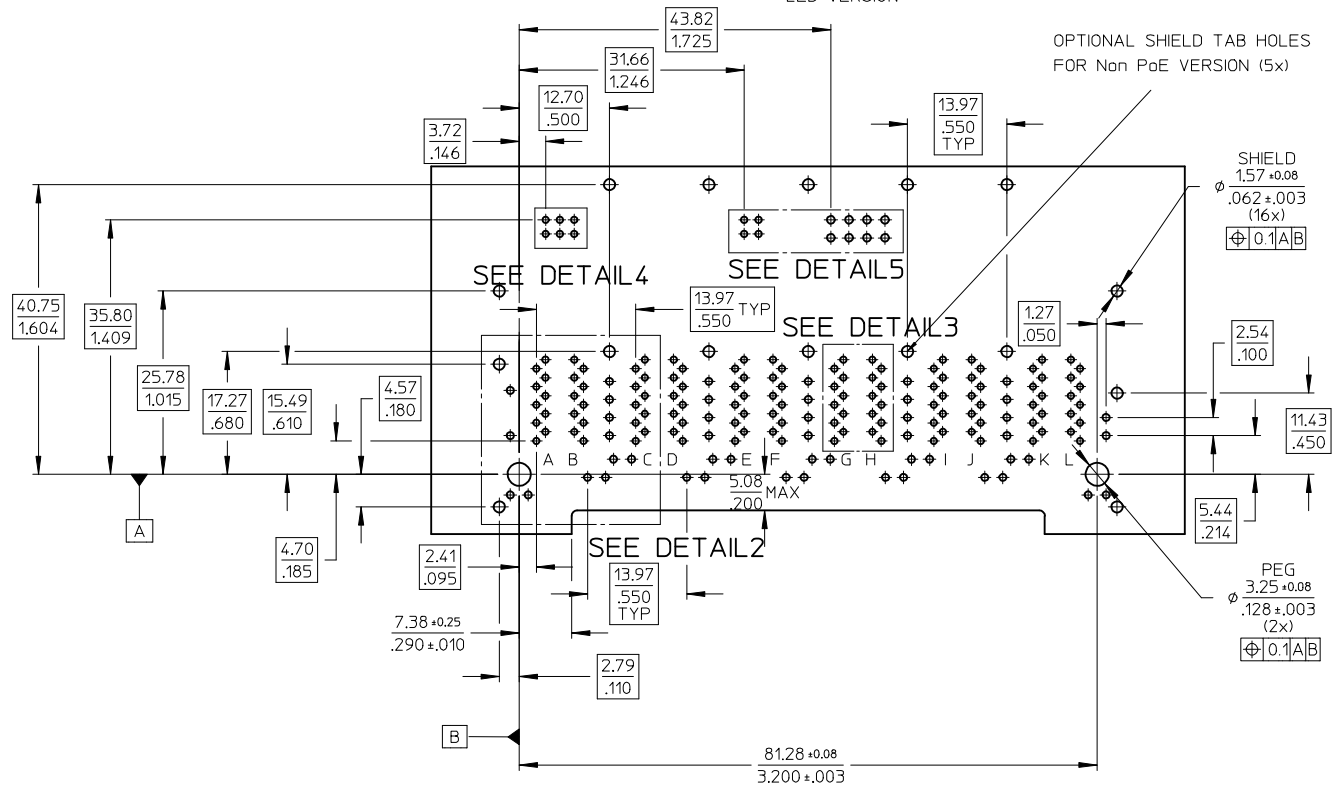
<b>ENTER DESCRIPTION</b> EC NO: MG2009-0084 DRWN: JBADER 2009/08/11 CHKD: MMANGARUDOV 2009/08/11 APPR: SSTEINKE 2009/08/20	<b>QUALITY SYMBOLS</b> ▽=0 ▽=0	<b>GENERAL TOLERANCES (UNLESS SPECIFIED)</b> <table border="1"> <thead> <tr> <th></th> <th>mm</th> <th>INCH</th> </tr> </thead> <tbody> <tr> <td>4 PLACES</td> <td>± .01</td> <td>± .001</td> </tr> <tr> <td>3 PLACES</td> <td>± .02</td> <td>± .002</td> </tr> <tr> <td>2 PLACES</td> <td>± .05</td> <td>± .005</td> </tr> <tr> <td>1 PLACE</td> <td>± .10</td> <td>± .010</td> </tr> </tbody> </table> ANGULAR ± 1°		mm	INCH	4 PLACES	± .01	± .001	3 PLACES	± .02	± .002	2 PLACES	± .05	± .005	1 PLACE	± .10	± .010	<b>DIMENSION STYLE</b> MM/IN	<b>SCALE</b> 2:1	<b>DESIGN UNITS</b> METRIC	THIRD ANGLE PROJECTION
				mm	INCH																
4 PLACES	± .01	± .001																			
3 PLACES	± .02	± .002																			
2 PLACES	± .05	± .005																			
1 PLACE	± .10	± .010																			
<b>DESCRIPTION</b> 1	DRAWN BY: JBADER DATE: 2009/03/11 CHECKED BY: MMANGARUDOV DATE: 2009/03/11 APPROVED BY: SSTEINKE DATE: 2009/03/11 MATERIAL NO.	TITLE: HYPERJACK 1000 POE+ INTEGRATED CONNECTOR MODULE 2X6 MOLEX INCORPORATED DOCUMENT NO. SD-85719-101	SHEET NO. 1 OF 3																		
DRAFT WHERE APPLICABLE MUST REMAIN WITHIN DIMENSIONS		SEE BOM		THIS DRAWING CONTAINS INFORMATION THAT IS PROPRIETARY TO MOLEX INCORPORATED AND SHOULD NOT BE USED WITHOUT WRITTEN PERMISSION																	

FOOT PRINT OUT FOR NON LED VERSION (85719-0003)  
MISSING DIMENSIONS SEE LED VERSION



SCALE 1:1

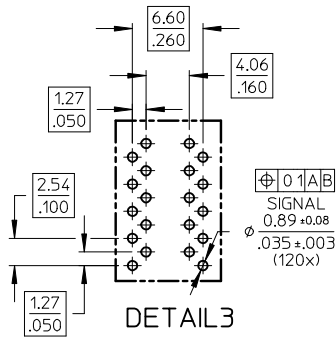
FOOT PRINT OUT FOR  
LED VERSION



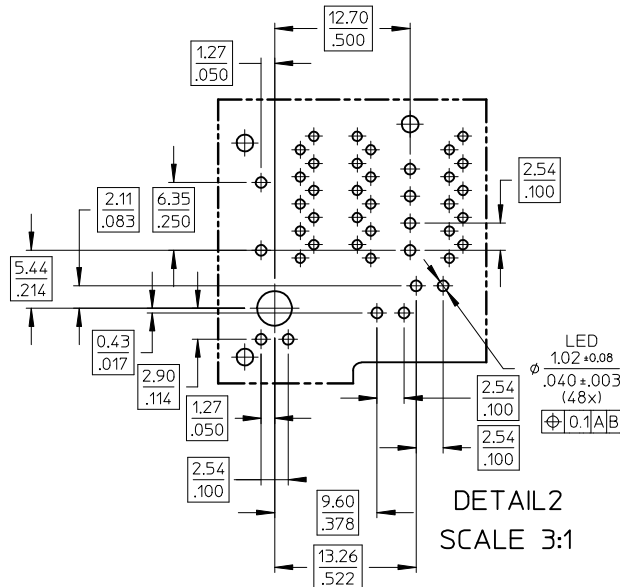
OPTIONAL SHIELD TAB HOLES  
FOR Non PoE VERSION (5x)

SHIELD  
1.57 ±0.08  
∅ .062 ±0.003 (16x)  
∅ 0.1[A]B

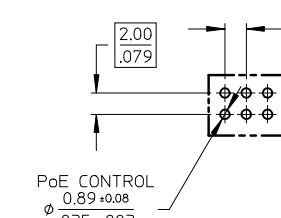
PEG  
3.25 ±0.08  
∅ .128 ±0.003 (2x)  
∅ 0.1[A]B



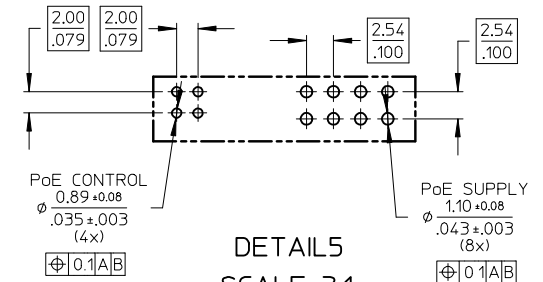
DETAIL3  
SCALE 3:1



DETAIL2  
SCALE 3:1



DETAIL4  
SCALE 3:1



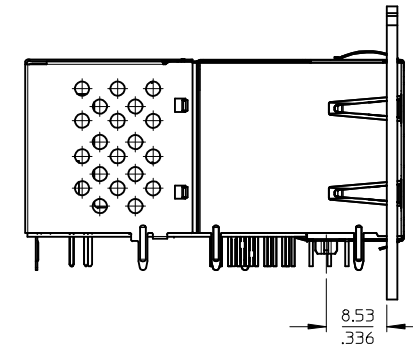
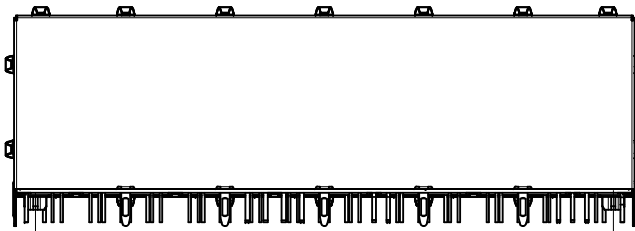
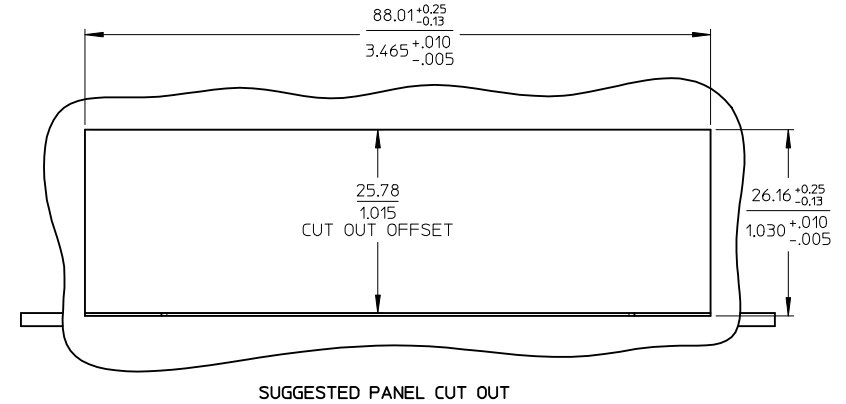
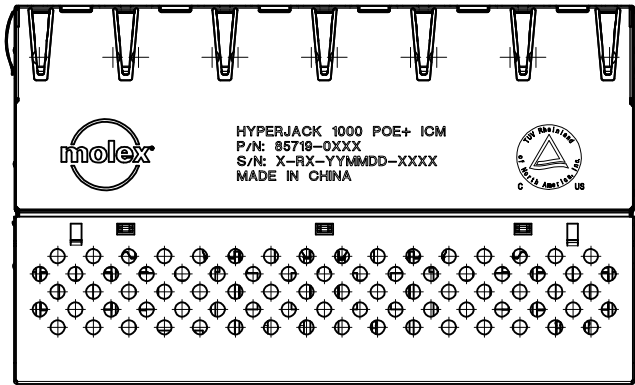
DETAIL5  
SCALE 3:1

ENTER DESCRIPTION EC NO: M2009-0084 DRWN: JBADER 2009/08/11 CHKD: MMANGARUDOV 2009/08/11 APPR: SSTEINKE 2009/08/20	QUALITY SYMBOLS ▽=0 ▽=0	GENERAL TOLERANCES (UNLESS SPECIFIED)		DIMENSION STYLE MM/IN	SCALE 2:1	DESIGN UNITS METRIC	THIRD ANGLE PROJECTION
		4 PLACES ± --- ± ---	3 PLACES ± --- ± .01	2 PLACES ± 0.25 ± .02	1 PLACE ± 0.5 ± ---	ANGULAR ± 1 °	DRAWN BY JBADER 2009/03/11
1	DESCRIPTION	DRAFT WHERE APPLICABLE MUST REMAIN WITHIN DIMENSIONS		SEE SHEET 1	MATERIAL NO.	DOCUMENT NO.	SHEET NO. 2 OF 3

PRINTING  
LED VERSION  
HYPERJACK 1000 POE+ ICM  
P/N: 85719-0101  
S/N: X-RX-YYMMDD-XXXX  
MADE IN CHINA

PRINTING  
NON LED VERSION  
HYPERJACK 1000 POE+ ICM  
P/N: 85719-0003  
S/N: X-RX-YYMMDD-XXXX  
MADE IN CHINA

PRINTING



- NOTES:
- 1 - PRINTING MARKED BY LASER
  - 2 - INSCRIPTION:
    - 1st LINE: PART NAME
    - 2nd LINE: PART NUMBER
    - 3rd LINE: SERIES NUMBER -> MANUFACTURER ID - CONNECTOR REVISION - DATE CODE (YEAR, MONTH, DAY) - CONSECUTIVE NUMBER
    - 4th LINE: COUNTRY OF ORIGIN
  - 3 - TUV LOGO

ENTER DESCRIPTION EC NO: MG2009-0084 DRWN: JBADER 2009/08/11 CHKD: MMANGARUDOV 2009/08/11 APPR: SSTE INKE 2009/08/20	QUALITY SYMBOLS ▽=0 ▽=0	GENERAL TOLERANCES (UNLESS SPECIFIED)		DIMENSION STYLE MM/IN		SCALE 2:1	DESIGN UNITS METRIC	THIRD ANGLE PROJECTION	
		4 PLACES ± .01	± .01	3 PLACES ± .01	± .01	2 PLACES ± 0.25	± .02	1 PLACE ± 0.5	± .05
1	DESCRIPTION	DRAFT WHERE APPLICABLE MUST REMAIN WITHIN DIMENSIONS		SEE SHEET 1		TITLE HYPERJACK 1000 POE+ INTEGRATED CONNECTOR MODULE 2X6		MATERIAL NO. SD-85719-101	
				DRAWN BY JBADER		DATE 2009/03/11	DOCUMENT NO.		
				CHECKED BY MMANGARUDOV		DATE 2009/03/11	SHEET NO. 3 OF 3		
				APPROVED BY SSTE INKE		DATE 2009/03/11	MATERIAL NO. SD-85719-101		
				MATERIAL NO. SD-85719-101		MATERIAL NO. SD-85719-101		MATERIAL NO. SD-85719-101	
				SIZE A2		THIS DRAWING CONTAINS INFORMATION THAT IS PROPRIETARY TO MOLEX INCORPORATED AND SHOULD NOT BE USED WITHOUT WRITTEN PERMISSION			