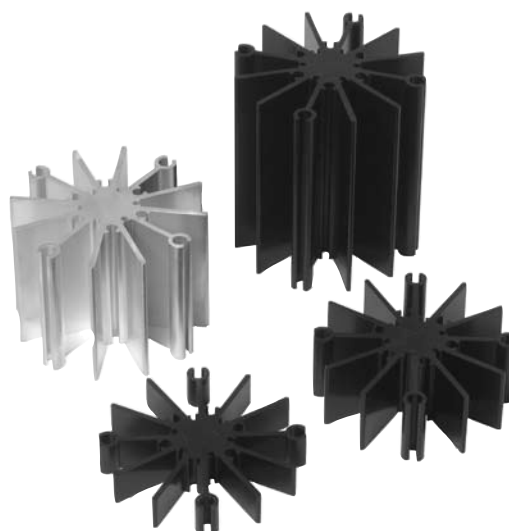


S Series

LED Heatsinks

Ohmite S Series LED Heatsinks are low cost and easy assembly heat sinks for “Star” LED packages supplied by Cree, Lumileds, Osram and others. This simple heat sink can hold LED modules and can be mounted simply with some thread forming screws. The heat sink has two types of surface finish and can be used in either natural (free) or forced convection cooling applications.



SERIES SPECIFICATIONS

| Heatsink Part Number | Height (in/mm) | Surface area (in ² /mm ²) | Weight (oz/g) | Thermal resistance (°C/W) | |
|----------------------|----------------|--|---------------|---------------------------|--------------|
| | | | | Free conv. | Forced conv. |
| SV-LED-113E | 0.50 / 12.7 | 18 / 11,739 | 0.077 / 35 | 6.67 | 4.33 |
| SA-LED-113E | | | | 5.33 | 4.33 |
| SV-LED-125E | 1.00 / 25.4 | 36 / 23,478 | 0.154 / 70 | 5.33 | 2.88 |
| SA-LED-125E | | | | 4.27 | 2.88 |
| SV-LED-151E | 2.00 / 50.8 | 72 / 46,956 | 0.308 / 140 | 4.00 | 1.89 |
| SA-LED-151E | | | | 3.20 | 1.89 |
| SV-LED-176E | 3.00 / 76.2 | 108 / 70,434 | 0.462 / 210 | 3.11 | 1.55 |
| SA-LED-176E | | | | 2.49 | 1.55 |

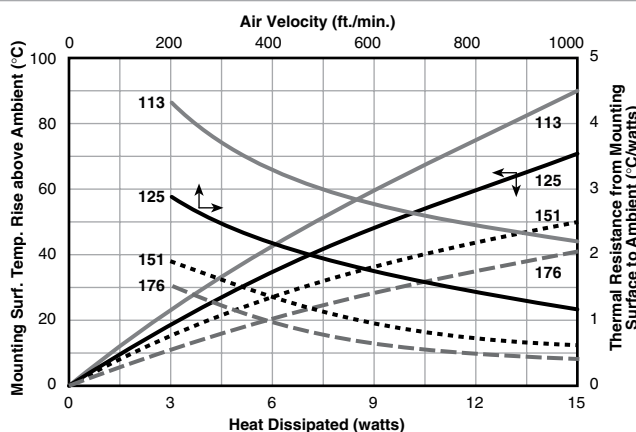
CHARACTERISTICS

Heat Sink Aluminum Alloy 6063-T5 or Equivalent with either degressed or black anodized finish.

Mounting Hardware 1/4, #10, and #4 thread forming SS screws are preferred

Compliance Either degressed or black anodized finished parts are RoHS compliant.

Heat Dissipation



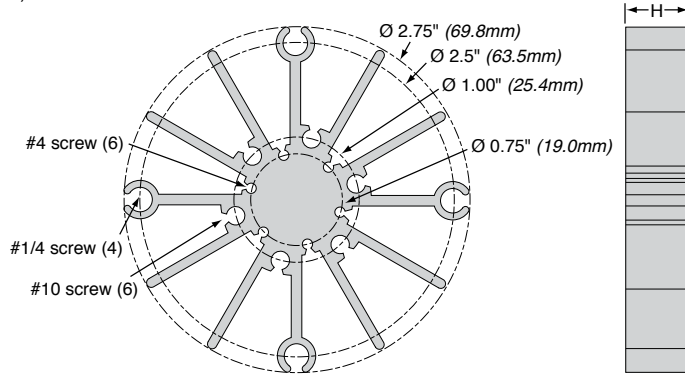
(continued)

S Series

LED Heatsinks

DIMENSIONS

(in./mm)



| Part Number | Height H (in/mm) | Surface area (in ² /mm ²) | Weight (oz/g) |
|----------------------------|------------------|--|---------------|
| SV-LED-113E SA-LED-113E | 0.50 / 12.7 | 18 / 11,739 | 0.077 / 35 |
| SV-LED-125E SA-LED-125E | 1.00 / 25.4 | 36 / 23,478 | 0.154 / 70 |
| SV-LED-151E SA-LED-151E | 2.00 / 50.8 | 72 / 46,956 | 0.308 / 140 |
| SV-LED-176E SA-LED-176E | 3.00 / 76.2 | 108 / 70,434 | 0.462 / 210 |

ORDERING INFORMATION

RoHS Compliant

S V - L E D - 1 1 3 E

Series Coating Height

A = black anodized
V = degreased

Standard part numbers

| Part Number | Description | Packaging |
|-------------|-------------------------------|-----------|
| SV-LED-113E | 12.7mm, no finish (degreased) | Bulk |
| SA-LED-113E | Black Anodized, 12.7mm | Bulk |
| SV-LED-125E | 25.4mm, no finish (degreased) | Bulk |
| SA-LED-125E | Black Anodized, 25.4mm | Bulk |
| SV-LED-151E | 50.8mm, no finish (degreased) | Bulk |
| SA-LED-151E | Black Anodized, 50.8mm | Bulk |
| SV-LED-176E | 76.2mm, no finish (degreased) | Bulk |
| SA-LED-176E | Black Anodized, 76.2mm | Bulk |