

PLEASE CHECK WWW.MOLEX.COM FOR LATEST PART INFORMATION

Part Number: [0945100103](#)
Status: **Active**
Description: Fork Terminal for 0.35-0.50mm² (20-22 AWG) wire

Documents:

[Drawing \(PDF\)](#) [RoHS Certificate of Compliance \(PDF\)](#)
[Product Specification PS-94509-002 \(PDF\)](#)

General

Product Family Crimp Terminals
 Series [94510](#)
 Crimp Quality Equipment Yes
 Product Name Fork Terminal

Physical

Durability (mating cycles max) 20
 Gender Female
 Material - Metal Phosphor Bronze
 Material - Plating Mating Tin
 Material - Plating Termination Tin
 Packaging Type Reel
 Plating min: Mating (µin) 120.00
 Plating min: Mating (µm) 3.000
 Plating min: Termination (µin) 120.00
 Plating min: Termination (µm) 3.00
 Termination Interface: Style Crimp or Compression
 Wire Insulation Diameter 1.70mm
 Wire Size AWG 20, 22
 Wire Size mm² 0.35 - 0.50

Electrical

Current - Maximum per Contact 6A
 Voltage - Maximum 50V

Material Info

Reference - Drawing Numbers

Product Specification PS-94509-002
 Sales Drawing SD-94510-0X03

EU RoHS

**ELV and RoHS
 Compliant**
**REACH SVHC
 Contains SVHC: No**
**Halogen-Free
 Status**
Halogen-Free

China RoHS



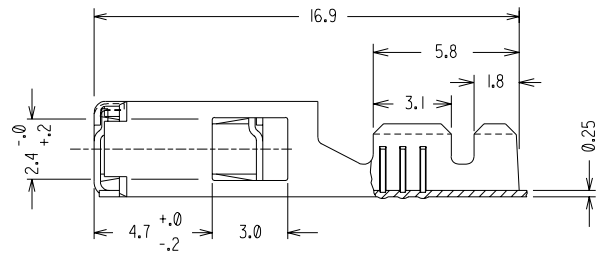
**Need more information on product
 environmental compliance?**

Email productcompliance@molex.com
 For a multiple part number RoHS Certificate of
 Compliance, [click here](#)

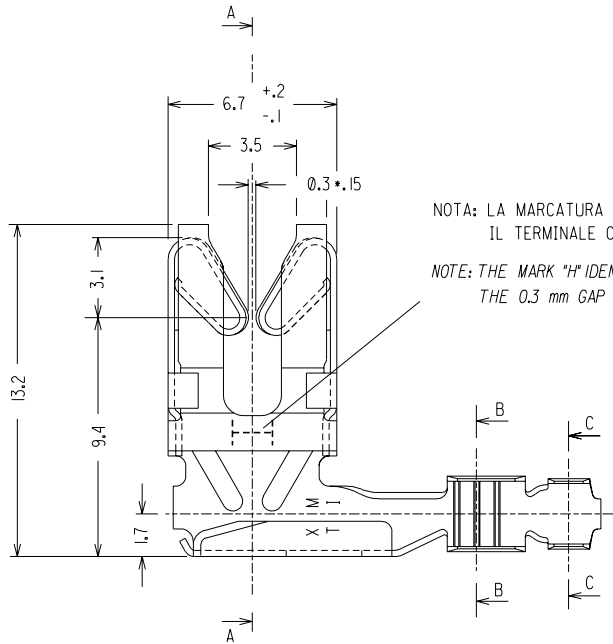
Please visit the [Contact Us](#) section for any
 non-product compliance questions.

Search Parts in this Series

[94510Series](#)

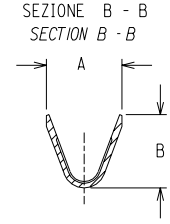


CODICE P/N	SEZ. CAVO WIRE SIZE	Ø ISOLANTE INS. RANGE	A	B	C	D
94510-0103	0.35 - 0.50	1.70 MAX	1.9	2.2	2.7	2.7
94510-0203	0.75 - 1.00	2.10 MAX	3.0	2.9	2.8	2.9

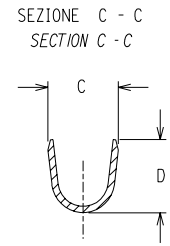


NOTA: LA MARCATURA "H" IDENTIFICA IL TERMINALE CON GAP Ø.3
 NOTE: THE MARK "H" IDENTIFIES THE 0.3 mm GAP TERMINAL

LATO MARCATURA
 MARKING SIDE



SEZIONE A - A
 SECTION A - A



MATERIALE: BRONZO FOSFOROSO
 MATERIAL: PHOSPHOR BRONZE
 FINITURA: PRESTAGNATO
 PLATING: PRE-TINNED

SENSO DI SVOLGIMENTO DALLA BOBINA
 DEREEING DIRECTION

PASSO TRA CONTATTI ADIACENTI: 21.3 mm
 PITCH BETWEEN ADJACENT TERMINALS: 21.3 mm

(N.° PEZZI PER BOBINA: 2700)
 (N. OF TERMINALS PER REEL: 2700)

ECN Z2-195 20-11-92 NEW RELEASE	REVISIONS	DIMENSIONS SHOWN (METRIC) INCH	DRWG BY	REVISE ONLY ON CAD SYSTEM		SH.	REV.
		UNLESS OTHERWISE SPECIFIED TOLERANCES: ANGULAR ±3°	Barbieri	CAD/CAM FILENAME	THIS DRAWING CONTAINS INFORMATION THAT IS PROPRIETARY TO MOLEX INC AND SHOULD NOT BE USED WITHOUT WRITTEN PERMISSION		
		INCH (METRIC)	CHK'D BY	9451015S	TITLE		
		3 PLACE ±			CONTATTO A FORCELLA A 90° - SPESSORE NOM. DEL MASCHIO: 0.8 mm - R/A FORK TERMINAL - TAB SIZE: 0.8 mm -		
		2 PLACE ±		APP'D BY	MOLEX INCORPORATED		SHEET NO. DATE
		1 PLACE	± 0.2	Previato	1/1 05-05-90		
				SCALE	PART NO. VEDI TABELLA SEE TABLE		DWG NO. 94510 - 0X03 SD
A	LTR	DESIGN DIMENSION (PRIMARY)	□ (MM) □ IN	5:1	SIZE		B
		EQUIVALENT DIMENSION (SECONDARY)	□ (MM) □ IN.				