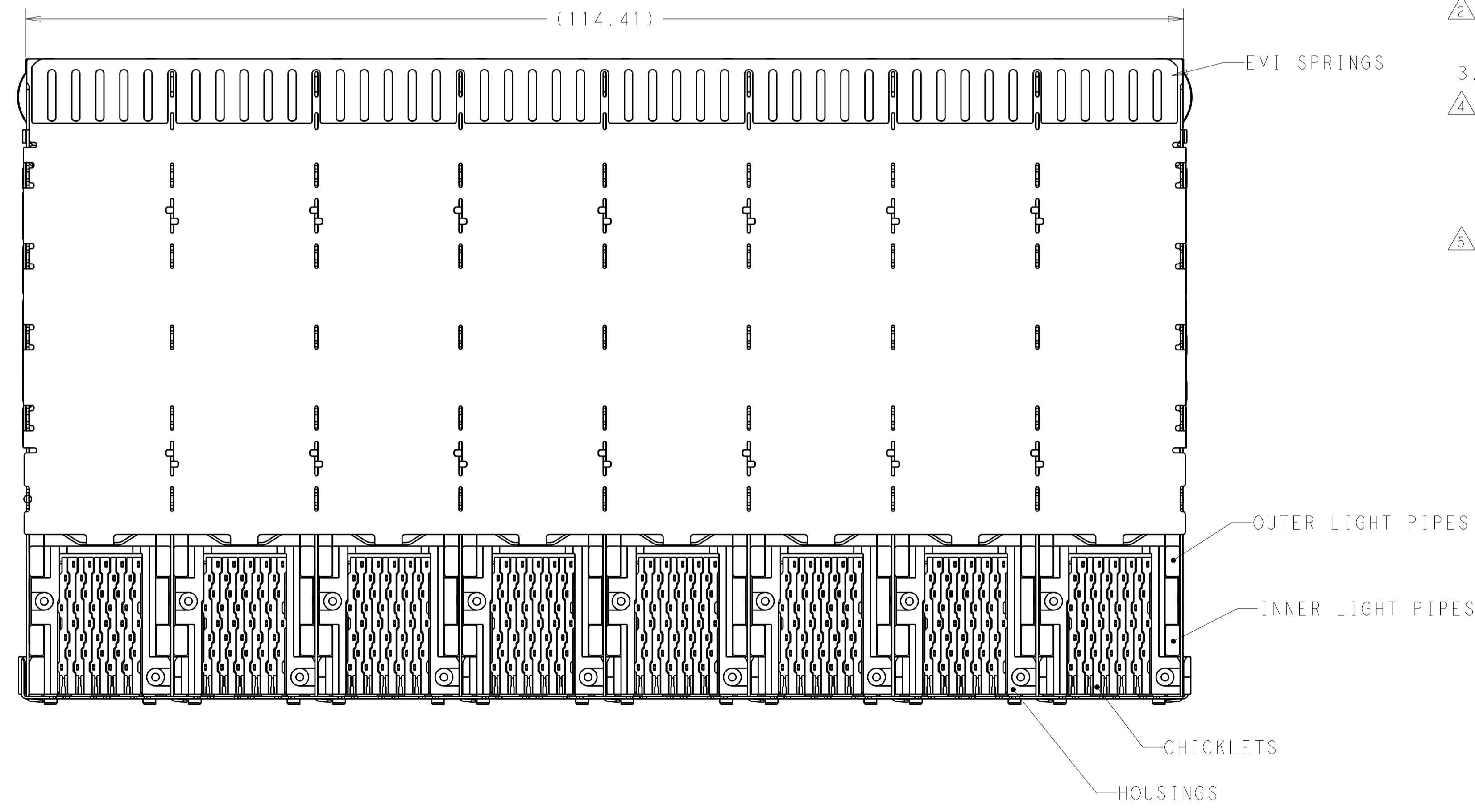
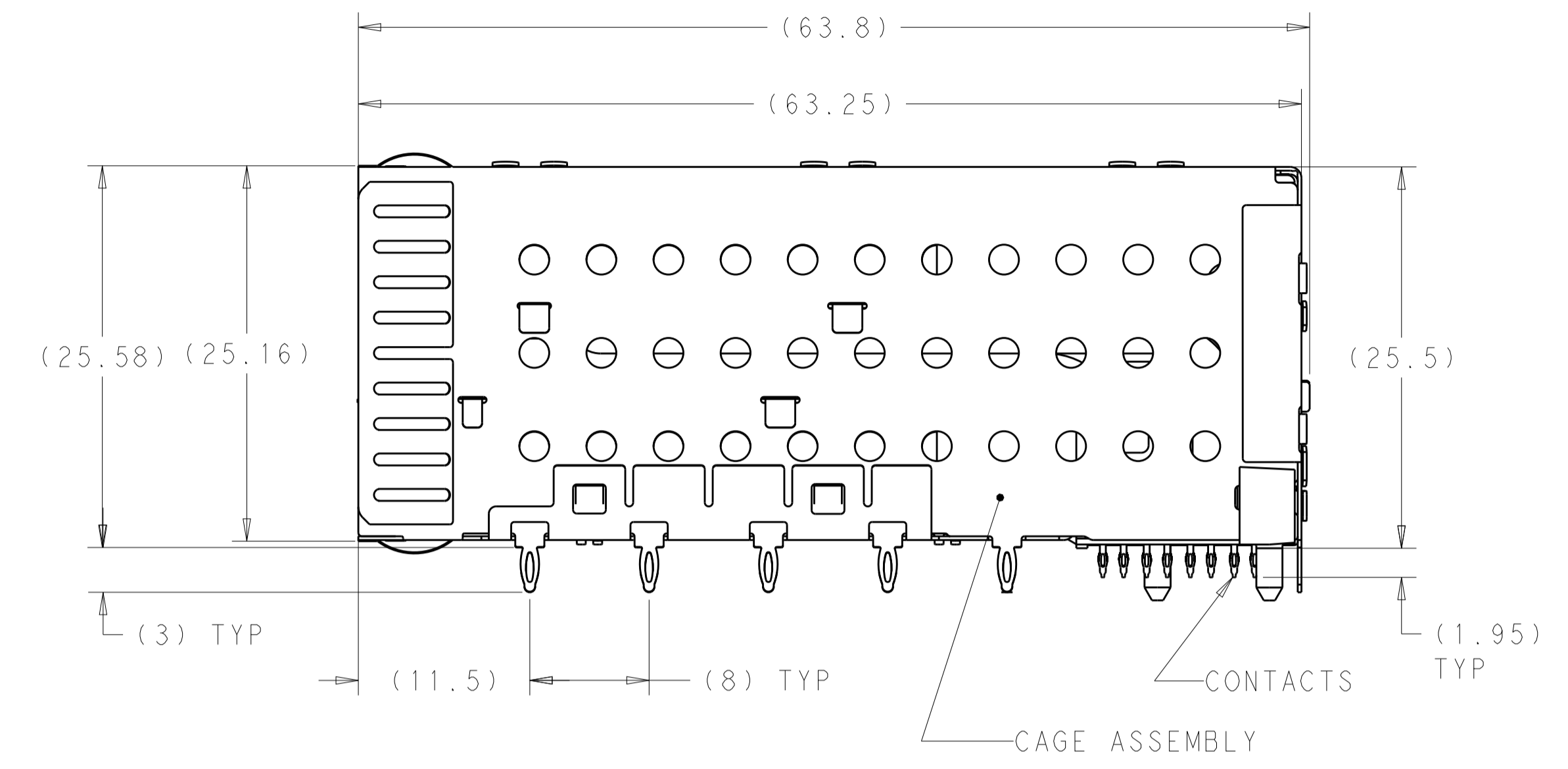
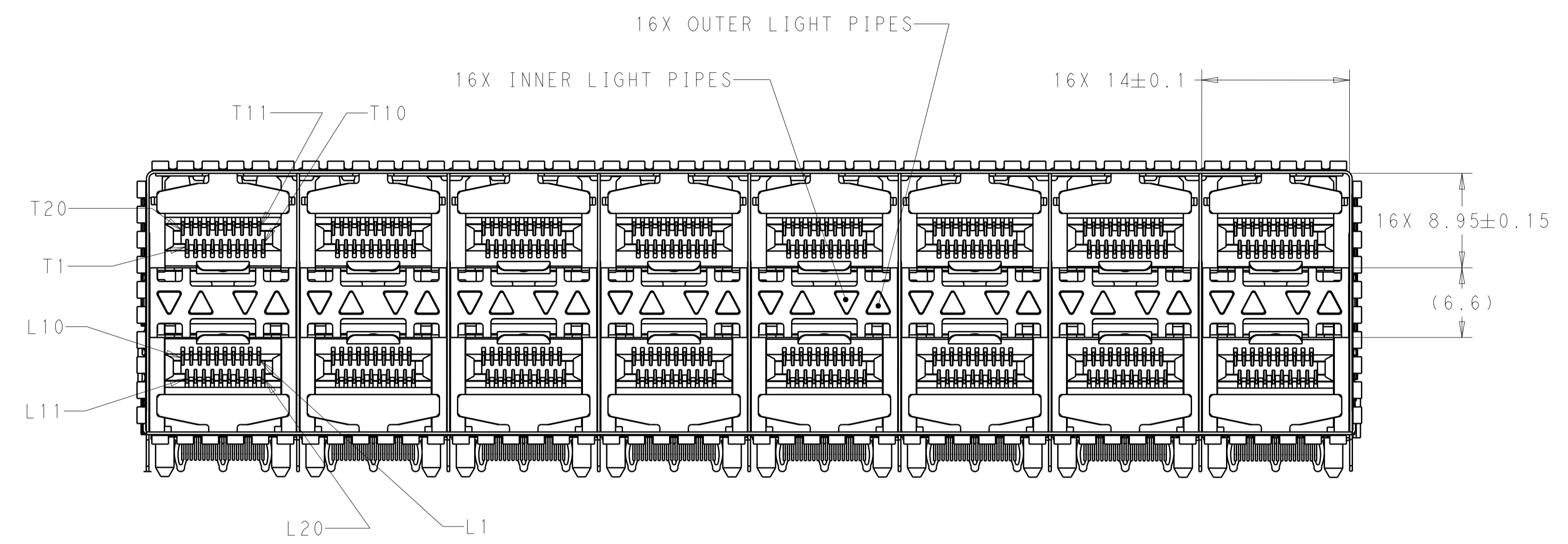


| LOC | DIST | REVISIONS |     |                           |           |     |      |
|-----|------|-----------|-----|---------------------------|-----------|-----|------|
| GP  | 00   | P         | LTN | DESCRIPTION               | DATE      | DWN | APVD |
|     |      | B         |     | REVISED PER ECO-15-017919 | 04APR2016 | AP  | RP   |



- ⚠ MATERIALS:  
 CAGE ASSEMBLY- NICKEL SILVER ALLOY PER ASTM B 122.  
 EMI SPRINGS- COPPER ALLOY.  
 HOUSING- BLACK LCP, UL 94V-0 RATED.  
 CHICKLET- BLACK LCP, UL 94V-0 RATED.  
 LIGHT PIPE- POLYCARBONATE, CLEAR.  
 CONTACT- COPPER ALLOY.
- ⚠ DATUM AND BASIC DIMENSIONS ESTABLISHED BY CUSTOMER.
- 3. MINIMUM PCB THICKNESS OF 1.5.
- ⚠ CONTACT FINISH- CONFORMS TO THE REQUIREMENTS OF TYCO ELECTRONICS PRODUCT SPECIFICATION 108-2331, BASED ON EIA/ECA-364-1000.01A, (CONTROLLED ENVIRONMENT APPLICATIONS) ON MATING INTERFACE, TIN-LEAD ON NEEDLE EYE.
- ⚠ CONTACT FINISH- CONFORMS TO THE REQUIREMENTS OF TYCO ELECTRONICS PRODUCT SPECIFICATION 108-2331, BASED ON EIA/ECA-364-1000.01A, (CONTROLLED ENVIRONMENT APPLICATIONS) ON MATING INTERFACE, TIN ON NEEDLE EYE.
- ⚠ FOR HOLE SIZE AND PLATINGS, SEE APPLICATION SPEC 114-13219.
- ⚠ THE ENTIRE AREA OF THE CONNECTOR FOOTPRINT, INDICATED BY THE DASHE LINE, TO BE CONSIDERED THE KEEPCUT AREA FOR COMPONENTS AND SIGNAL TRACES, TOP SIDE ONLY. TOP SIDE TRACES ALLOWED WITHIN CONNECTOR HOLE PATTERN.
- ⚠ LIGHT PIPE PAD LAYOUT IS FOR 0805 LOW PROFILE LED PACKAGE WITH A HEIGHT OF 0.8mm.
- ⚠ EMI SPRING FINISH: 0.8µm MINIMUM MATTE TIN OVER 0.8µm MINIMUM NICKEL, NONPLATED EDGES PERMISSIBLE.
- ⚠ ADDITIONAL COMPONENT LOCATED WITHIN LATCH PLATE FOR EMI SUPPRESSION.

| YES | NO | ENHANCED EMI | FINISH | DESCRIPTION         | PART NUMBER |
|-----|----|--------------|--------|---------------------|-------------|
| YES |    |              |        | NO LIGHT PIPES      | 1-2149490-8 |
|     |    |              |        | OUTER 2 LIGHT PIPES | 1-2149490-7 |
|     |    |              |        | INNER 2 LIGHT PIPES | 1-2149490-6 |
|     |    |              |        | 4 LIGHT PIPES       | 1-2149490-5 |
|     |    |              |        | NO LIGHT PIPES      | 2149490-8   |
|     |    |              |        | OUTER 2 LIGHT PIPES | 2149490-7   |
|     |    |              |        | INNER 2 LIGHT PIPES | 2149490-6   |
|     |    |              |        | 4 LIGHT PIPES       | 2149490-5   |
|     |    |              |        | NO LIGHT PIPES      | 2149490-4   |
|     |    |              |        | OUTER 2 LIGHT PIPES | 2149490-3   |
|     |    |              |        | INNER 2 LIGHT PIPES | 2149490-2   |
|     |    |              |        | 4 LIGHT PIPES       | 2149490-1   |

THIS DRAWING IS A CONTROLLED DOCUMENT. DIMENSIONING AND TOLERANCING PER ASME Y14.5M-2009.

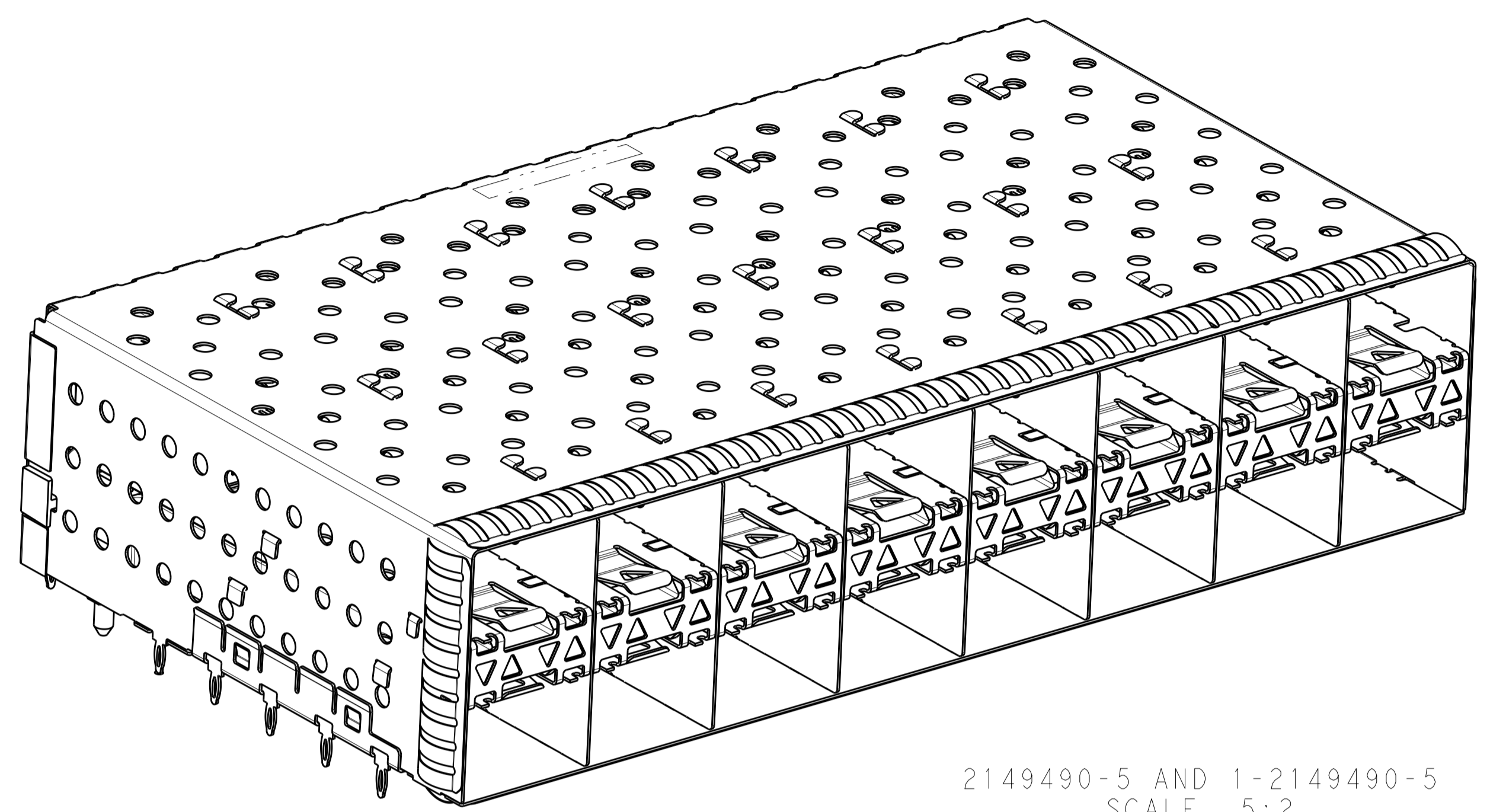
STE TE Connectivity

CAGE AND PT CONNECTOR ASSEMBLY, WITH EMI SPRINGS, PRESS FIT, 2X8, STACKED SFP+

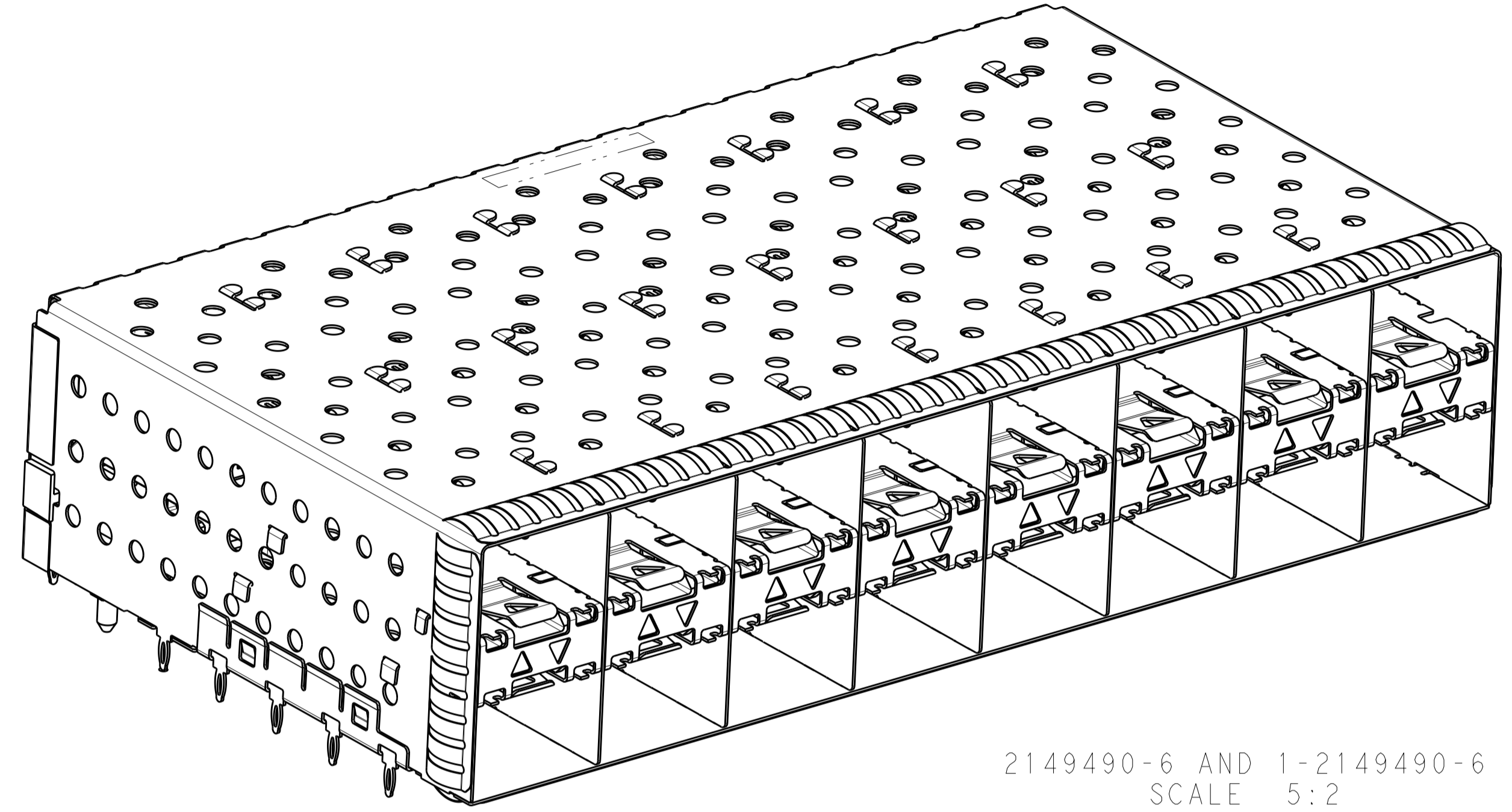
100779 ©=2149490

SCALE 3:1 SHEET 1 OF 4 REV B

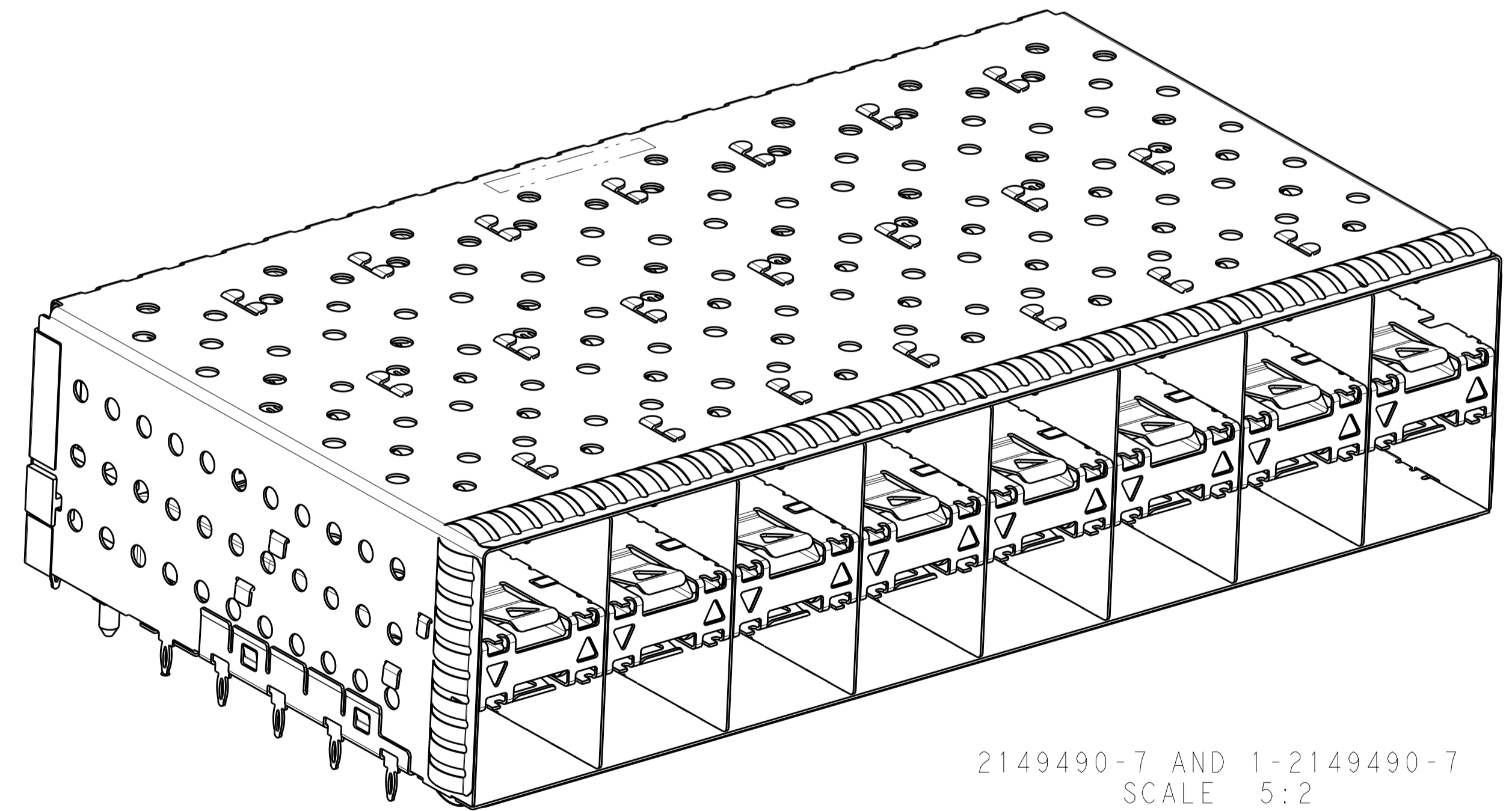
| LOC |     | DIST        |      | REVISIONS |      |  |  |
|-----|-----|-------------|------|-----------|------|--|--|
| P   | LTN | DESCRIPTION | DATE | DMN       | APVD |  |  |
| -   | -   | SEE SHEET 1 | -    | -         | -    |  |  |
|     |     |             |      |           |      |  |  |
|     |     |             |      |           |      |  |  |



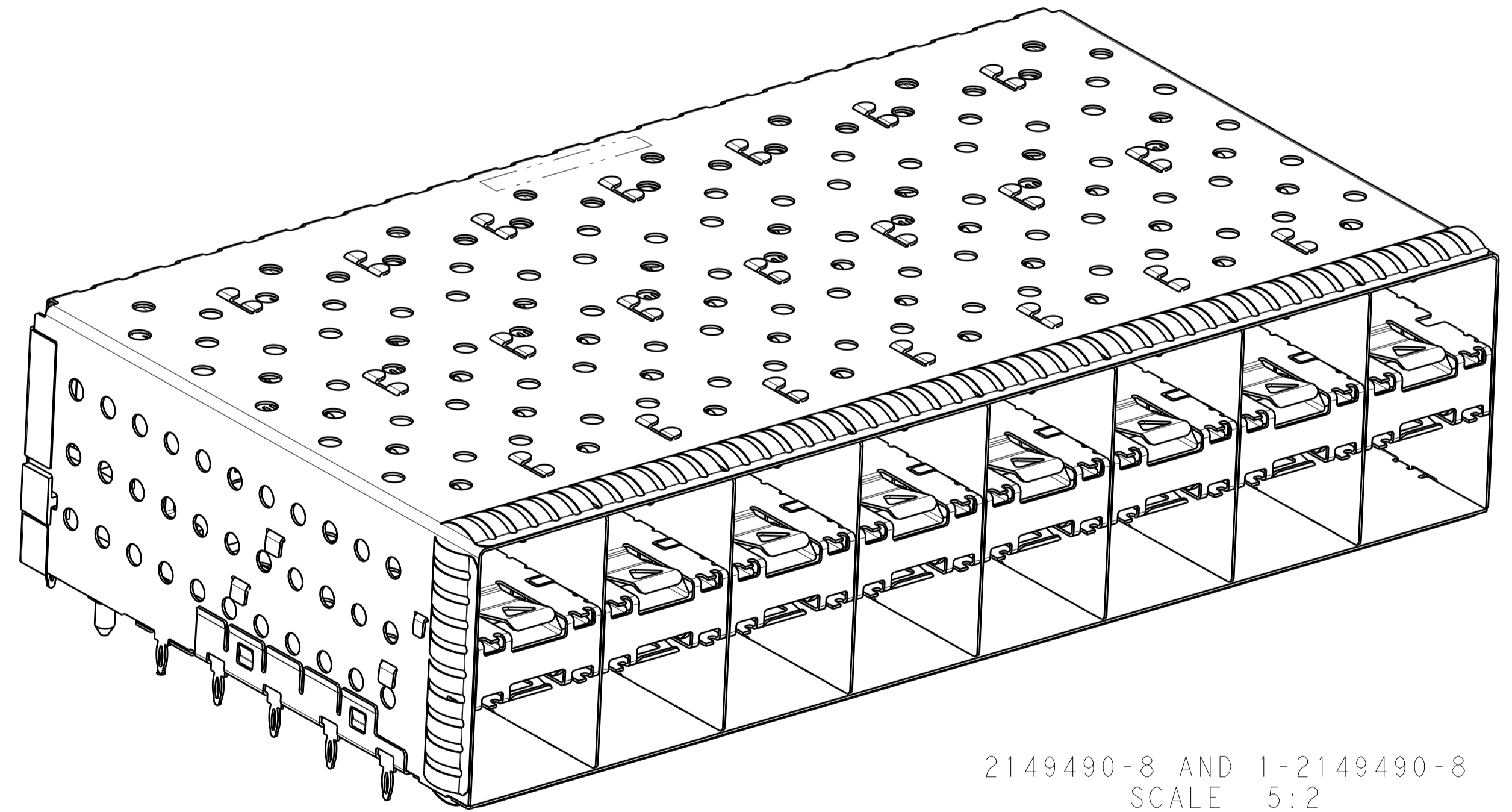
2149490-5 AND 1-2149490-5  
 SCALE 5:2



2149490-6 AND 1-2149490-6  
 SCALE 5:2



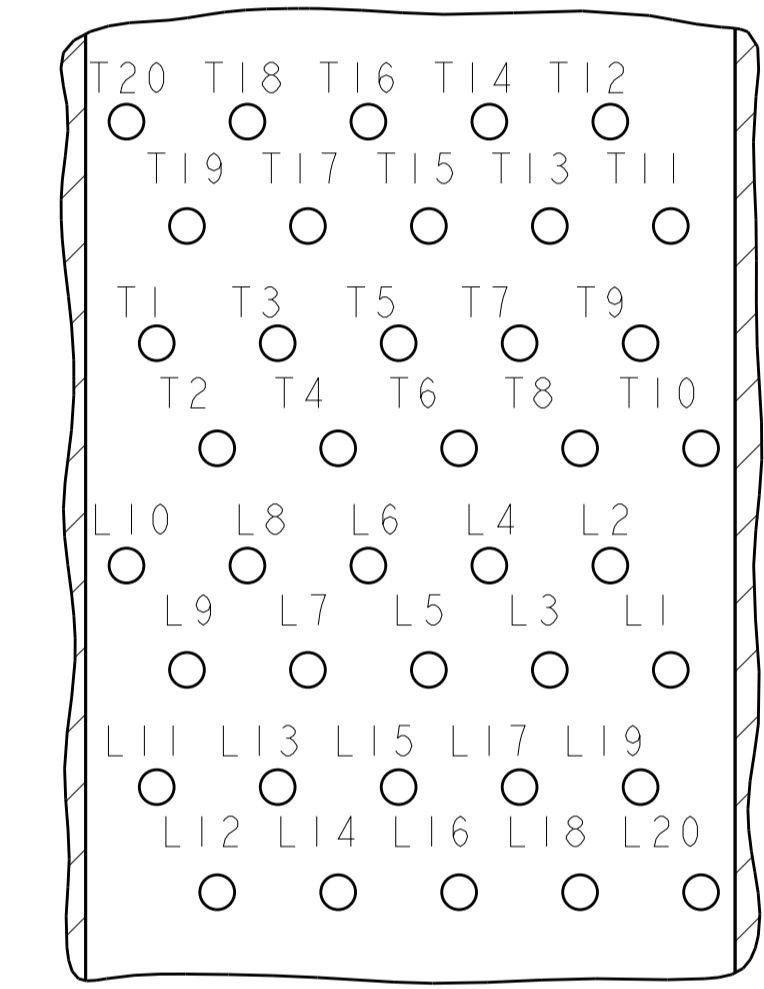
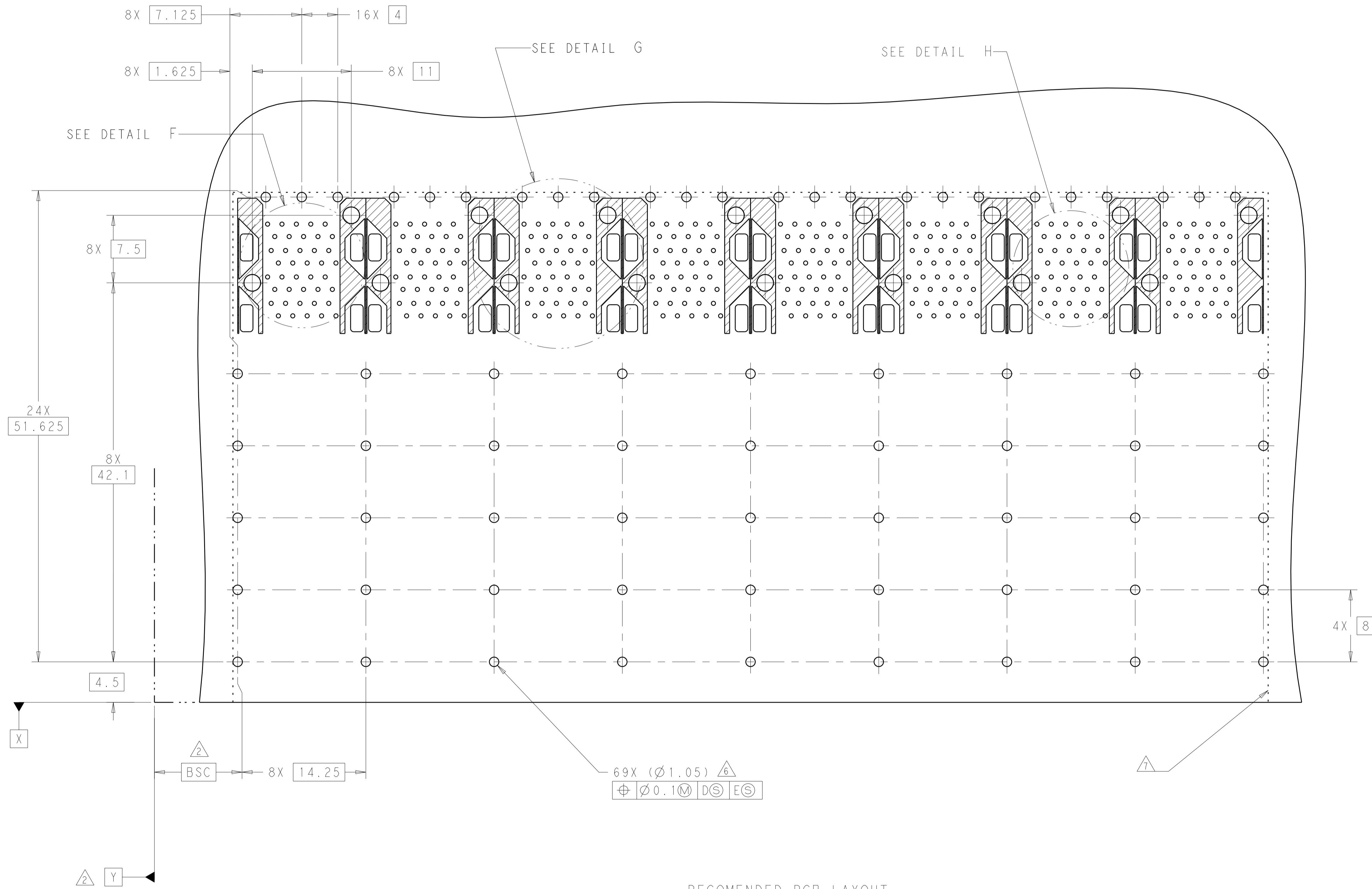
2149490-7 AND 1-2149490-7  
 SCALE 5:2



2149490-8 AND 1-2149490-8  
 SCALE 5:2

|  |  |  |                 |
|--|--|--|-----------------|
| THIS DRAWING IS A CONTROLLED DOCUMENT.<br>DIMENSIONING AND TOLERANCING<br>PER ASME Y14.5M-2009 |  | DMN C. VALENTINE 08OCT2010<br>CHK J. PETERSON 08OCT2010<br>APVD J. PETERSON 08OCT2010  | TE Connectivity |
| DIMENSIONS:<br>mm  | TOLERANCES UNLESS<br>OTHERWISE SPECIFIED:<br>0 PLC ±<br>1 PLC ±0.10<br>2 PLC ±0.10<br>3 PLC ±0.10<br>4 PLC ±0.10<br>ANGLES ±0.10 | NAME CAGE AND PT CONNECTOR ASSEMBLY,<br>WITH EMI SPRINGS, PRESS FIT,<br>2X8, STACKED SFP+<br>PRODUCT SPEC 108-2331<br>APPLICATION SPEC 114-13219<br>CAGE CODE DRAWING NO. 114-13219<br>WEIGHT<br>MATERIAL FINISH |                 |
| CUSTOMER DRAWING   |  |  |                 |

| LOC | DIST | REVISIONS   |      |     |      |
|-----|------|-------------|------|-----|------|
| P.  | LTH  | DESCRIPTION | DATE | DMN | APVD |
| -   | -    | SEE SHEET 1 | -    | -   | -    |
|     |      |             |      |     |      |
|     |      |             |      |     |      |

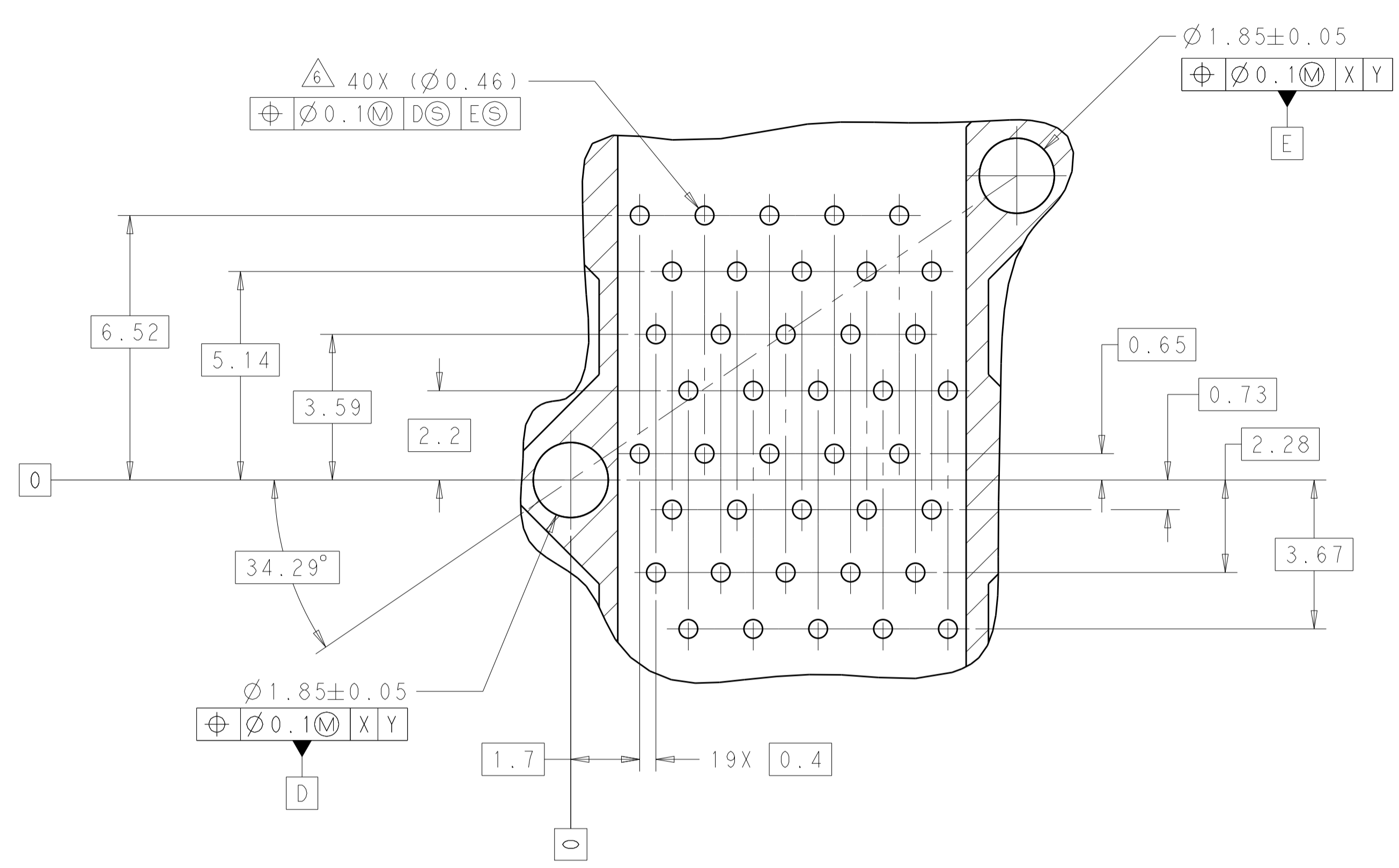


DETAIL H  
CONNECTOR PIN-OUT  
COMPONENT SIDE OF BOARD  
8X INDIVIDUALLY  
SCALE 10:1

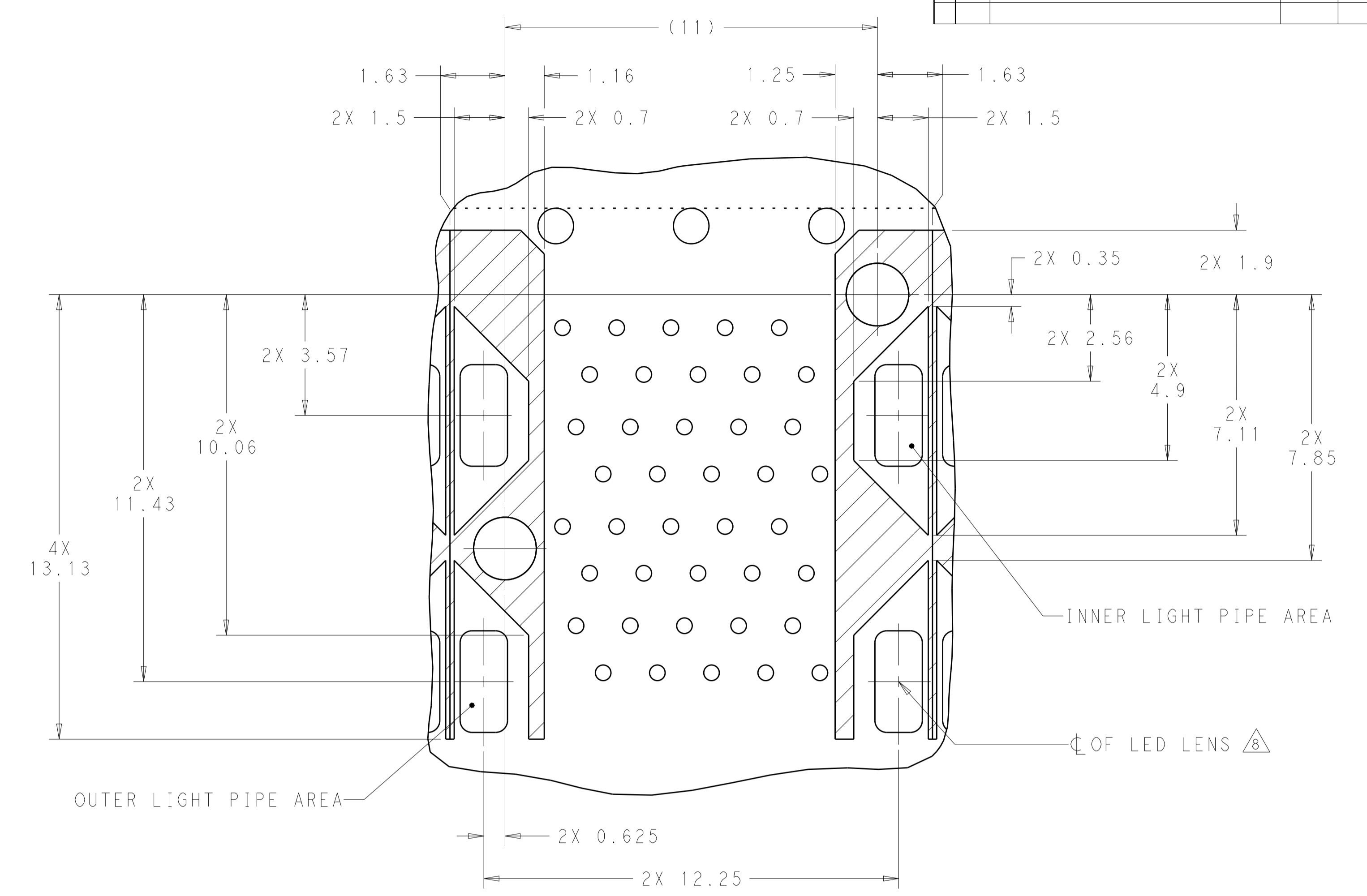
RECOMENDED PCB LAYOUT  
COMPONENT SIDE OF THE BOARD  
SCALE 4:1

|   |  |  |   |                 |  |
|---|--|--|---|-----------------|--|
| THIS DRAWING IS A CONTROLLED DOCUMENT. DIMENSIONING AND TOLERANCING PER ASME Y14.5M-2009.   |  | DMN: C. VALENTINE<br>CHK: J. PETERSON<br>APVD: J. PETERSON | 08OCT2010<br>08OCT2010<br>08OCT2010                       | TE Connectivity | NAME: CAGE AND PT CONNECTOR ASSEMBLY, WITH EMI SPRINGS, PRESS FIT, 2X8, STACKED SFP+ |
| DIMENSIONS: mm<br>TOLERANCES UNLESS OTHERWISE SPECIFIED:<br>0 PLC ±.10<br>1 PLC ±0.10<br>2 PLC ±0.10<br>3 PLC ±0.10<br>4 PLC ±0.10<br>ANGLES ±.10<br>FINISH | PRODUCT SPEC: 108-2331<br>APPLICATION SPEC: 114-13219<br>WEIGHT: - | SIZE: A1<br>CAGE CODE: 00779<br>DRAWING NO: C=2149490      | RESTRICTED TO: -<br>SCALE: 3:1<br>SHEET: 3 OF 4<br>REV: B |                 |  |

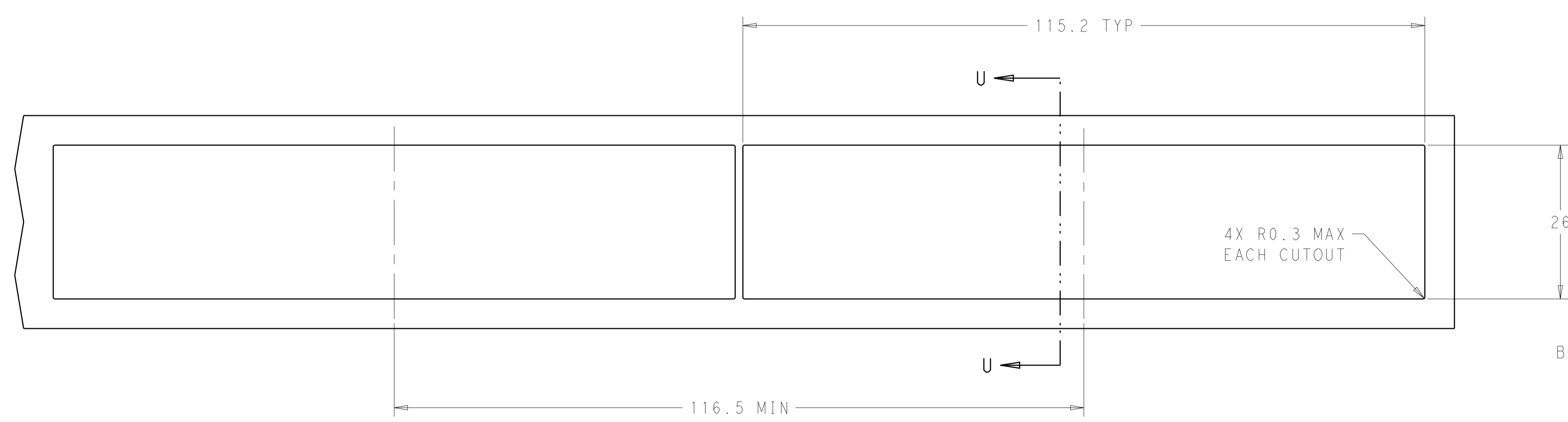
| LOC | DIST | REVISIONS   |      |     |      |
|-----|------|-------------|------|-----|------|
| P   | LTN  | DESCRIPTION | DATE | DMN | APVD |
| -   | -    | SEE SHEET 1 | -    | -   | -    |



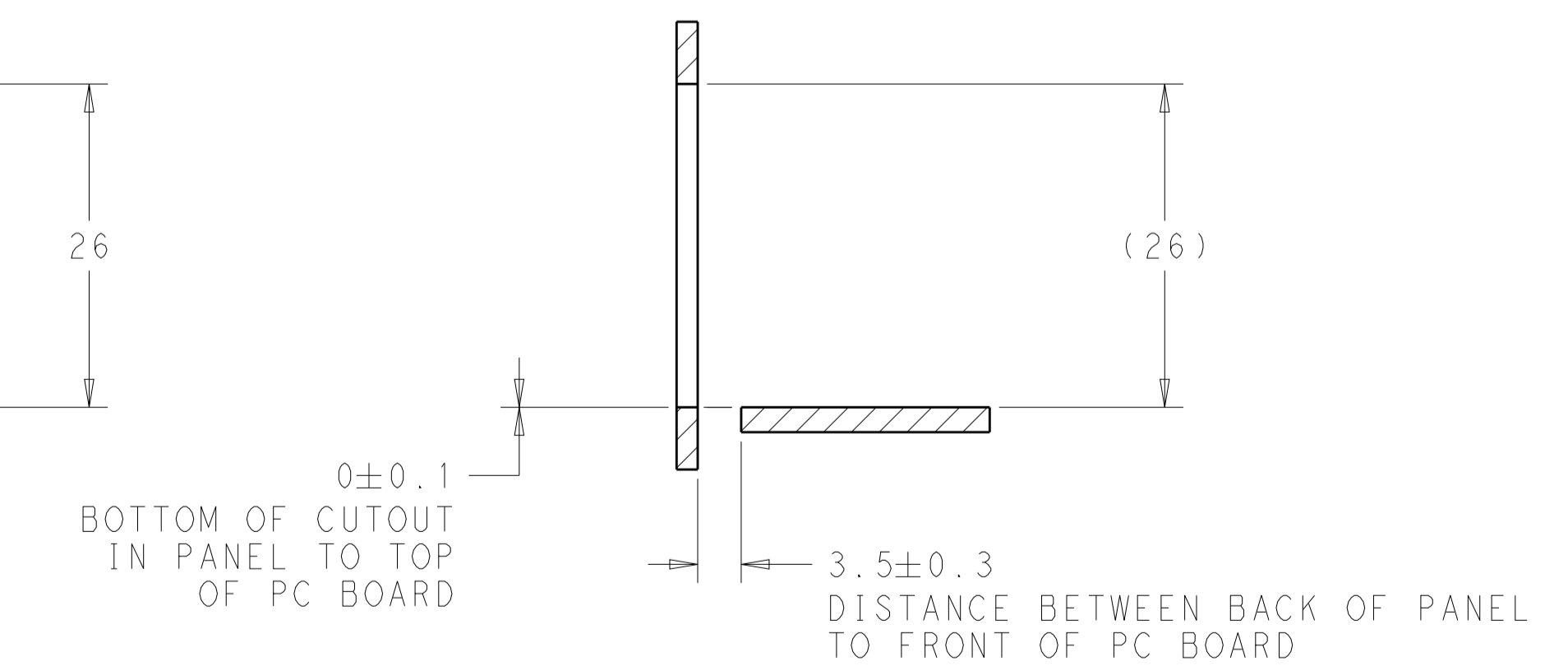
DETAIL F  
8X INDIVIDUALLY  
SCALE 10:1



DETAIL G  
CONNECTOR HOUSING  
KEEPOUT ZONE  
8X INDIVIDUALLY  
SCALE 10:1



RECOMMENDED PANEL CUTOUT  
AND PC BOARD, PANEL LAYOUT  
SCALE 2:1



SECTION U-U  
SCALE 2:1

|   |  |                                  |  |
|---|--|----------------------------------|--|
| THIS DRAWING IS A CONTROLLED DOCUMENT. DIMENSIONING AND TOLERANCING PER ASME Y14.5M-2009. |  | DMN<br>C. VALENTINE<br>08OCT2010 | TE Connectivity  |
| DIMENSIONS: mm  |  | CHK<br>J. PETERSON<br>08OCT2010  |  |
| TOLERANCES UNLESS OTHERWISE SPECIFIED:  |  | APVD<br>J. PETERSON<br>08OCT2010 | NAME<br>CAGE AND PT CONNECTOR ASSEMBLY,<br>WITH EMI SPRINGS, PRESS FIT,<br>2X8, STACKED SFP+ |
| 0 PLC ±.10  |  | PRODUCT SPEC                     |  |
| 1 PLC ±0.10   |  | 108-2331                         | SIZE CAGE CODE DRAWING NO<br>A100779C=2149490  |
| 2 PLC ±0.10   |  | APPLICATION SPEC                 |  |
| 3 PLC ±0.10   |  | 114-13219                        | RESTRICTED TO<br>-   |
| 4 PLC ±0.10   |  | WEIGHT                           |  |
| ANGLES ±0.10  |  | CUSTOMER DRAWING                 | SCALE 3:1 SHEET 4 OF 4 REV B   |