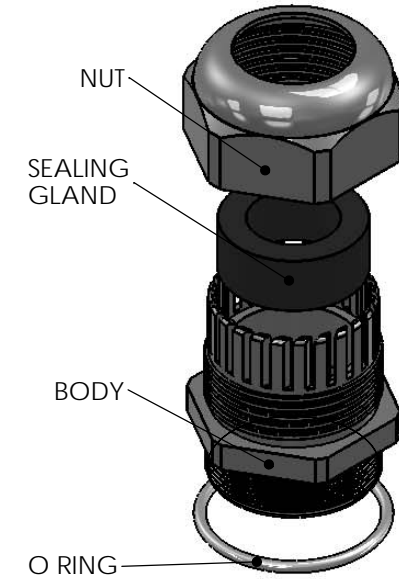


REV.	MODIFICATION.	DATE	DRN
01	Production release	19/01/10	MT
02	CO2010958	15/07/10	MT
03	CO2010965	28/07/10	MT
04	CO2011029	14/12/10	SF
05	CO2011176	27/7/11	SF

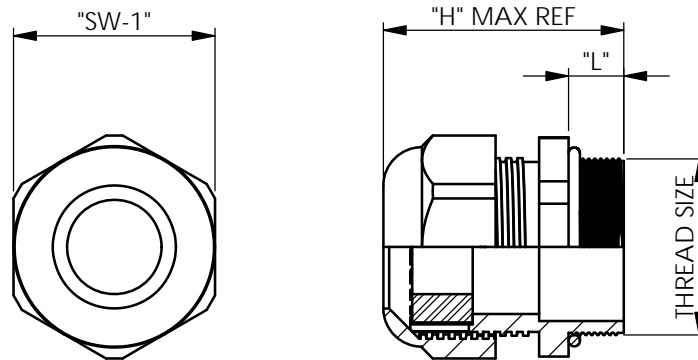
PART NUMBER	THREAD SIZE	CABLE DIAMETER		SUGGESTED CLEARANCE HOLE FOR NON THREADED MOUNTING	"L" ±0.5[.020]	"SW-1" ±0.5[.020]	"H" MAX REF	INSTALLATION TORQUE**
		MIN Ø	MAX Ø					
CG-NPT-3/8-1-BK	NPT-3/8	3[.118]	7[.276]	17[.670]	14.5[.571]	22[.866]	44.5[1.752]	2.2
CG-NPT-3/8-2-BK		5[.197]	10[.394]					
CG-NPT-1/2-1-BK	NPT-1/2	5[.197]	9[.236]	22.2[.875]	15[.591]	24[.945]	45[1.772]	2.7
CG-NPT-1/2-2-BK		7[.276]	12[.472]			27[1.063]	47.5[1.870]	3.0
CG-NPT-1/2-3-BK		10[.394]	14[.551]			33[1.299]	52[2.047]	5.0
CG-NPT-3/4-1-BK	NPT-3/4	9[.236]	16[.630]	27.1[1.068]	18[.709]	42[1.654]	60.5[2.382]	7.5
CG-NPT-3/4-2-BK		14[.551]	18[.709]					
CG-NPT-1-1-BK	NPT-1	12[.472]	20[.787]	34.3[1.350]	18[.709]	42[1.654]	60.5[2.382]	7.5
CG-NPT-1-2-BK		19[.748]	25[.984]					
O RING INCLUDED WITH THREADS NPT-1								
PARTS AVAILABLE IN GREY (RAL 7035) BY SPECIAL ORDER. TO ORDER REMOVE -BK FROM END OF PART NUMBER.								
**TESTED WITH SPECIFIED TEST MANDRELS ACCORDING DIN EN 50262, CHAPTER 5.7. DEPENDING ON THE CABLE CONSTRUCTION DIFFERENCES ARE POSSIBLE.								



ALTERNATE UNITS FOR REFERENCE ONLY

SPECIAL ORDER EU REGION

<p>INFORMATION CONTAINED IN THIS DOCUMENT IS CONFIDENTIAL TO RICHCO INTERNATIONAL Co. Ltd. AND MAY NOT BE DISCLOSED OR REPRODUCED IN WHOLE OR PART WITHOUT THEIR WRITTEN CONSENT.</p>					
<p><b>RICHCO, INC.</b> WWW.RICHCO-INC.COM</p>			<p>ALL DIMENSIONS IN mm[inch] GENERAL TOLERANCES UNLESS OTHERWISE STATED 1 DECIMAL PLACE ± 2 DECIMAL PLACES ± ANGULAR ±1°</p>		<p>THIRD ANGLE</p>
<p>MATERIAL: BODY AND NUT - NYLON 6 UL94 V-2 (RMS-036) SEALING GLAND - CR/NBR (RMS-037) O RING - NBR (RMS-041)</p>			<p>COLOUR: BODY AND NUT: BLACK, RAL 9005 SEAL: GREY, O RING: BLACK</p>		
<p>DESCRIPTION: CABLE GLANDS - NPT TYPE</p>			<p>PART No: CG-NPT-XX-X</p>		
<p>DRG No: 09-111</p>		<p>NPR No: EU09-0034</p>		<p>SHEET SIZE A4</p>	
<p>DRN MT</p>	<p>DATE 09/04/09</p>	<p>CHKD TC</p>	<p>DATE 08/10/09</p>	<p>SCALE NTS</p>	<p>SHEET No. 1 OF 1</p>



NOTES:  
TEMPERATURE RANGE -20 °C TO +100 °C  
PROTECTION GRADE IP68 - 5 BAR