

**“LAN-MATE” SERIES**

**SINGLE RJ45 CONNECTOR MODULE WITH INTEGRATED 10 BASE T MAGNETICS**

**P/N: LT1S010**

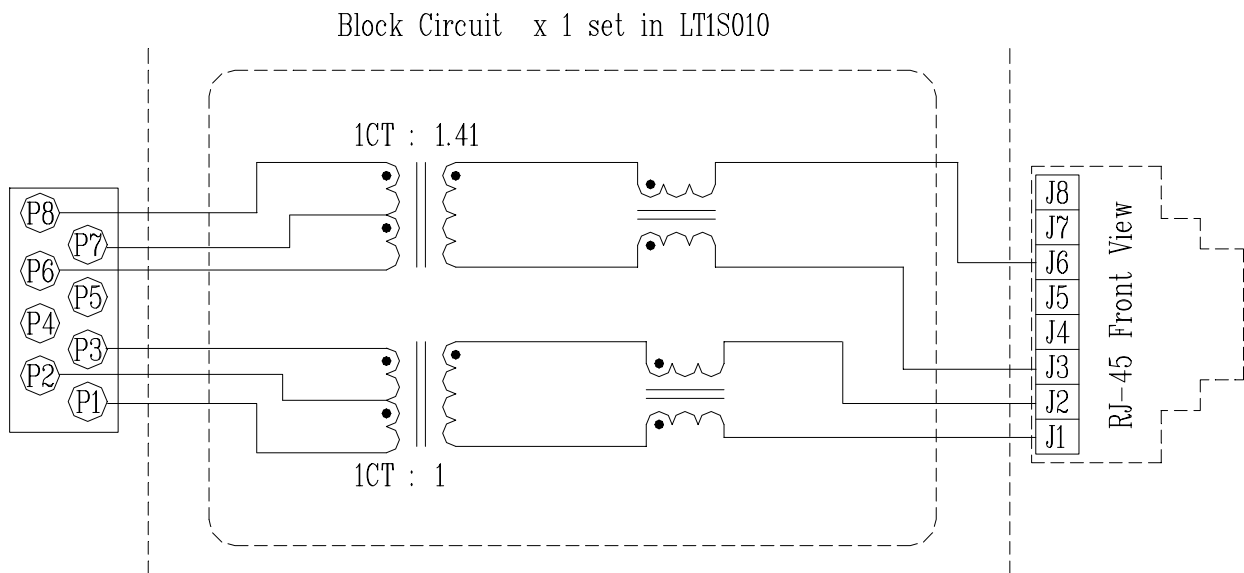
**A. General Specifications**

- 1. RJ-45 connector integrated with X’FMER/ Impedance Resistor/High voltage capacitor
- 2. Size same as RJ-45 connector to save PCB Board space.
- 3. Reduce EMI radiation, improve EMI performance.
- 4. Complies with IEEE802.3 standards
- 5. Operating temperature range : 0°C to +70°C.

**B. Electrical Specifications@25°C:**

- 1. Turn Ratio: P1-P3:J1-J2=1CT:1 & P6-P8:J3-J6=1CT:1.41
- 2. Primary OCL Inductance: 140μH Min. @100KHz/ 0.2V
- 3. Leakage Inductance : 0.4μH Max
- 4. Inter winding Capacitance: 20pF Max.
- 5. HI-POT Isolation: 1500 Vrms

**C. Schematic:**

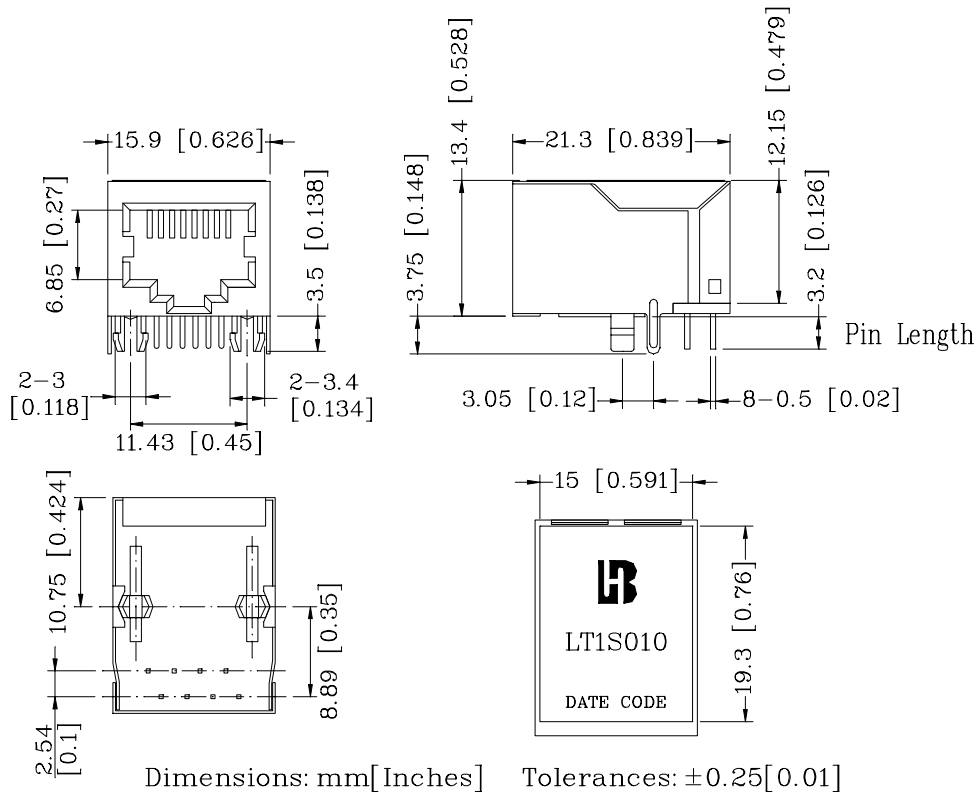


**“LAN-MATE” SERIES**

**SINGLE RJ45 CONNECTOR MODULE WITH INTEGRATED 10 BASE T MAGNETICS**

**P/N: LT1S010**

**D. Mechanical:**



1. Plastic Material : PBT 15% Glass Filled (UL 94V-0) , Black Housing
2. Metal Shield : Brass C2680-H, 20u Nickle Plated, t=0.25mm
3. Spring Wire : 0.45mm Dia. Phosphor bronze with 6u gold plated .
4. Solder Pin : 0.4x0.4mm ,Phosphor bronze with Solder plated
5. Durability : 300 Mating cycles Min .

**E. PCB Layout Mounting Hole (Top View)**

