

To our customers,

Old Company Name in Catalogs and Other Documents

On April 1st, 2010, NEC Electronics Corporation merged with Renesas Technology Corporation, and Renesas Electronics Corporation took over all the business of both companies. Therefore, although the old company name remains in this document, it is a valid Renesas Electronics document. We appreciate your understanding.

Renesas Electronics website: <http://www.renesas.com>

April 1st, 2010
Renesas Electronics Corporation

Issued by: Renesas Electronics Corporation (<http://www.renesas.com>)

Send any inquiries to <http://www.renesas.com/inquiry>.

Notice

1. All information included in this document is current as of the date this document is issued. Such information, however, is subject to change without any prior notice. Before purchasing or using any Renesas Electronics products listed herein, please confirm the latest product information with a Renesas Electronics sales office. Also, please pay regular and careful attention to additional and different information to be disclosed by Renesas Electronics such as that disclosed through our website.
2. Renesas Electronics does not assume any liability for infringement of patents, copyrights, or other intellectual property rights of third parties by or arising from the use of Renesas Electronics products or technical information described in this document. No license, express, implied or otherwise, is granted hereby under any patents, copyrights or other intellectual property rights of Renesas Electronics or others.
3. You should not alter, modify, copy, or otherwise misappropriate any Renesas Electronics product, whether in whole or in part.
4. Descriptions of circuits, software and other related information in this document are provided only to illustrate the operation of semiconductor products and application examples. You are fully responsible for the incorporation of these circuits, software, and information in the design of your equipment. Renesas Electronics assumes no responsibility for any losses incurred by you or third parties arising from the use of these circuits, software, or information.
5. When exporting the products or technology described in this document, you should comply with the applicable export control laws and regulations and follow the procedures required by such laws and regulations. You should not use Renesas Electronics products or the technology described in this document for any purpose relating to military applications or use by the military, including but not limited to the development of weapons of mass destruction. Renesas Electronics products and technology may not be used for or incorporated into any products or systems whose manufacture, use, or sale is prohibited under any applicable domestic or foreign laws or regulations.
6. Renesas Electronics has used reasonable care in preparing the information included in this document, but Renesas Electronics does not warrant that such information is error free. Renesas Electronics assumes no liability whatsoever for any damages incurred by you resulting from errors in or omissions from the information included herein.
7. Renesas Electronics products are classified according to the following three quality grades: “Standard”, “High Quality”, and “Specific”. The recommended applications for each Renesas Electronics product depends on the product’s quality grade, as indicated below. You must check the quality grade of each Renesas Electronics product before using it in a particular application. You may not use any Renesas Electronics product for any application categorized as “Specific” without the prior written consent of Renesas Electronics. Further, you may not use any Renesas Electronics product for any application for which it is not intended without the prior written consent of Renesas Electronics. Renesas Electronics shall not be in any way liable for any damages or losses incurred by you or third parties arising from the use of any Renesas Electronics product for an application categorized as “Specific” or for which the product is not intended where you have failed to obtain the prior written consent of Renesas Electronics. The quality grade of each Renesas Electronics product is “Standard” unless otherwise expressly specified in a Renesas Electronics data sheets or data books, etc.
 - “Standard”: Computers; office equipment; communications equipment; test and measurement equipment; audio and visual equipment; home electronic appliances; machine tools; personal electronic equipment; and industrial robots.
 - “High Quality”: Transportation equipment (automobiles, trains, ships, etc.); traffic control systems; anti-disaster systems; anti-crime systems; safety equipment; and medical equipment not specifically designed for life support.
 - “Specific”: Aircraft; aerospace equipment; submersible repeaters; nuclear reactor control systems; medical equipment or systems for life support (e.g. artificial life support devices or systems), surgical implantations, or healthcare intervention (e.g. excision, etc.), and any other applications or purposes that pose a direct threat to human life.
8. You should use the Renesas Electronics products described in this document within the range specified by Renesas Electronics, especially with respect to the maximum rating, operating supply voltage range, movement power voltage range, heat radiation characteristics, installation and other product characteristics. Renesas Electronics shall have no liability for malfunctions or damages arising out of the use of Renesas Electronics products beyond such specified ranges.
9. Although Renesas Electronics endeavors to improve the quality and reliability of its products, semiconductor products have specific characteristics such as the occurrence of failure at a certain rate and malfunctions under certain use conditions. Further, Renesas Electronics products are not subject to radiation resistance design. Please be sure to implement safety measures to guard them against the possibility of physical injury, and injury or damage caused by fire in the event of the failure of a Renesas Electronics product, such as safety design for hardware and software including but not limited to redundancy, fire control and malfunction prevention, appropriate treatment for aging degradation or any other appropriate measures. Because the evaluation of microcomputer software alone is very difficult, please evaluate the safety of the final products or system manufactured by you.
10. Please contact a Renesas Electronics sales office for details as to environmental matters such as the environmental compatibility of each Renesas Electronics product. Please use Renesas Electronics products in compliance with all applicable laws and regulations that regulate the inclusion or use of controlled substances, including without limitation, the EU RoHS Directive. Renesas Electronics assumes no liability for damages or losses occurring as a result of your noncompliance with applicable laws and regulations.
11. This document may not be reproduced or duplicated, in any form, in whole or in part, without prior written consent of Renesas Electronics.
12. Please contact a Renesas Electronics sales office if you have any questions regarding the information contained in this document or Renesas Electronics products, or if you have any other inquiries.

(Note 1) “Renesas Electronics” as used in this document means Renesas Electronics Corporation and also includes its majority-owned subsidiaries.

(Note 2) “Renesas Electronics product(s)” means any product developed or manufactured by or for Renesas Electronics.



User's Manual

QB-78K0FX2

In-Circuit Emulator

Target Devices

78K0/FC2

78K0/FE2

78K0/FF2

[MEMO]

IECUBE is a registered trademark of NEC Electronics Corporation in Japan and Germany.

PC/AT is a trademark of International Business Machines Corporation.

- **The information in this document is current as of February, 2009. The information is subject to change without notice. For actual design-in, refer to the latest publications of NEC Electronics data sheets or data books, etc., for the most up-to-date specifications of NEC Electronics products. Not all products and/or types are available in every country. Please check with an NEC Electronics sales representative for availability and additional information.**

- No part of this document may be copied or reproduced in any form or by any means without the prior written consent of NEC Electronics. NEC Electronics assumes no responsibility for any errors that may appear in this document.

- NEC Electronics does not assume any liability for infringement of patents, copyrights or other intellectual property rights of third parties by or arising from the use of NEC Electronics products listed in this document or any other liability arising from the use of such products. No license, express, implied or otherwise, is granted under any patents, copyrights or other intellectual property rights of NEC Electronics or others.

- Descriptions of circuits, software and other related information in this document are provided for illustrative purposes in semiconductor product operation and application examples. The incorporation of these circuits, software and information in the design of a customer's equipment shall be done under the full responsibility of the customer. NEC Electronics assumes no responsibility for any losses incurred by customers or third parties arising from the use of these circuits, software and information.

- While NEC Electronics endeavors to enhance the quality, reliability and safety of NEC Electronics products, customers agree and acknowledge that the possibility of defects thereof cannot be eliminated entirely. To minimize risks of damage to property or injury (including death) to persons arising from defects in NEC Electronics products, customers must incorporate sufficient safety measures in their design, such as redundancy, fire-containment and anti-failure features.

- NEC Electronics products are classified into the following three quality grades: "Standard", "Special" and "Specific".

The "Specific" quality grade applies only to NEC Electronics products developed based on a customer-designated "quality assurance program" for a specific application. The recommended applications of an NEC Electronics product depend on its quality grade, as indicated below. Customers must check the quality grade of each NEC Electronics product before using it in a particular application.

"Standard": Computers, office equipment, communications equipment, test and measurement equipment, audio and visual equipment, home electronic appliances, machine tools, personal electronic equipment and industrial robots.

"Special": Transportation equipment (automobiles, trains, ships, etc.), traffic control systems, anti-disaster systems, anti-crime systems, safety equipment and medical equipment (not specifically designed for life support).

"Specific": Aircraft, aerospace equipment, submersible repeaters, nuclear reactor control systems, life support systems and medical equipment for life support, etc.

The quality grade of NEC Electronics products is "Standard" unless otherwise expressly specified in NEC Electronics data sheets or data books, etc. If customers wish to use NEC Electronics products in applications not intended by NEC Electronics, they must contact an NEC Electronics sales representative in advance to determine NEC Electronics' willingness to support a given application.

(Note)

(1) "NEC Electronics" as used in this statement means NEC Electronics Corporation and also includes its majority-owned subsidiaries.

(2) "NEC Electronics products" means any product developed or manufactured by or for NEC Electronics (as defined above).

[MEMO]

General Precautions for Handling This Product

1. Circumstances not covered by product guarantee

- If the product was disassembled, altered, or repaired by the customer
- If it was dropped, broken, or given another strong shock
- Use at overvoltage, use outside guaranteed temperature range, storing outside guaranteed temperature range
- If power was turned on while connection to the AC adapter, USB interface cable, or target system was in an unsatisfactory state
- If the cable of the AC adapter, the USB interface cable, the emulation probe, or the like was bent or pulled excessively
- <R> • When using an AC adapter (QB-COMMON-PW-xx) not supported in the region of use
- If the product got wet
- If this product is connected to the target system when there is a potential difference between the GND of this product and GND of the target system.
- If the connectors or cables are plugged/unplugged while this product is in the power-on state.
- <R> • If excessive load is applied to the connectors or sockets (As for handling, please see **2.5 Mounting and Connecting Connectors**).
- If a metal part of the power switch, cooling fan, or another such part comes in contact with an electrostatic charge.
- If the product is used or stored in an environment where an electrostatic or electrical noise is likely to occur.

2. Safety precautions

- If used for a long time, the product may become hot (50°C to 60°C). Be careful of low temperature burns and other dangers due to the product becoming hot.
- Be careful of electrical shock. There is a danger of electrical shock if the product is used as described above in **1. Circumstances not covered by product guarantee**.

INTRODUCTION

Readers This manual is intended for users who wish to perform debugging using the QB-78K0FX2. The readers of this manual are assumed to be familiar with the device functions and usage, and to have knowledge of debuggers.

Purpose This manual is intended to give users an understanding of the basic specifications and correct usage of the QB-78K0FX2.

Organization This manual is divided into the following sections.

- General
- Setup procedure
- Settings at product shipment
- Differences between target interface circuit and target device
- Notes
- Restrictions

How to Read This Manual It is assumed that the readers of this manual have general knowledge in the fields of electrical engineering, logic circuits, and microcontrollers.

This manual describes the basic setup procedures and how to set switches.

To understand the overall functions and usages of the QB-78K0FX2

→ Read this manual according to the **CONTENTS**. The mark “<R>” shows major revised points. The revised points can be easily searched by copying an “<R>” in the PDF file and specifying it in the “Find what:” field.

To know the manipulations, command functions, and other software-related settings of the QB-78K0FX2

→ See the user’s manual of the debugger (supplied with the QB-78K0FX2) to be used.

Conventions

Note:	Footnote for item marked with Note in the text
Caution:	Information requiring particular attention
Remark:	Supplementary information
Numeric representation:	Binary ... xxxx or xxxxB
	Decimal ... xxxx
	Hexadecimal ... xxxxH
Prefix indicating power of 2 (address space, memory capacity):	K (kilo): $2^{10} = 1,024$ M (mega): $2^{20} = 1,024^2$

Terminology

The meanings of the terms used in this manual are described in the table below.

Term	Meaning
Target device	This is the device to be emulated.
Target system	This is the system to be debugged. This includes the target program and the hardware provided by the user.
78K0/FX2	Generic name indicating 78K0/FC2, 78K0/FE2, and 78K0/FF2.
IECUBE [®]	Generic name for NEC Electronics' high-performance/compact in-circuit emulator.

Related Documents

Please use the following documents in conjunction with this manual.

The related documents listed below may include preliminary versions. However, preliminary versions are not marked as such.

Documents Related to Development Tools (User's Manuals)

Document Name		Document Number
QB-78K0FX2 In-Circuit Emulator		This manual
RA78K0 Assembler Package Ver. 3.80	Operation	U17199E
	Language	U17198E
	Structured Assembly Language	U17197E
CC78K0 C Compiler Ver. 3.70	Operation	U17201E
	Language	U17200E
ID78K0-QB Ver. 3.00 Integrated Debugger	Operation	U18492E
PM plus Ver. 6.30		U18416E

Caution The related documents listed above are subject to change without notice. Be sure to use the latest version of each document for designing, etc.

CONTENTS

CHAPTER 1 GENERAL	9
1.1 Hardware Specifications	10
1.2 System Specifications	11
1.3 System Configuration	12
1.4 Package Contents	16
1.5 AC Adapter for IECUBE	17
CHAPTER 2 SETUP PROCEDURE	18
2.1 Names and Functions of Hardware	19
2.2 Removal of Acrylic Board	21
2.3 Clock Settings	21
2.3.1 Overview of clock settings	21
2.3.2 Clock setting methods	22
2.3.3 Main system clock	22
2.3.4 Subsystem clock	24
2.4 Software Settings	24
2.5 Mounting and Connecting Connectors	24
2.5.1 Mounting NQ in target system	24
2.5.2 Mounting YQ on NQ	25
2.5.3 Plugging EA into YQ.....	25
2.5.4 Notes on handling NQ, YQ, and YS	25
2.5.5 Notes on mounting NQ and IC	26
2.6 Connecting QB-78K0FX2 to Target System	26
2.7 Notes on Power Supply and GND Pin Connection	29
2.8 Connecting USB Interface Cable and AC Adapter	30
2.9 Switching Power On and Off	30
CHAPTER 3 SETTINGS AT PRODUCT SHIPMENT	31
CHAPTER 4 DIFFERENCES BETWEEN TARGET INTERFACE CIRCUIT AND TARGET DEVICE	32
4.1 For 78K0/FC2 Emulation	33
4.2 For 78K0/FE2 Emulation	35
4.3 For 78K0/FF2 Emulation	37
CHAPTER 5 NOTES	39
CHAPTER 6 RESTRICTIONS	40
APPENDIX A REVISION HISTORY	41

CHAPTER 1 GENERAL

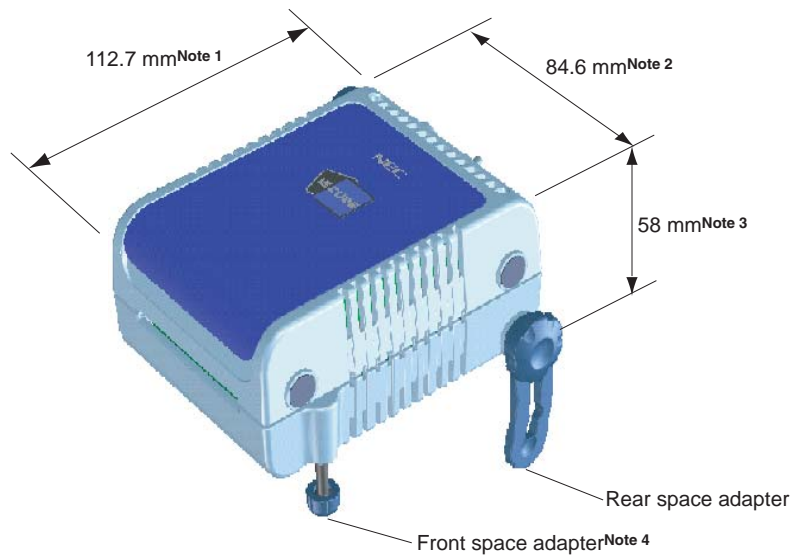
The QB-78K0FX2 is an in-circuit emulator for emulating the 78K0/FX2.

Hardware and software can be debugged efficiently in the development of systems in which the 78K0/FX2 is used. This manual describes basic setup procedures, hardware specifications, system specifications, and how to set switches.

1.1 Hardware Specifications

Table 1-1. QB-78K0FX2 Hardware Specifications

Parameter		Specification
Target device		78K0/FC2, 78K0/FE2, 78K0/FF2
Operating voltage		1.74 to 5.5 V
Operating frequency		Main system clock V _{DD} = 4.0 to 5.5 V: 20 MHz V _{DD} = 2.7 to 5.5 V: 10 MHz V _{DD} = 1.8 to 5.5 V: 5 MHz
		Internal oscillation clock Internal high-speed oscillation clock V _{DD} = 2.7 to 5.5 V: 8 MHz (TYP.) Internal low-speed oscillation clock V _{DD} = 2.7 to 5.5 V: 240 kHz (TYP.) (120 to 480 kHz)
		Subsystem clock V _{DD} = 1.8 to 5.5 V: 32.768 kHz
Operating temperature range		0 to 40°C (No condensation)
Storage temperature range		-15 to 60°C (No condensation)
External dimensions		See figure below
Power consumption	AC adapter for QB-78K0FX2	15 V, 1 A
	Target system power supply	Equivalent to target device
Weight		300 g
Host interface		USB interface (1.1, 2.0)



- Notes**
1. Does not include projection of power switch
 2. Includes projection of screw that fixes rear space adapter
 3. Dimension when rear space adapter is made shortest (88 mm when longest)
 4. Front space adapter can vary from 20 mm (longest) to 5 mm (shortest)

1.2 System Specifications

This section shows the QB-78K0FX2 system specifications.

Table 1-2. QB-78K0FX2 System Specifications

Parameter		Specification
Emulation memory capacity	Internal ROM	128 KB (MAX.)
	Internal high-speed ROM	1 KB (MAX.)
	Internal expansion RAM	6 KB (MAX.)
Program execution functions	Real-time execution function	Go, Start from Here, Go & Go, Come Here, Restart, Return Out, Ignore break points and Go
	Non-real-time execution function	Step execution
Break functions	Event break	Execution: 8 points Access: Byte 8 points, word 2 points
	Software break	2000 points
	Pre-execution break	16 points
	Fail-safe break	Exists
	Other	Forcible break, trace full break, trace delay break, timeout break, timer overflow break
Trace functions	Trace data types	Program address, program data, access address, access data, status
	Trace modes	Full trace, section trace, qualify trace
	Trace functions	Delay function, full stop function
	Memory capacity	128K frames
Real-time RAM monitoring function		All spaces
Time measurement functions	Measurement clock	50 MHz or CPU clock
	Measurement objects	Beginning through end of program execution Start event through end event
	Maximum measurement time	Approximately 48 hours and 50 minutes (Resolution 41 μ s)
	Minimum resolution	20 ns (Measuring time: 85 seconds)
	Number of timers for measurement	Start through end of program execution: 1 Start event through end event: 2
	Measurement results	Maximum, minimum, average, cumulative, number of passes (between events)
	Other	Timer overflow break function, timeout break function
Other functions		Mapping function, event function, coverage function, snapshot function, DMM function, stub function, power-off emulation function, pin mask function

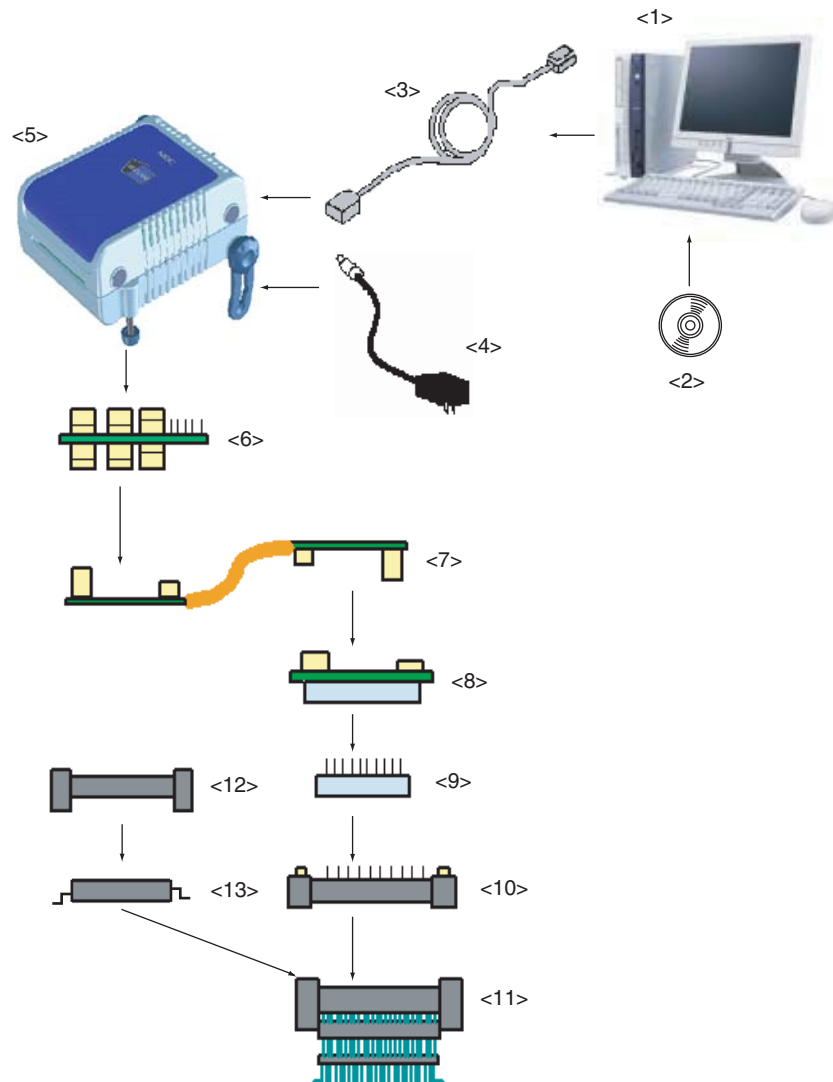
1.3 System Configuration

This section shows the system configuration when using the QB-78K0FX2 connected to a PC (PC-9821 series, PC/AT™ compatible). Connection is possible even without optional products.

Table 1-3. Devices Subject to Emulation by 78K0/FX2

Nickname	Package	Device Name	
		Flash Memory Version	Mask Version
78K0/FC2	44-pin LQFP (GB)	μ PD78F0881, 78F0882, 78F0883	-
	48-pin LQFP (GA)	μ PD78F0884, 78F0885, 78F0886	-
78K0/FE2	64-pin LQFP (GB, GK)	μ PD78F0887, 78F0888, 78F0889, 78F0890	-
78K0/FF2	80-pin LQFP (GC, GK)	μ PD78F0891, 78F0892, 78F0893	-

Figure 1-1. System Configuration



- | | |
|---|---|
| <p><1> Host machine:</p> <p><2> ID78K0-QB Disk/Accessory Disk^{Note1}:</p> <p><3> USB interface cable:</p> <p><4> AC adapter^{Note2}:</p> <p><5> QB-78K0FX2:</p> <p><6> Check pin adapter^{Note3}:</p> <p><7> Emulation probe:</p> <p><8> Exchange adapter^{Note4}:</p> <p><9> Space adapter^{Note4}:</p> <p><10> YQ connector^{Note3}:</p> <p><11> Target connector^{Note4}:</p> <p><12> Mount adapter^{Note4}:</p> <p><13> Device</p> | <p>PC-9821 series, PC/AT compatible can be used
Debugger, USB drivers, manual, etc.</p> <p>Cable connecting QB-78K0FX2 to host machine</p> <p>AC adapters classified by region</p> <p>This product</p> <p>Adapter used when observing waveforms on oscilloscope</p> <p>Flexible type of emulation probe</p> <p>Adapter that performs pin conversion</p> <p>Adapter for height regulation</p> <p>Connector that connects exchange adapter to target connector</p> <p>Connector soldered to target system</p> <p>Adapter for socket mounting target device</p> <p>Target device</p> |
|---|---|

Refer to 1.4 **Package Contents** for the purchase forms of the above products.

Notes 1. Obtain device files from the NEC Electronics website.

<http://www.necel.com/micro/ods/eng/index.html>

- <R>
2. The part number of <4> differs depending on the region of use. See **Table 1-11 Part Numbers of AC Adapter for IECUBE Classified by Region** for the part numbers. The IECUBE requires an AC adapter that must be purchased separately.
 3. Please refer to **[Related Information]** on the following URL about attachment method for pin header cover.
<http://www.necel.com/micro/english/iecube/index.html>
 4. As for handling of connectors, refer to **2.5 Mounting and Connecting Connectors**.

<R>**Remark** See the following URL for package drawings of the connectors, adapters, and probes.

<http://www.necel.com/micro/en/development/asia/Emulator/IE/iecube.html>

Table 1-4. Check Pin Adapters

Package	Check Pin Adapter
Common	QB-144-CA-01

Table 1-5. Exchange Adapters

Package	Exchange Adapter
80GC	QB-80GC-EA-01T
80GK	QB-80GK-EA-01T
64GB	QB-64GB-EA-03T
64GK	QB-64GK-EA-03T
48GA	QB-48GA-EA-01T
44GB	QB-44GB-EA-02T

Table 1-6 Emulation Probes

Package	Emulation Probe
Common	QB-80-EP-01T

Table 1-7. YQ Connectors

Package	YQ Connector
80GC	QB-80GC-YQ-01T
80GK	QB-80GK-YQ-01T
64GB	QB-64GB-YQ-01T
64GK	QB-64GK-YQ-01T
48GA	QB-48GA-YQ-01T
44GB	QB-44GB-YQ-01T

Table 1-8 Space Adapters

Package	Space Adapter
80GC	QB-80GC-YS-01T
80GK	QB-80GK-YS-01T
64GB	QB-64GB-YS-01T
64GK	QB-64GK-YS-01T
48GA	QB-48GA-YS-01T
44GB	QB-44GB-YS-01T

Table 1-9. Target Connectors

Package	Target Connector
80GC	QB-80GC-NQ-01T
80GK	QB-80GK-NQ-01T
64GB	QB-64GB-NQ-01T
64GK	QB-64GK-NQ-01T
48GA	QB-48GA-NQ-01T
44GB	QB-44GB-NQ-01T

Table 1-10. Mount Adapters

Package	Mount Adapter
80GC	QB-80GC-HQ-01T
80GK	QB-80GK-HQ-01T
64GB	QB-64GB-HQ-01T
64GK	QB-64GK-HQ-01T
48GA	QB-48GA-HQ-01T
44GB	QB-44GB-HQ-01T

1.4 Package Contents

The following items have been placed in the QB-78K0FX2 packing box. Please check the contents.

<R> Products supplied with QB-78K0FX2-ZZZ

- 1: QB-78K0FX2
- 2: USB interface cable (2 meters)
- 3: Online user registration card (warranty card and software contract in one)
- 4: ID78K0-QB Disk (CD-ROM)
- 5: Accessory Disk (CD-ROM)
- 6: IECUBE Setup Manual (Japanese/English)
- 7: Packing list
- 8: QB-MINI2

Products supplied with QB-78K0FX2-T80GC

- 1 to 8
- 9: Emulation probe QB-80-EP-01T
 - 10: Exchange adapter QB-80GC-EA-01T
 - 11: YQ connector QB-80GC-YQ-01T
 - 12: Target connector QB-80GC-NQ-01T

Products supplied with QB-78K0FX2-T80GK

- 1 to 8
- 9: Emulation probe QB-80-EP-01T
 - 10: Exchange adapter QB-80GK-EA-01T
 - 11: YQ connector QB-80GK-YQ-01T
 - 12: Target connector QB-80GK-NQ-01T

Products supplied with QB-78K0FX2-T64GB

- 1 to 8
- 9: Emulation probe QB-80-EP-01T
 - 10: Exchange adapter QB-64GB-EA-04T
 - 11: YQ connector QB-64GB-YQ-01T
 - 12: Target connector QB-64GB-NQ-01T

Products supplied with QB-78K0FX2-T64GK

- 1 to 8
- 9: Emulation probe QB-80-EP-01T
 - 10: Exchange adapter QB-64GK-EA-04T
 - 11: YQ connector QB-64GK-YQ-01T
 - 12: Target connector QB-64GK-NQ-01T

Products supplied with QB-78K0FX2-T48GA

- 1 to 8
- 9: Emulation probe QB-80-EP-01T
 - 10: Exchange adapter QB-48GA-EA-01T
 - 11: YQ connector QB-48GA-YQ-01T
 - 12: Target connector QB-48GA-NQ-01T

Products supplied with QB-78K0FX2-T44GB

1 to 8

- 9: Emulation probe QB-80-EP-01T
- 10: Exchange adapter QB-44GB-EA-02T
- 11: YQ connector QB-44GB-YQ-01T
- 12: Target connector QB-44GB-NQ-01T

The following products are sold as single items.

- Emulation probe
- Exchange adapter
- YQ connector
- Target connector
- Check pin adapter
- Space adapter
- Mount adapter

<R> 1.5 AC Adapter for IECUBE

The specifications of the AC adapter for IECUBE differ depending on the region of use.
Be sure to use an AC adapter corresponding to the region of use.

The IECUBE is not provided with an AC adapter.
It must be purchased separately.

Table 1-11. Part Numbers of AC Adapter for IECUBE Classified by Region

Product	Destination (Region) ^{Notes 1, 2}	Part Number ^{Note 3}
AC adapter (sold separately)	Japan	QB-COMMON-PW-JP
	USA	QB-COMMON-PW-EA
	China	QB-COMMON-PW-CN
	Hong Kong	QB-COMMON-PW-HK
	South Korea	QB-COMMON-PW-KR
	Singapore	QB-COMMON-PW-SG
	Taiwan	QB-COMMON-PW-TW

- Notes**
1. Products are shipped only on order from each region.
 2. Contact a distributor or an NEC Electronics sales representative for information on regions other than the above.
 3. Only the AC adapter usable in each region can be ordered.

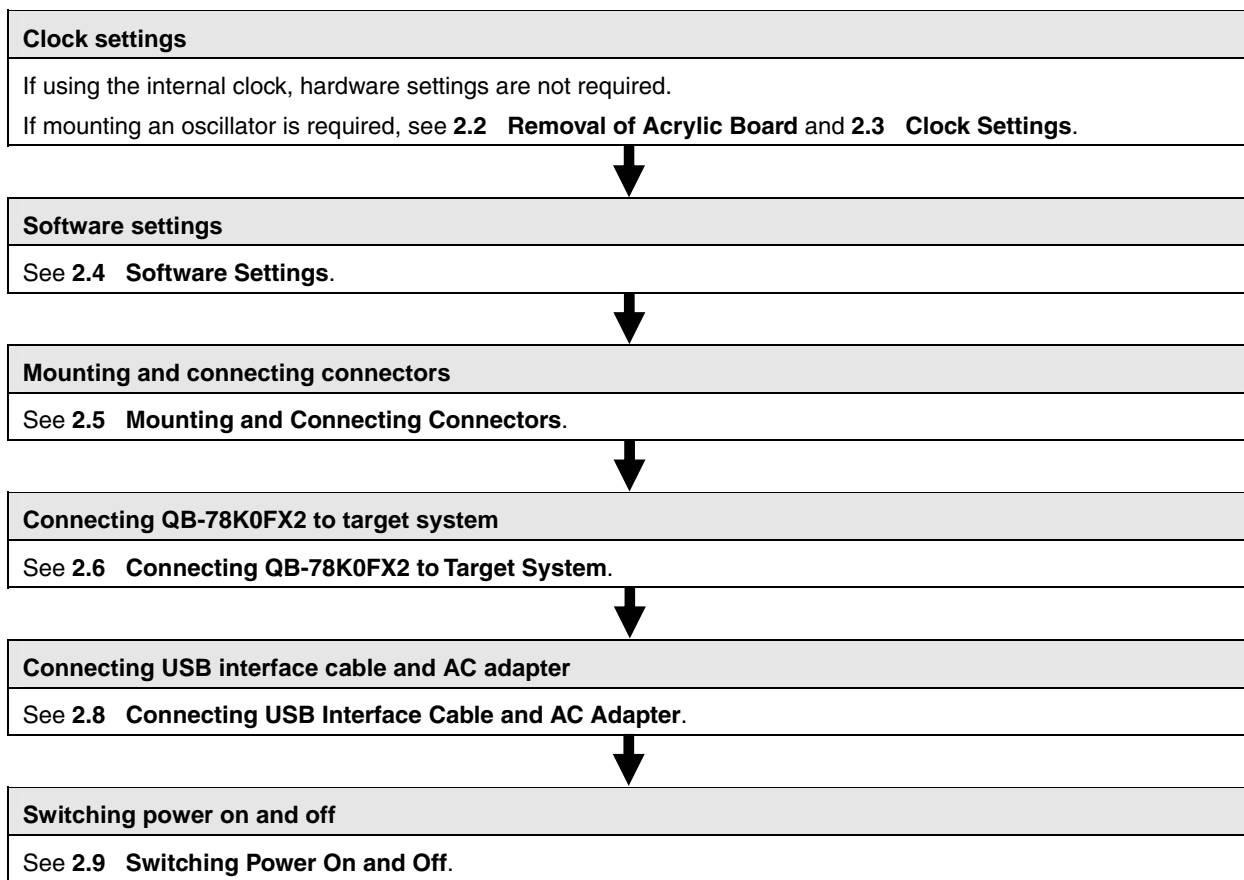
CHAPTER 2 SETUP PROCEDURE

This chapter explains the QB-78K0FX2 setup procedure.

Setup can be completed by performing installation setup in the order in which it appears in this chapter.

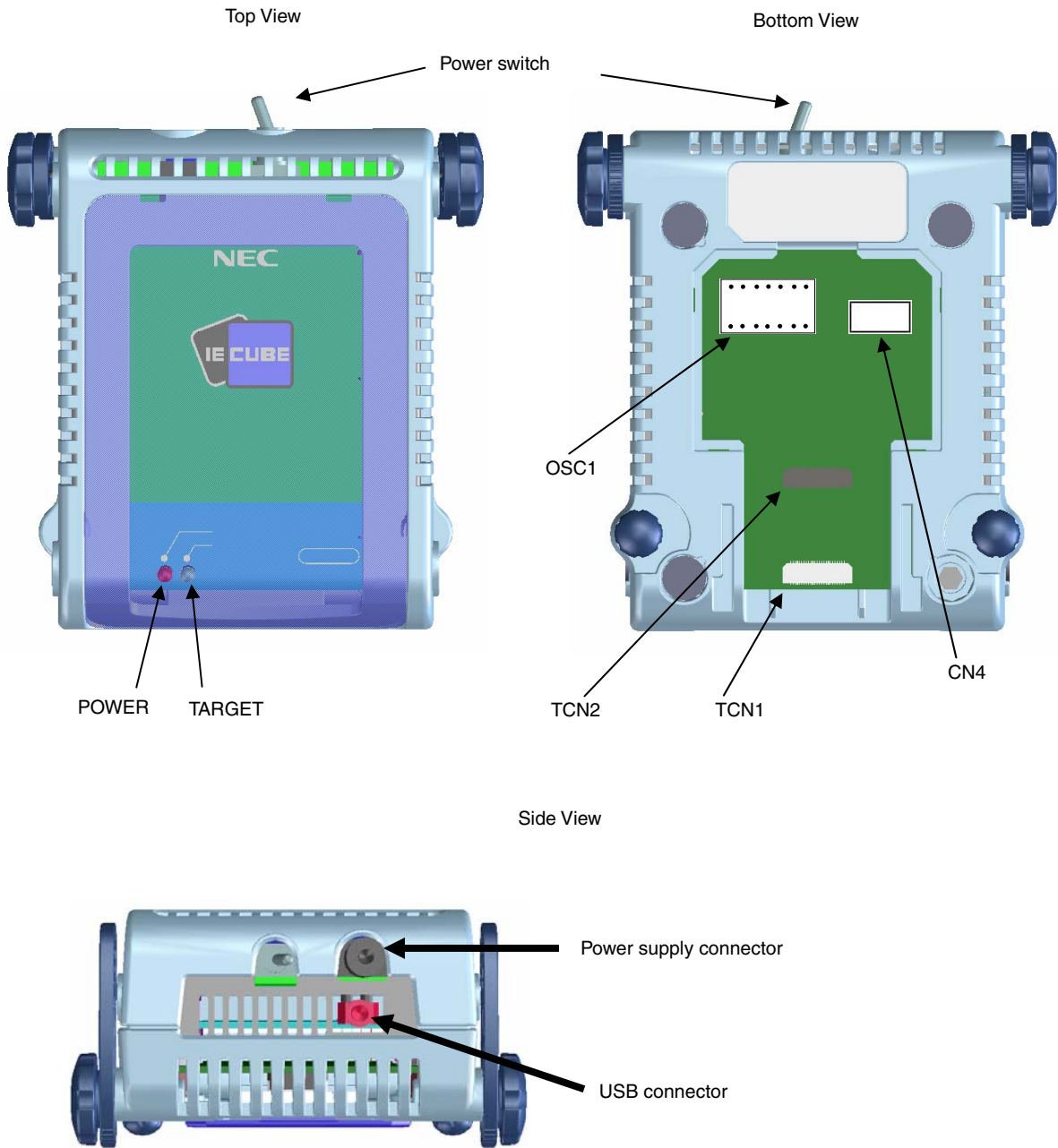
Perform setup along the lines of the following procedure.

See **2.1 Names and Functions of Hardware** for clock board positions.



2.1 Names and Functions of Hardware

Figure 2-1. Names of Parts of QB-78K0FX2



(1) TCN1, TCN2

These are connectors for connecting a check pin adapter or emulation probe.

(2) OSC1

This is a socket for mounting the oscillator.

(3) CN4^{Note}

This is a connector for the shipment inspection.

Note It is not necessary for user to use CN4.

(4) POWER (Red LED)

This is an LED that shows whether or not the power supply of the QB-78K0FX2 is switched on.

LED State	QB-78K0FX2 State
Lit	Power switch ON
Not lit	Power switch OFF or AC adapter not connected to QB-78K0FX2
Blinking	Internal error occurred (Contact an NEC Electronics sales representative or distributor)

(5) TARGET (Green LED)

This is an LED that shows whether or not the power supply of the target system is switched on.

LED State	Target System State
Lit	Target system power supply ON
Not lit	Target system power supply OFF or target system not connected

(6) Power switch

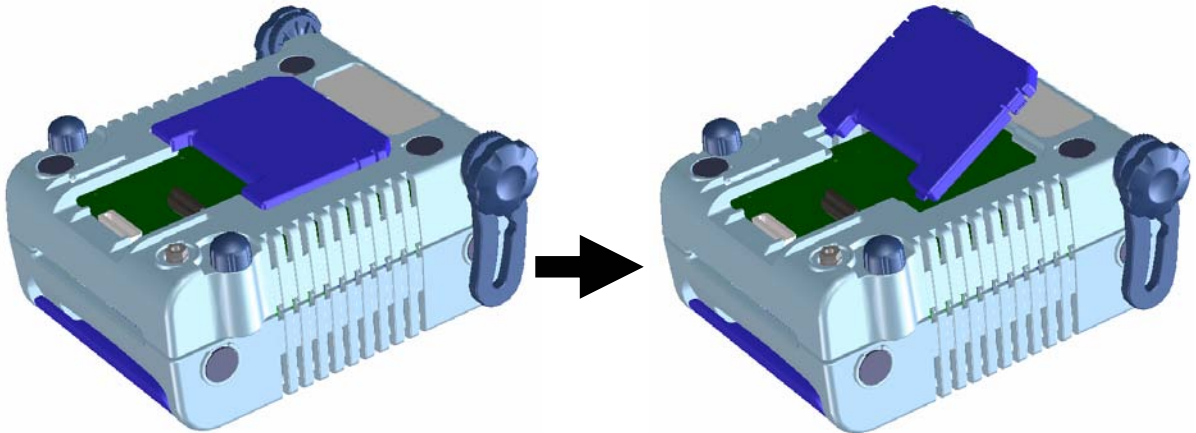
This is the power switch of the QB-78K0FX2.

It is OFF at shipment.

2.2 Removal of Acrylic Board

To modify the clock setting, the acrylic board on the bottom of the QB-78K0FX2 must be removed. The acrylic board can be removed by lifting it up.

Figure 2-2. Acrylic Board Removal Method



2.3 Clock Settings

2.3.1 Overview of clock settings

The following 5 types of clock settings are available.

For details, see **2.3.2 Clock setting methods**.

Main system clock

- (1) Use the internally generated clock
- (2) Use a target system clock
- (3) Generate the clock from the oscillator mounted on OSC1.

Subsystem clock

- (1) Use the internally generated clock
- (2) Use a target system clock

2.3.2 Clock setting methods

This section shows the clock settings.

Table 2-1. Setting Main System Clock

Type of Clock to Use	OSC1	Debugger Setting
(1) Use internally generated clock	–	System Clock
(2) Use target system clock ^{Note}	–	External Clock
(3) Generate clock from oscillator	Mount oscillator.	Clock Board

Note Do not select this setting when TARGET LED is not lit.

Remarks 1. Settings other than the above are prohibited.

2. Selection of (1) or (2) is possible regardless of whether the oscillator is or is not mounted on OSC1.

Table 2-2. Setting Subsystem Clock

Type of Clock to Use	Remarks
(1) Use internally generated clock	System Clock
(2) Use target system clock ^{Note}	External Clock

Note Do not select this setting when TARGET LED is not lit.

Remark Settings other than the above are prohibited.

2.3.3 Main system clock

(1) For using internally generated clock

Select “System Clock” in the debugger and select the desired frequency from the dialog menu.

(2) For using target system clock

Select “External Clock” in the debugger to use the clock input from the target system.

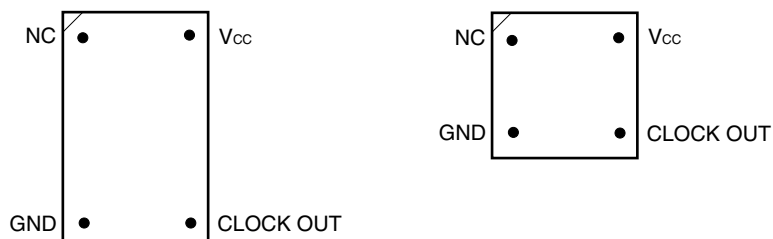
To input the clock from the target system, input the square wave with the same potential as the target device to the clock pin (X2) (inputting inverted waveform to the X1 pin is unnecessary).

(3) For using oscillator

◆ Things to prepare

- Oscillator^{Note} (with pins as shown in Figure 2-3 and 5 V power supply)

Figure 2-3. Oscillator (Main System Clock)



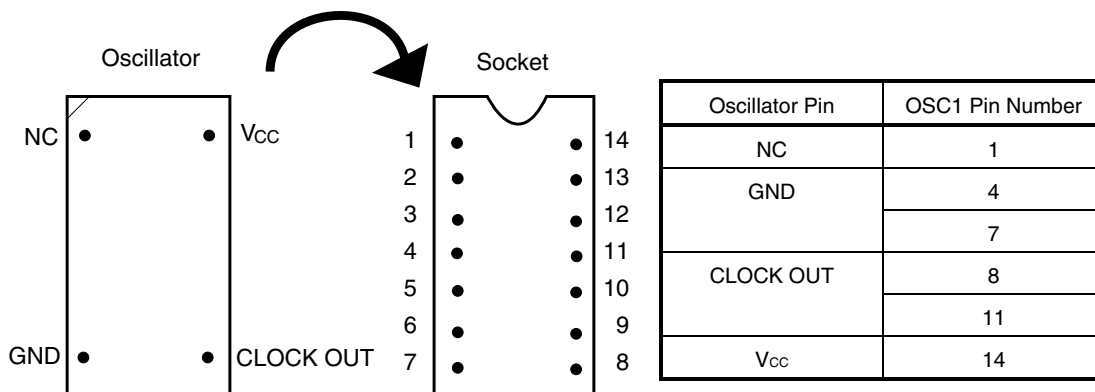
Top View

Note The oscillation circuit using an oscillation cannot be used.

<Procedure>

- <1> Mount the prepared oscillator in OSC1. When mounting the oscillator in OSC1 be careful to insert it in the direction of the number 1 pin mark.

Figure 2-4. Mapping of Oscillator to Socket (Main System Clock)



- <2> In the debugger, set the "Clock Board".

For the frequency at this time, the clock of the oscillator that is mounted on OSC1 is used.

2.3.4 Subsystem clock

(1) For mounting internally generated clock

Select “System Clock” in the debugger and select the desired frequency from the dialog menu.

(2) For using target system clock

Select “External Clock” in the debugger to use the clock input from the target system.

To input the clock from the target system, input the square wave with the same potential as the target device to the clock pin (XT2) (inputting inverted waveform to the XT1 pin is unnecessary).

2.4 Software Settings

For details, see the **ID78K0-QB Ver. 2.90 Integrated Debugger Operation User's Manual (U17437E)**.

2.5 Mounting and Connecting Connectors

This section describes the methods of connecting the QB-78K0FX2 and target system.

Make connections with both the QB-78K0FX2 and target system powered OFF.

The following abbreviations are used in this section.

- NQ: Target connector
- YQ: YQ connector
- EA: Exchange adapter
- HQ: Mount adapter
- CA: Check pin adapter
- YS: Space adapter

2.5.1 Mounting NQ in target system

- (1) Thinly apply a two-component epoxy adhesive (hardening time at least 30 minutes) to the ends of the four projections on the base of the NQ and adhere the NQ to the user board (clean the surface of the user board using alcohol or the like). If alignment of user board pads to NQ leads is difficult, align them as in (2).
- (2) Align by inserting the guide pins for alignment for the NQ (NQ-Guide) through the pin holes on the top of the NQ. Accessory holes are $\phi 1.0$ mm non-through holes in 2 or 3 places. (For hole positions, see the particular NQ drawing.)
- (3) Solder after fitting the HQ to the NQ. This is to prevent troubles such as flux or solder splatter and adhering to the NQ contact pins when soldering.
 - Soldering conditions

Solder reflow	At 240°C for a maximum of 20 seconds
Manual soldering	At 240°C for a maximum of 10 seconds (1 pin)

Caution Do not perform washing by flux immersion or vapor.

- (4) Take away the guide pins.

2.5.2 Mounting YQ on NQ

- (1) After confirming that there are no broken or bent YQ contact pins, fit the YQ in the NQ and fasten the screw. If repeatedly inserting and removing, be sure to inspect the YQ pins before fitting. If pins are bent, correct them using something thin and flat such as the edge of a knife.
- (2) Accessory holes are needed in prescribed positions in 4 places in the board for connecting the YQ. Fasten the YQ to the NQ on the user board using the supplied $M2 \times 10$ mm screws. The thickness of a board corresponding to these screws is 1.0 to 2.0 mm. Fasten the screws equally in the four corners using a No. 1 or No. 0 precision (+) driver or torque driver. The tightening torque of the screws is 0.054 Nm (MAX.). Too great tightening causes bad connections.

Screws for fitting to the NQ ($M2 \times 10$ mm/4) are included with the YQ.

2.5.3 Plugging EA into YQ

Match the No. 1 pin position of the YQ or YS (C cuts match in both) to the No. 1 pin position of the EA and plug in.

- When plugging or unplugging, press on the NQ, YQ, and YS with a finger so that there is no force on the NQ.
- When plugging or unplugging, be careful of the direction of rocking.

As a tool when unplugging, insert some kind of thin non-conductive material such as a wooden stick between the YQ (YS) and EA and rock while slowly unplugging. Be careful since the connector will be damaged if this is done in the wrong direction.

2.5.4 Notes on handling NQ, YQ, and YS

- (1) When taking the NQ from the box, press down on the body and take out the sponge first.
- (2) Since the pins of the YQ are thin and easily bent, be careful. When inserting it in the NQ, confirm that there are no bent pins.
- (3) When screwing a YQ soldered to a board to the NQ, fasten the screws in four places in turn using a No. 0 or No. 1 Phillips precision driver or torque driver after tentatively tightening them. Fix the torque at 0.054 Nm (MAX.). If just one place is overtightened, it may cause poor contact. Moreover, a board being connected to the YQ must have accessory holes in prescribed positions (4 places: $\phi 2.3$ mm or $\phi 3.3$ mm). The $\phi 3.8$ mm or $\phi 4.3$ mm that is the screw head size is an area where wiring is prohibited.
- (4) In YQ and YS removal, since there is a danger of YQ pins being bent or broken when prying and rocking, remove them gradually using a screwdriver from four directions. Moreover, to connect and use the YQ and YS, screw the YQ to the NQ according to the YQGUIDE (sold separately) using a 2.3 mm screwdriver and then connect it to the YS. Fix the torque at 0.054 Nm (MAX.). If even one place is overtightened, it may cause poor contact.
- (5) For the NQ, YQ, and YS, since there is a danger that washing fluid on the structure will remain in the connector, do not perform washing.
- (6) NQ, IC, and YQ cannot be used in combination.
- (7) An NQ/YQ system cannot be used in an environment of vibrations or shocks.
- (8) It is assumed that this product will be used in system development and evaluation. Moreover, when used in Japan, Electrical Appliance and Material Control Law and electromagnetic disturbance countermeasures have not been applied.
- (9) Since there are rare cases of shape change if the box is left for a long time in a place where it is 50°C or higher, for safekeeping, store it in a place where it is no higher than 40°C and direct sunlight does not hit it.
- (10) For details about handling the NQ, YQ, and YS, see the NQPACK series technical materials at the website of Tokyo Eletech Corporation.

Tokyo Eletech Corporation website: <http://www.tetc.co.jp/>

2.5.5 Notes on mounting NQ and IC

- (1) Confirm that there is no weld flash in the resin (sealant part) of the IC. If there is weld flash, remove it using a knife or the like.
- (2) Confirm that there is no weld flash breaking or bending of IC leads. In particular, confirm the planarity of IC leads. If there is abnormality in the planarity, correct that portion.
- (3) Viewing the NQ contact pins from the top, if there are foreign bodies on them, remove them using a brush or the like.
After confirming (1) to (3), fit the IC to the NQ. Also fit the HQ.
- (4) Put the supplied M2 × 6 mm screws in the 4 accessory holes of the HQ and fasten the screws in opposite corners. At that time, use either the dedicated screw driver that is supplied or a torque driver to fasten them equally in turn with a tightening torque of 0.054 Nm (MAX.). Since the contact is poor if tightening is too great, once you have lightly fastened the HQ screws, tighten them again.
- (5) Depending on the use environment, when starting up a device that has been left for a long time, starting it may be difficult. In this case, loosen the screws slightly and then retighten them.
- (6) If startup still is difficult after (5) above, check (1) to (3) again.
- (7) Tightening the screws of the HQ too much may give rise to cracks in the molded part of the HQ (plastic part) and bend the mold into a bowed shape, making contact poor.
- (8) After soldering the NQ, do not perform washing by flux immersion or vapor.

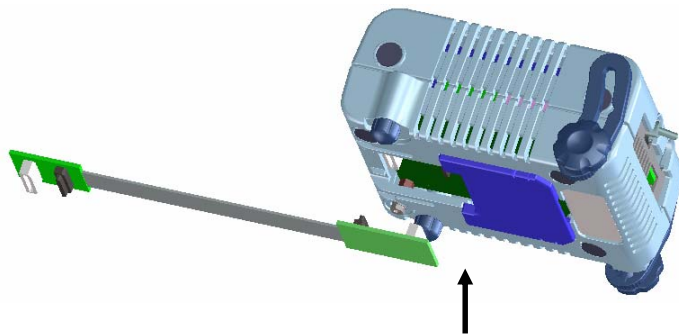
2.6 Connecting QB-78K0FX2 to Target System

If connecting the emulation probe (QB-80-EP-01T), connect it to the QB-78K0FX2 and the target system by the following procedure.

(a) Connection of emulation probe

Connect the emulation probe to the QB-78K0FX2.

Figure 2-5. Emulation Probe Connection Method



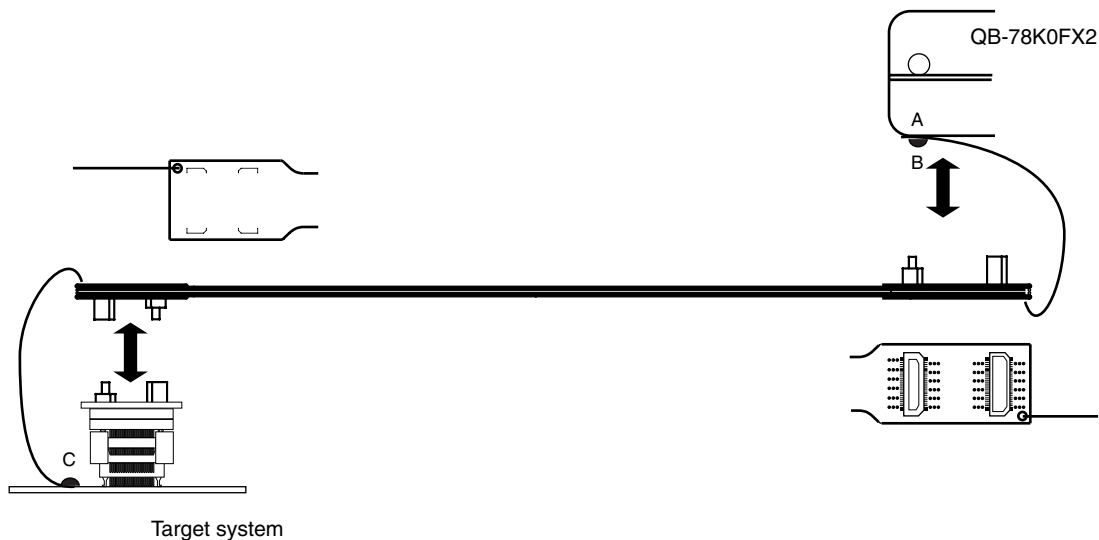
Insert CN1 and CN2 of the probe into TCN1 and TCN2 of the QB-78K0FX2.

(b) Connection of emulation probe GND wire

There are 2 GND wires in the emulation probe. Connect them to the QB-78K0FX2 and target system.

- <1> Fasten the GND wire on the QB-78K0FX2 side of the emulation probe to the nut on the bottom of the QB-78K0FX2 using a #0 or #1 Phillips precision driver (connection of B to A in Figure 2-6).
- <2> Next plug the connector on top of the emulation probe into the connector at the opening on the bottom of the QB-78K0FX2 from below being careful of the insertion direction.

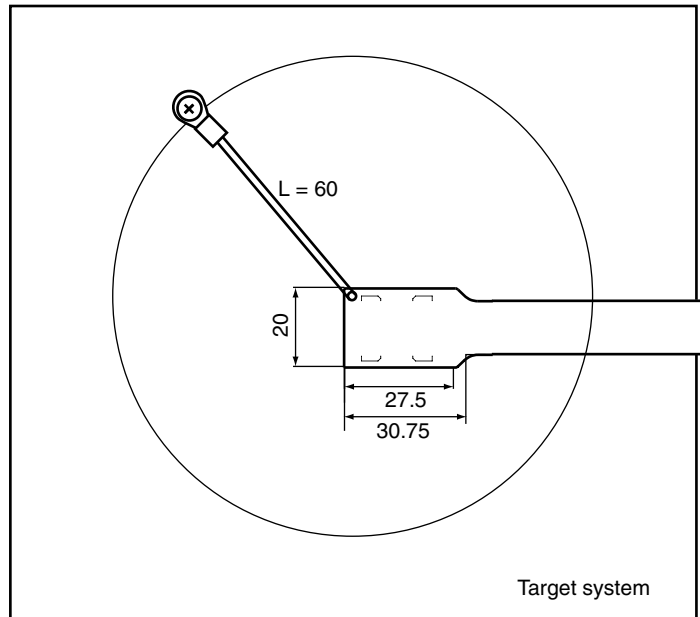
Figure 2-6. GND Wire



- <3> Connect the exchange adapter and emulation probe to the target connector.
- <4> Connect the GND wire on the target system side of the emulation probe to the target system GND. If a pin or screw is fastened to the target system GND, remove the transparent terminal cover on the end of the GND wire and fasten the Y terminal of the GND wire to the target system (C in Figure 2-6). If the GND on the target system is an exposed pad, likewise fasten the Y terminal to the pad on the target system by soldering (recommended soldering iron temperature setting: 300°C).

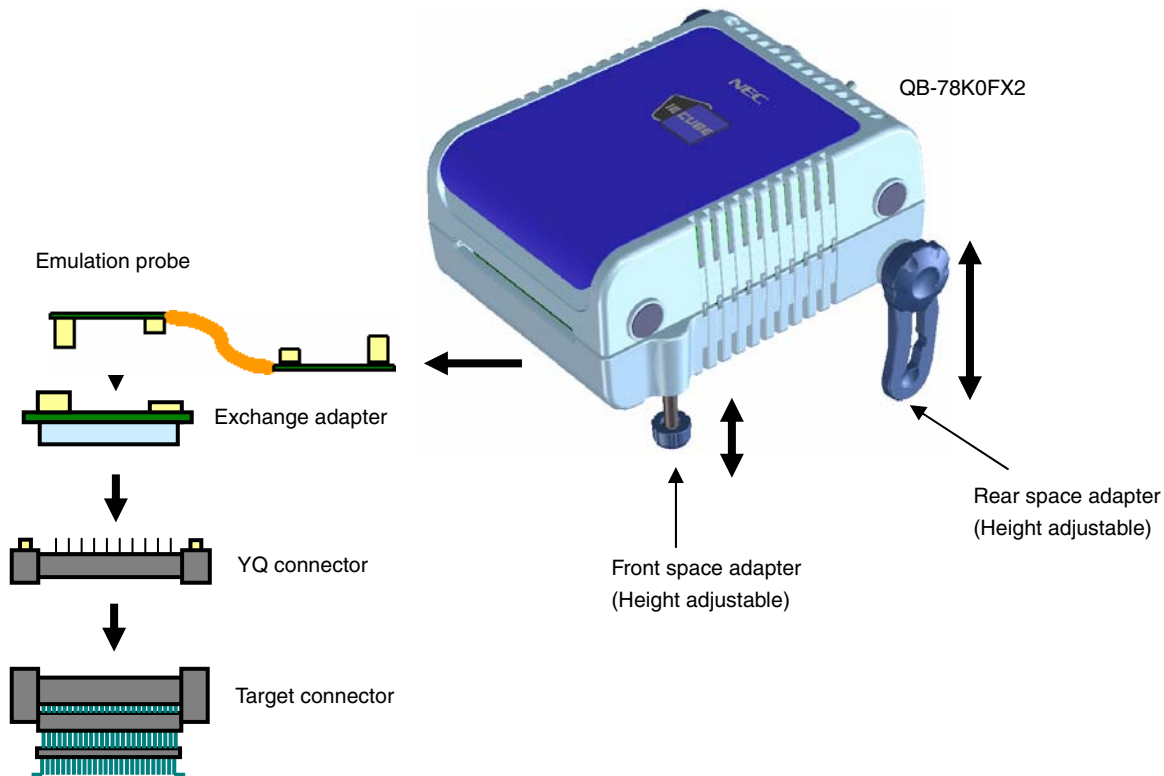
<5> Since the length of the GND wire below the head (insulated part) is approximately 60 mm, there must be a GND to which it can be connected to within the range of an approximately 60 mm radius section of the target system for connecting the emulation probe, as shown in Figure 2-7.

Figure 2-7. Where GND Wire Can Be Connected



(c) Ensuring isolation

When connecting the target system to the QB-78K0FX2 using an emulation probe, adjust the height using the front space adapter or rear space adapter of the QB-78K0FX2 and ensure isolation from the target system.

Figure 2-8. Connection Using Emulation Probe**(d) Precautions related to emulation probe**

The following precautions pertain to using the emulation probe.

- <1> Be careful that stress of the emulation probe is not placed on the target connector. Moreover, when removing the emulation probe, remove it slowly while pressing down on the exchange adapter with a finger so that there is no stress on the target connector.
- <2> Be sure to connect the GND wire of the emulation probe to the QB-78K0FX2 and the target system. If not, the impedance of the cable becomes unstable, resulting in the lowering of signal transmission characteristics or distortion of the output waveform for an input waveform.

2.7 Notes on Power Supply and GND Pin Connection

For power supplies and GND pins of the target device, be sure to connect all pins to each power supply or GND.

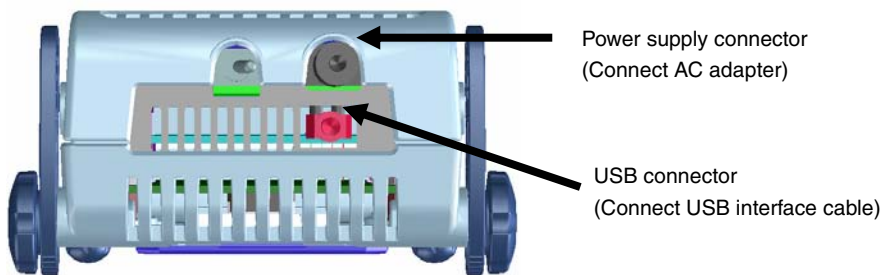
2.8 Connecting USB Interface Cable and AC Adapter

Plug the USB interface cable supplied with the QB-78K0FX2 into the USB connector of the host machine, and plug the other side into the USB connector on the rear of the QB-78K0FX2.

Plug the AC adapter supplied with the QB-78K0FX2 into a receptacle and plug the other side into the power supply connector on the rear of the QB-78K0FX2.

For QB-78K0FX2 connector positions, see **Figure 2-9**. There are three types of AC adapter plug. Use the one that has a suitable shape.

Figure 2-9. Connector Positions



Power supply connector
(Connect AC adapter)

USB connector
(Connect USB interface cable)

2.9 Switching Power On and Off

Be sure to switch the power on and off according to the following procedures.

- Switching power on

<1> QB-78K0FX2 power on

<2> Target system power on^{Note}

<3> Debugger startup

- Switching power off

<1> Debugger termination

<2> Target system power off^{Note}

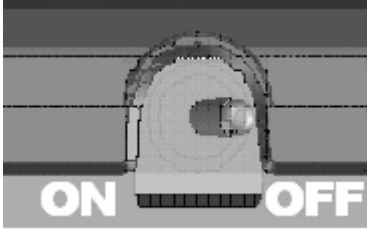
<3> QB-78K0FX2 power off

Note In the procedures, <2> is unnecessary if the target system is not connected.

Caution If the wrong sequence was used for the operation, the target system or QB-78K0FX2 may fail.

CHAPTER 3 SETTINGS AT PRODUCT SHIPMENT

Table 3-1. Settings at Shipment

Item	Setting	Remarks
OSC1	Not mounted	Oscillator can be mounted ^{Note} .
Power switch		Set to OFF at shipment.

Note The oscillation circuit using an oscillation cannot be used.

CHAPTER 4 DIFFERENCES BETWEEN TARGET INTERFACE CIRCUIT AND TARGET DEVICE

This chapter explains the differences between the signal lines of a target interface circuit of the QB-78K0FX2 and the signal lines of a target device

Although the target device is a CMOS circuit, the target interface circuit of the QB-78K0FX2 consists of an emulation circuit that depends on the emulation CPU, TTL, CMOS-IC, or other.

When the target system is debugged by connecting it to the QB-78K0FX2, the QB-78K0FX2 emulates just as if the actual target device were operating on the target system.

However, small differences arise because the QB-78K0FX2 actually is emulating.

- (1) Signals input and output by emulation CPU (FPGA, μ PD78F0893)
- (2) Other signals

The circuits of the QB-78K0FX2 for the signals in (1) and (2) above are shown below by target device.

4.1 For 78K0/FC2 Emulation

For the signals in (1) and (2) below, see **Figure 4-1 Emulation Circuit Equivalent Circuit 1**.

(1) Signals input and output by emulation CPU (FPGA, μ PD78F0893)

- P06^{Note}, P01, P00
- P17 to P10
- P33 to P30
- P41, P40
- P63 to P60^{Note}
- P73 to P70
- P87 to p80
- P90^{Note}
- P120
- P131^{Note}, P130
- X2, XT2, $\overline{\text{RESET}}$, V_{SS} , FLMD0

Note P06, P63, P90, and P131 are only for μ PD78F0884, 78F0885, 78F0886.

(2) Other signals

- V_{DD} , AV_{SS} , AV_{REF}

Figure 4-1. Emulation Circuit Equivalent Circuit 1 (1/2)

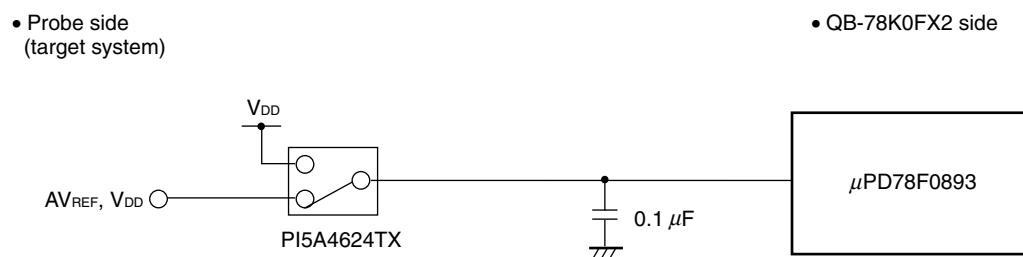
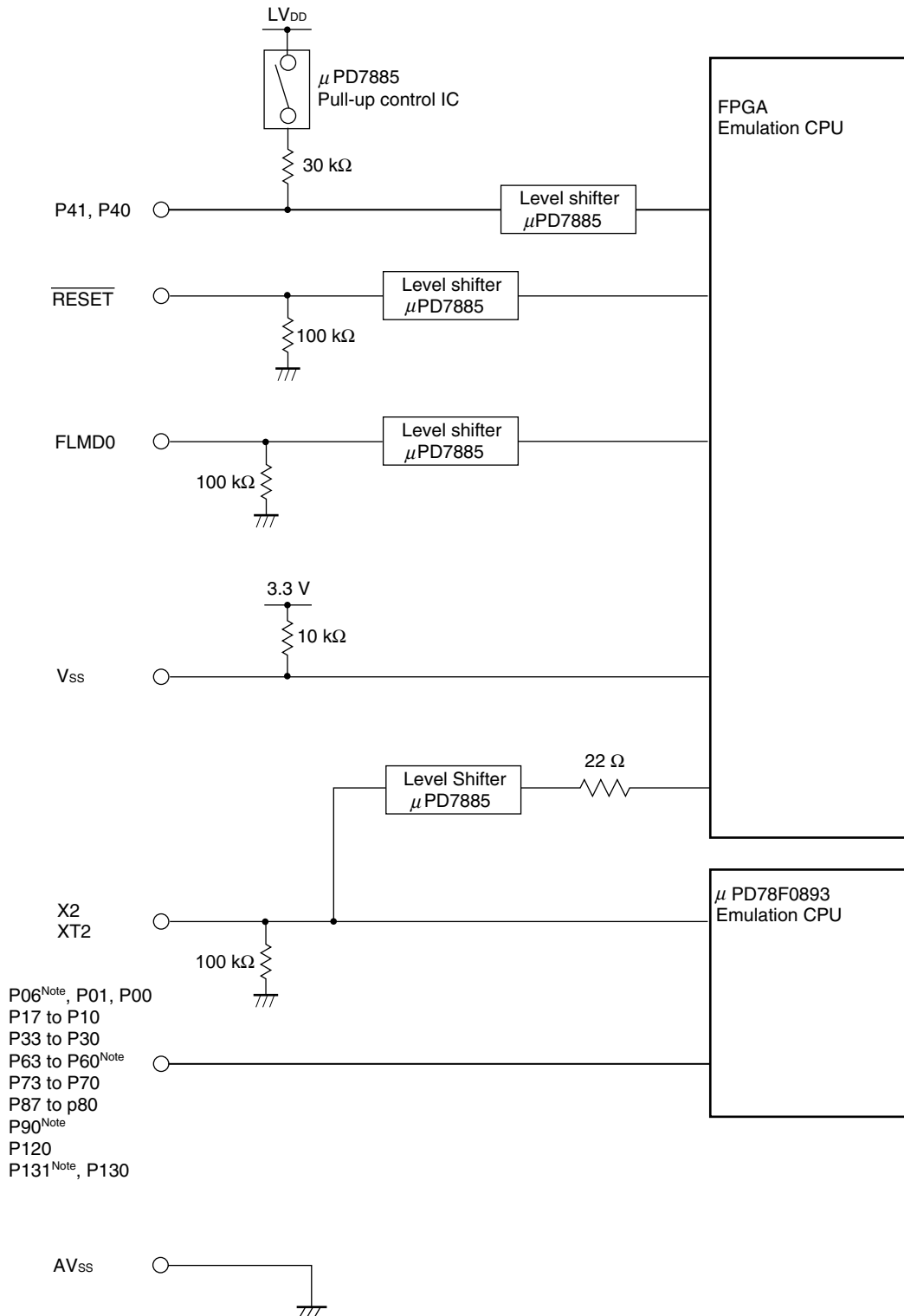


Figure 4-1. Emulation Circuit Equivalent Circuit 1 (2/2)

• Probe side
(target system)

• QB-78K0FX2 side



Note P06, P63, P90, and P131 are only for $\mu\text{PD78F0884}$, 78F0885, 78F0886.

4.2 For 78K0/FE2 Emulation

For the signals in (1) and (2) below, see **Figure 4-2 Emulation Circuit Equivalent Circuit 2**.

(1) Signals input and output by emulation CPU (FPGA, μ PD78F0893)

- P06, P05, 01, P00
- P17 to P10
- P33 to P30
- P43 to P40
- P53 to P50
- P63 to P60
- P76 to P70
- P87 to P80
- P93 to P90
- P120
- P132 to P130
- X2, XT2, $\overline{\text{RESET}}$, V_{SS} , FLMD0

(2) Other signals

- V_{DD} , EV_{SS} , EV_{DD} , AV_{SS} , AV_{REF}

Figure 4-2. Emulation Circuit Equivalent Circuit 2 (1/2)

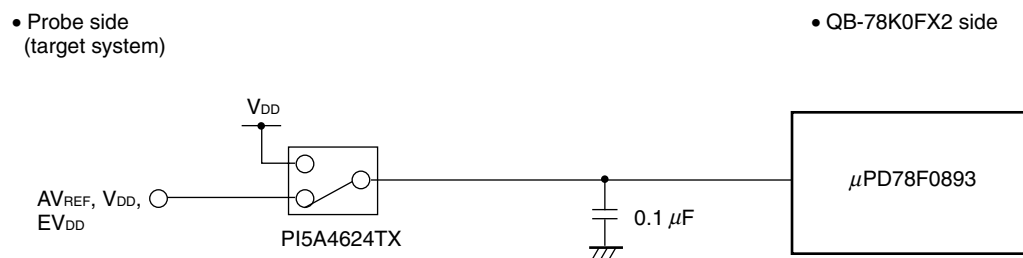
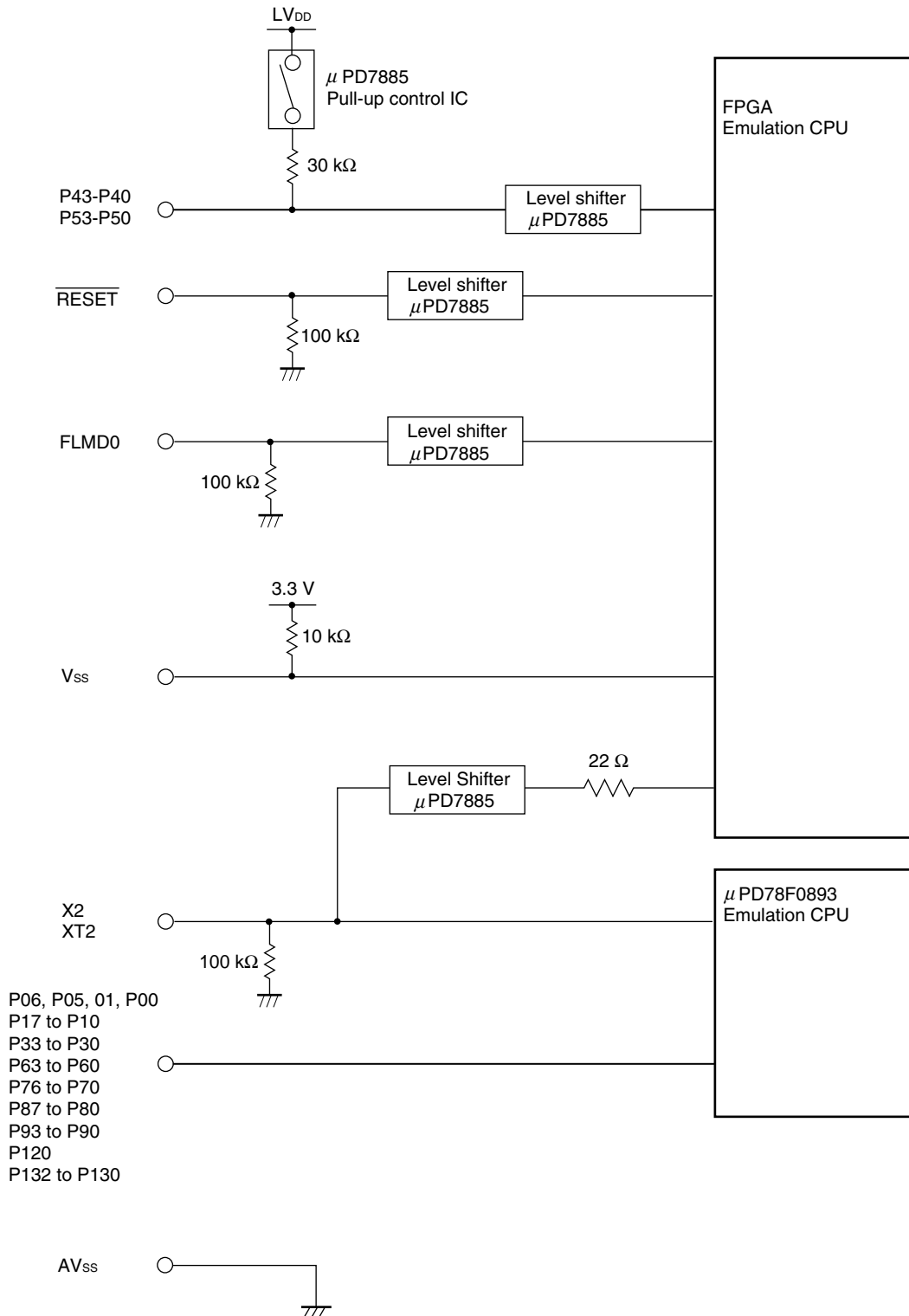


Figure 4-2. Emulation Circuit Equivalent Circuit 2 (2/2)

• Probe side
(target system)

• QB-78K0FX2 side



4.3 For 78K0/FF2 Emulation

For the signals in (1) and (2) below, see **Figure 4-3 Emulation Circuit Equivalent Circuit 3**.

(1) Signals input and output by emulation CPU (FPGA, μ PD78F0893)

- P06, P05, P01, P00
- P17 to P10
- P33 to P30
- P47 to P40
- P57 to P50
- P67 to P60
- P76 to P70
- P87 to P80
- P97 to P90
- P124 to P120
- P132 to P130
- X2, XT2, $\overline{\text{RESET}}$, V_{SS} , FLMD0

(2) Other signals

- V_{DD} , EV_{SS} , EV_{DD} , AV_{SS} , AV_{REF}

Figure 4-3. Emulation Circuit Equivalent Circuit 3 (1/2)

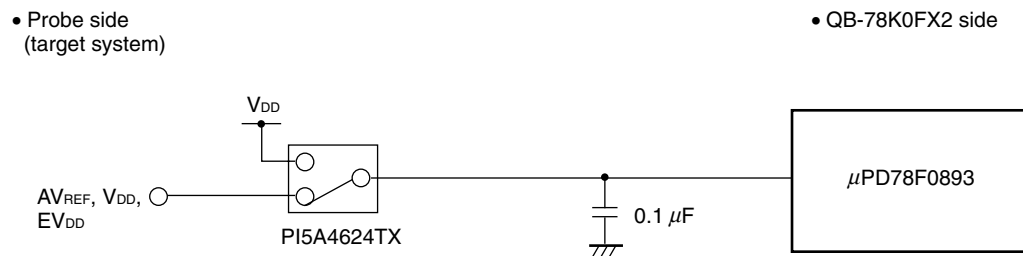
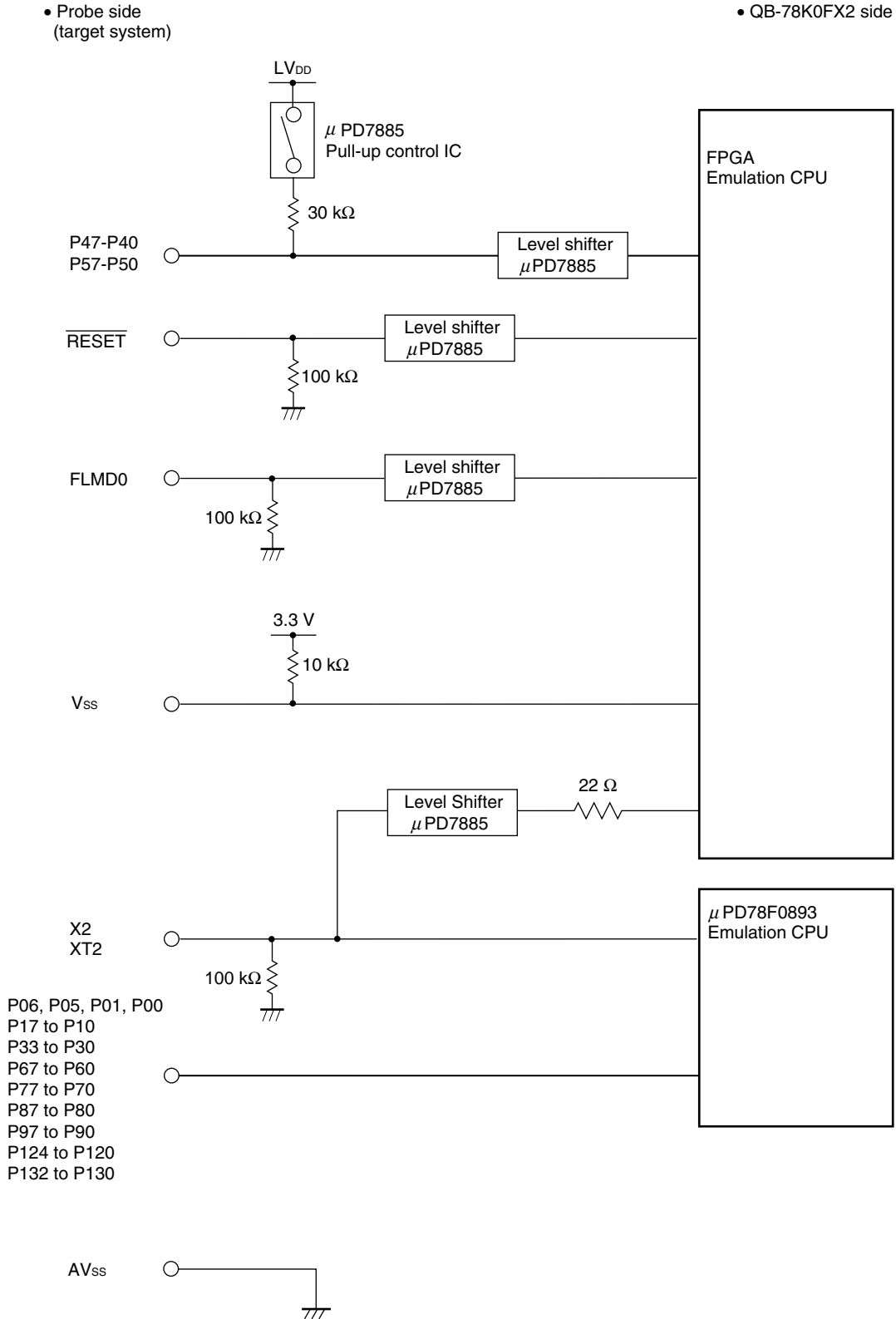


Figure 4-3. Emulation Circuit Equivalent Circuit 3 (2/2)



CHAPTER 5 NOTES

Observe the following notes.

- Do not turn off the target power supply (do not allow it to become lower than the POC voltage) during a break (power supply can be turned off only during RUN).
- Even when using the product without connecting a target system, connect and use the emulation probe and exchange adapter.

If the product is used without connecting the emulation adapter and exchange adapter, a warning window is displayed but use is possible.

CHAPTER 6 RESTRICTIONS

About a restriction matter, please refer to QB-78K0FX2 Operating Precautions.

APPENDIX A REVISION HISTORY

The following table shows the revision history up to this edition. The “Applied to:” column indicates the chapters of each edition in which the revision was applied.

Edition	Major Revision from Previous Edition	Applied to:
2nd edition	Deletion of 1.3.1 AC adapter	CHAPTER 1 GENERAL
	Addition of APPENDIX C REVISION HISTORY	APPENDIX C REVISION HISTORY
3rd edition	Modification of 1. Circumstances not covered by product guarantee	General Precautions for Handling This Product
	Modification of Figure 1-1. System Configuration	CHAPTER 1 GENERAL
	Modification of 1. 4 Package Contents	
	Addition of 1. 5 AC Adapter for IECUBE	
	Deletion of APPENDIX A NOTES ON TARGET SYSTEM DESIGN	-
	Deletion of APPENDIX B PACKAGE DRAWINGS	-

*For further information,
please contact:*

NEC Electronics Corporation
1753, Shimonumabe, Nakahara-ku,
Kawasaki, Kanagawa 211-8668,
Japan
Tel: 044-435-5111
<http://www.necel.com/>

[America]

NEC Electronics America, Inc.
2880 Scott Blvd.
Santa Clara, CA 95050-2554, U.S.A.
Tel: 408-588-6000
800-366-9782
<http://www.am.necel.com/>

[Europe]

NEC Electronics (Europe) GmbH
Arcadiastrasse 10
40472 Düsseldorf, Germany
Tel: 0211-65030
<http://www.eu.necel.com/>

Hanover Office
Podbielskistrasse 166 B
30177 Hannover
Tel: 0 511 33 40 2-0

Munich Office
Werner-Eckert-Strasse 9
81829 München
Tel: 0 89 92 10 03-0

Stuttgart Office
Industriestrasse 3
70565 Stuttgart
Tel: 0 711 99 01 0-0

United Kingdom Branch
Cygnus House, Sunrise Parkway
Linford Wood, Milton Keynes
MK14 6NP, U.K.
Tel: 01908-691-133

Succursale Française
9, rue Paul Dautier, B.P. 52
78142 Velizy-Villacoublay Cédex
France
Tel: 01-3067-5800

Sucursal en España
Juan Esplandiú, 15
28007 Madrid, Spain
Tel: 091-504-2787

Tyskland Filial
Täby Centrum
Entrance S (7th floor)
18322 Täby, Sweden
Tel: 08 638 72 00

Filiale Italiana
Via Fabio Filzi, 25/A
20124 Milano, Italy
Tel: 02-667541

Branch The Netherlands
Steijgerweg 6
5616 HS Eindhoven
The Netherlands
Tel: 040 265 40 10

[Asia & Oceania]

NEC Electronics (China) Co., Ltd
7th Floor, Quantum Plaza, No. 27 ZhiChunLu Haidian
District, Beijing 100083, P.R.China
Tel: 010-8235-1155
<http://www.cn.necel.com/>

Shanghai Branch
Room 2509-2510, Bank of China Tower,
200 Yincheng Road Central,
Pudong New Area, Shanghai, P.R.China P.C:200120
Tel:021-5888-5400
<http://www.cn.necel.com/>

Shenzhen Branch
Unit 01, 39/F, Excellence Times Square Building,
No. 4068 Yi Tian Road, Futian District, Shenzhen,
P.R.China P.C:518048
Tel:0755-8282-9800
<http://www.cn.necel.com/>

NEC Electronics Hong Kong Ltd.
Unit 1601-1613, 16/F., Tower 2, Grand Century Place,
193 Prince Edward Road West, Mongkok, Kowloon, Hong Kong
Tel: 2886-9318
<http://www.hk.necel.com/>

NEC Electronics Taiwan Ltd.
7F, No. 363 Fu Shing North Road
Taipei, Taiwan, R. O. C.
Tel: 02-8175-9600
<http://www.tw.necel.com/>

NEC Electronics Singapore Pte. Ltd.
238A Thomson Road,
#12-08 Novena Square,
Singapore 307684
Tel: 6253-8311
<http://www.sg.necel.com/>

NEC Electronics Korea Ltd.
11F., Samik Lavied'or Bldg., 720-2,
Yeoksam-Dong, Kangnam-Ku,
Seoul, 135-080, Korea
Tel: 02-558-3737
<http://www.kr.necel.com/>