

PLEASE CHECK WWW.MOLEX.COM FOR LATEST PART INFORMATION

Part Number: **0476281212**
Status: **Active**
Overview: slimline serial ata odd connectors
Description: 1.00mm(.039"), 1.27mm (.050") Pitch Slimline Serial ATA Plug for Optical Disk Drive, Vertical, Through hole, Bottom Mount, 0.10µm (4µ") Gold (Au) Plating, with Beveled Metal Pins, Lead-free

Documents:

[3D Model](#) [Product Specification PS-47628-001 \(PDF\)](#)
[Drawing \(PDF\)](#) [RoHS Certificate of Compliance \(PDF\)](#)

Agency Certification

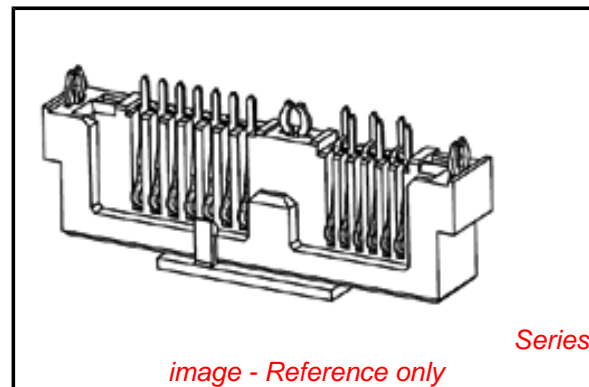
CSA LR 19980
 UL E29179

General

Product Family PCB Headers
 Series 47628
 Application Board-to-Board
 Comments Through Hole Type
 Overview [slimline serial ata odd connectors](#)
 Product Name Serial ATA, Slimline Serial ATA

Physical

Breakaway No
 Circuits (Loaded) 13
 Circuits (maximum) 13
 Durability (mating cycles max) 500
 First Mate / Last Break Yes
 Flammability 94V-0
 Glow-Wire Compliant No
 Guide to Mating Part Yes
 Keying to Mating Part Yes
 Lock to Mating Part No
 Material - Metal Copper Alloy
 Material - Plating Mating Gold
 Material - Plating Termination Tin
 Material - Resin High Temperature Thermoplastic
 Number of Rows 1
 Orientation Vertical
 PCB Locator Yes
 PCB Retention Yes
 Packaging Type Embossed Tape on Reel
 Pitch - Mating Interface (in) 0.039 In, 0.050 In
 Pitch - Mating Interface (mm) 1.00 mm, 1.27 mm
 Pitch - Term. Interface (in) 0.039 In, 0.050 In
 Pitch - Term. Interface (mm) 1.00 mm, 1.27 mm
 Plating min: Mating (µin) 4
 Plating min: Mating (µm) 0.10
 Plating min: Termination (µin) 39
 Plating min: Termination (µm) 1
 Polarized to Mating Part Yes
 Polarized to PCB Yes
 Stackable No
 Temperature Range - Operating -35°C to +85°C
 Termination Interface: Style Through Hole



EU RoHS

ELV and RoHS Compliant
REACH SVHC
 Not Reviewed
Halogen-Free Status

China RoHS



Need more information on product environmental compliance?

Email productcompliance@molex.com
 For a multiple part number RoHS Certificate of Compliance, [click here](#)

Please visit the [Contact Us](#) section for any non-product compliance questions.

Search Parts in this Series

47628Series

Mates With

476393x00 Slimline SATA Receptacle

Electrical

Current - Maximum per Contact

1.5A

Voltage - Maximum

15V DC

Material Info**Reference - Drawing Numbers**

Packaging Specification

PK-47628-012

Product Specification

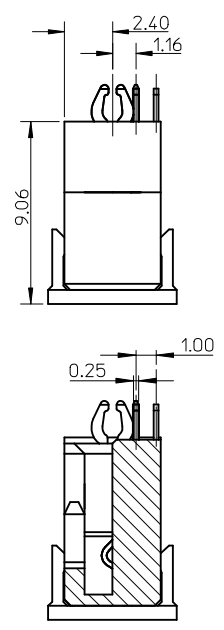
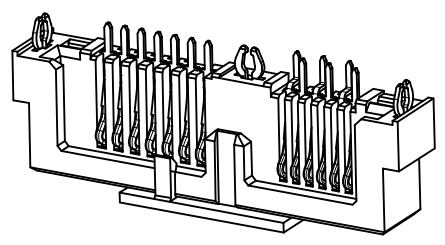
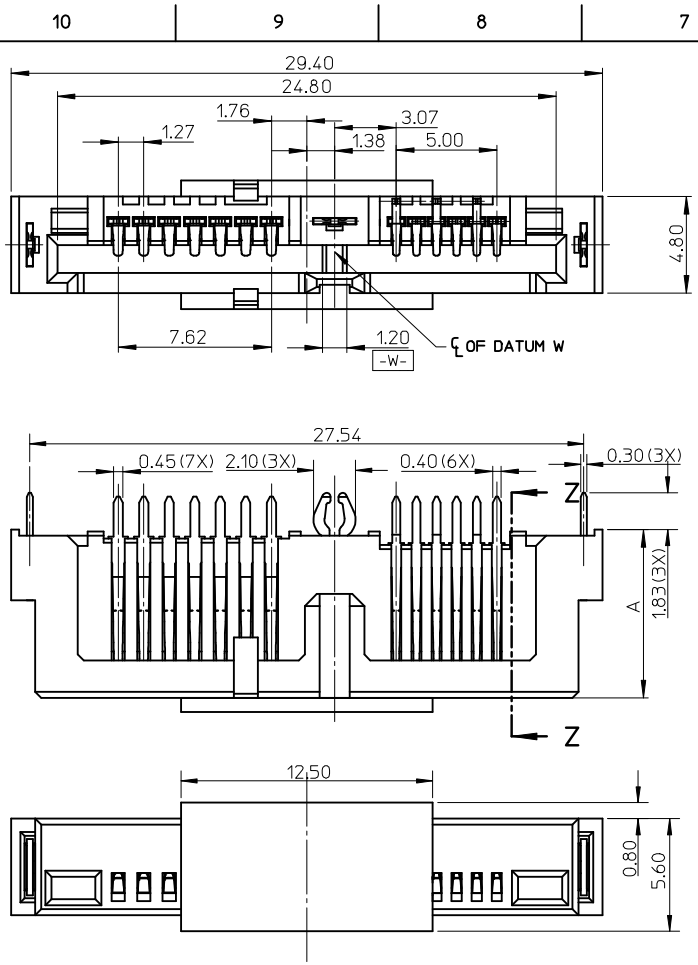
PS-47628-001

Sales Drawing

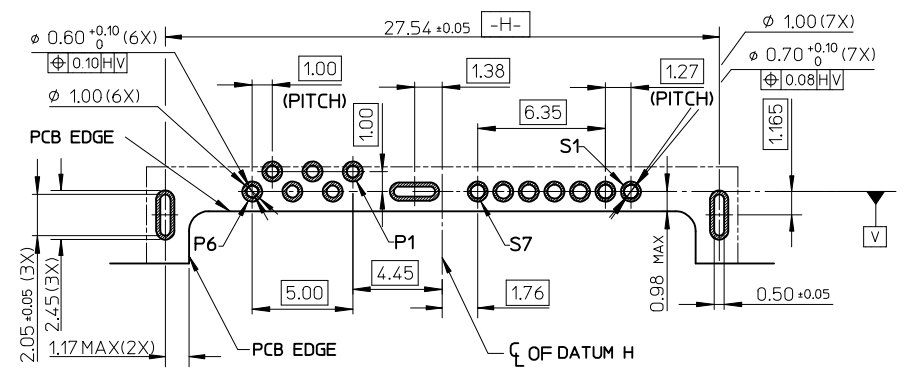
SD-47628-200, SD-47639-400

This document was generated on 05/26/2010

PLEASE CHECK WWW.MOLEX.COM FOR LATEST PART INFORMATION



- NOTES :
- MATERIAL :
 - HOUSING : HIGH TEMPERATURE THERMOPLASTIC, UL94V-0, BLACK
 - TERMINAL : COPPER ALLOY
 - FORKLOCK : COPPER ALLOY
 - PLATING :
 - TERMINAL :
 - CONTACT AREA : GOLD PLATING SPEC REFER TO CHART.
 - SOLDER AREA : TIN PLATING 1 MICRONS MIN.
 - UNDERPLATING : NICKEL PLATING 1.25 MICRONS MIN.
 - FORKLOCK :
 - TIN PLATING 1 MICRONS MIN. OVER NICKEL PLATING 1 MICRONS MIN.
 - PACKAGE: TAPE REEL, PK-47628-012.
 - PRODUCT SPEC: PS-47628-001.
 - THE PRODUCT COMPLIANT TO RoHS DIRECTIVES 2002/95/EC AND ELV 2000/53/EC.



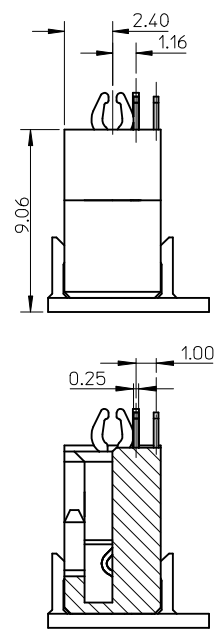
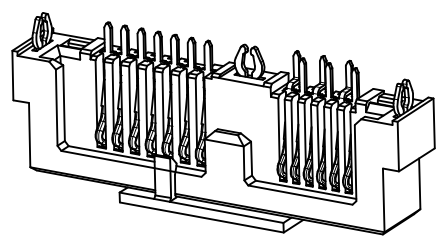
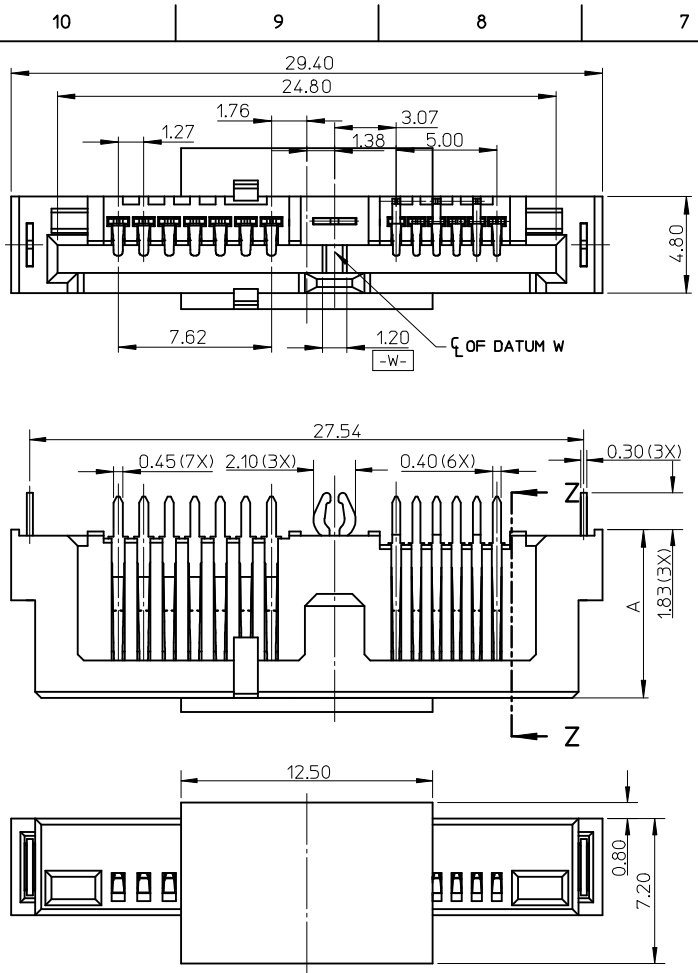
SECTION Z-Z

RECOMMENDED PCB LAYOUT (COMPONENT SIDE)

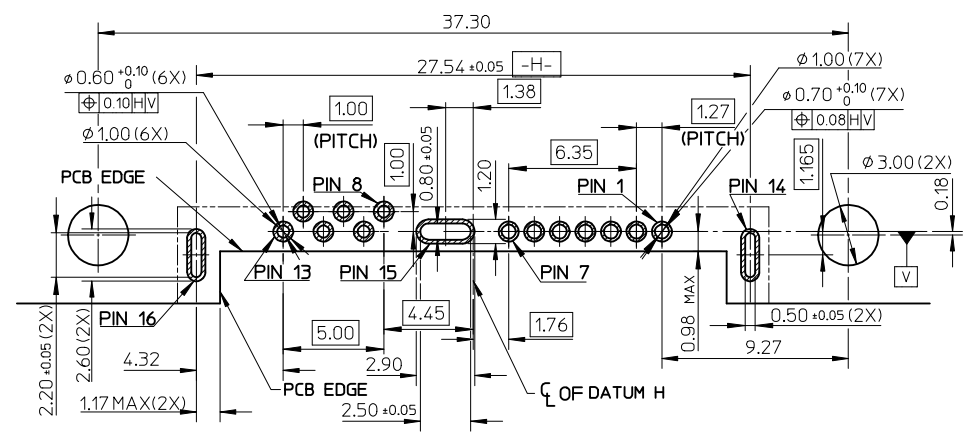
PCB THICKNESS = 1.2MM ± 0.05MM

P/N	CONTACT GOLD PLATING SPEC	DIM'A'
47628-1012	0.76 MICRONS MIN	8.36
47628-1112	0.38 MICRONS MIN	
47628-1212	0.10 MICRONS MIN	
N/A		8.56
N/A		8.76
N/A		8.96
N/A		9.16
N/A		9.36
N/A		9.56
N/A		9.76
N/A		9.96
N/A		10.16
N/A		10.36
N/A		10.56
N/A		10.76
N/A		10.96

REVISED EC NO: SH2010-0070 DRW: NIGLI CHK: XJ SONG APPR: RZHANG	QUALITY SYMBOLS ▽=0 ▽=0	GENERAL TOLERANCES (UNLESS SPECIFIED)		DIMENSION STYLE MM ONLY	SCALE 4:1	DESIGN UNITS METRIC	THIRD ANGLE PROJECTION		
		4 PLACES ± --- ± --- 3 PLACES ± --- ± --- 2 PLACES ± 0.15 ± --- 1 PLACE ± 0.25 ± ---	mm INCH	DRAWN BY DIXON LI	DATE 2007/11/23	TITLE HEADER OF 2 PIECES SLIMLINE SATA VERTICAL, DIP TYPE			
		ANGULAR ± 3 °		CHECKED BY JOHNSON TIAN	DATE 2007/11/23	MOLEX INCORPORATED			
		DRAFT WHERE APPLICABLE MUST REMAIN WITHIN DIMENSIONS		APPROVED BY HARVEY WANG	DATE 2007/11/23	MATERIAL NO. SEE CHART	DOCUMENT NO. SD-47628-200	SHEET NO. 1 OF 1	



SECTION Z-Z



RECOMMENDED PCB LAYOUT (COMPONENT SIDE)

PCB THICKNESS = 1.2MM ± 0.05MM

- NOTES :
- MATERIAL :
HOUSING : HIGH TEMPERATURE THERMOPLASTIC, UL94V-0, BLACK
TERMINAL : COPPER ALLOY
FORKLOCK : COPPER ALLOY
 - PLATING :
TERMINAL :
CONTACT AREA : GOLD PLATING SPEC REFER TO CHART.
SOLDER AREA : MATTE TIN PLATING 1 MICRONS MIN.
UNDERPLATING : NICKEL PLATING 1.25 MICRONS MIN.
FORKLOCK :
MATTE TIN PLATING 1 MICRONS MIN. OVER NICKEL PLATING 1 MICRONS MIN.
 - PACKAGE: TAPE REEL, PK-47628-012.
 - PRODUCT SPEC: PS-47628-001.
 - THE PRODUCT COMPLIANT TO RoHS DIRECTIVES 2002/95/EC AND ELV 2000/53/EC.

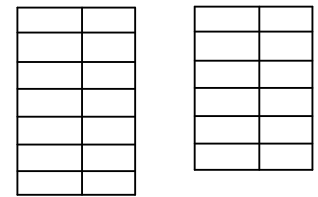
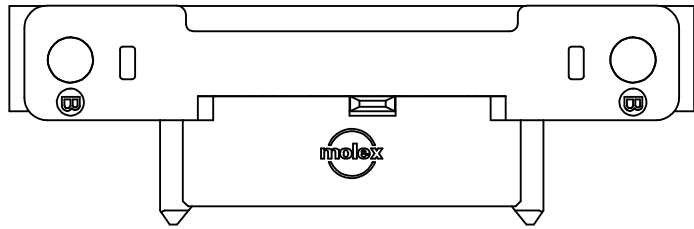
P/N	CONTACT GOLD PLATING SPEC	DIM'A'
47628-1012	0.76 MICRONS MIN	8.36
47628-1112	0.38 MICRONS MIN	
47628-1212	0.10 MICRONS MIN	
N/A		8.56
N/A		8.76
N/A		8.96
N/A		9.16
N/A		9.36
N/A		9.56
N/A		9.76
N/A		9.96
N/A		10.16
N/A		10.36
N/A		10.56
N/A		10.76
N/A		10.96

RTM EC NO: SH2010-0070 DRW: NIGLI CHK: XJ SONG APPR: RZHANG 2009/08/21 2009/08/21 2009/09/23	QUALITY SYMBOLS ▽=0 ▽=0	GENERAL TOLERANCES (UNLESS SPECIFIED)		DIMENSION STYLE MM ONLY	SCALE 4:1	DESIGN UNITS METRIC	THIRD ANGLE PROJECTION		
		4 PLACES ± --- ± --- 3 PLACES ± --- ± --- 2 PLACES ± 0.15 ± --- 1 PLACE ± 0.25 ± ---	mm INCH	DRAWN BY DIXON LI	DATE 2008/11/27	TITLE 2 PIECES SLIMLINE SATA BOTTOM MOUNT TYPE (HEADER)			
		ANGULAR ± 3°		CHECKED BY STARY SONG	DATE 2008/11/27	MOLEX INCORPORATED			
		DRAFT WHERE APPLICABLE MUST REMAIN WITHIN DIMENSIONS		APPROVED BY HARVEY WANG	DATE 2008/11/27	MATERIAL NO. SEE CHART	DOCUMENT NO. SD-47639-400	SHEET NO. 1 OF 2	

THIS DRAWING CONTAINS INFORMATION THAT IS PROPRIETARY TO MOLEX INCORPORATED AND SHOULD NOT BE USED WITHOUT WRITTEN PERMISSION

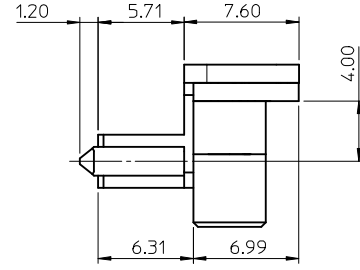
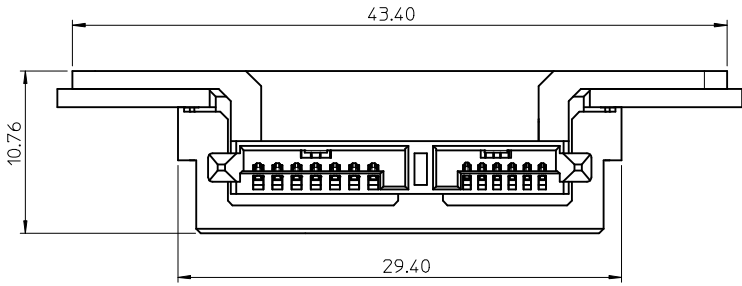
10 9 8 7 6 5 4 3 2 1

F



F

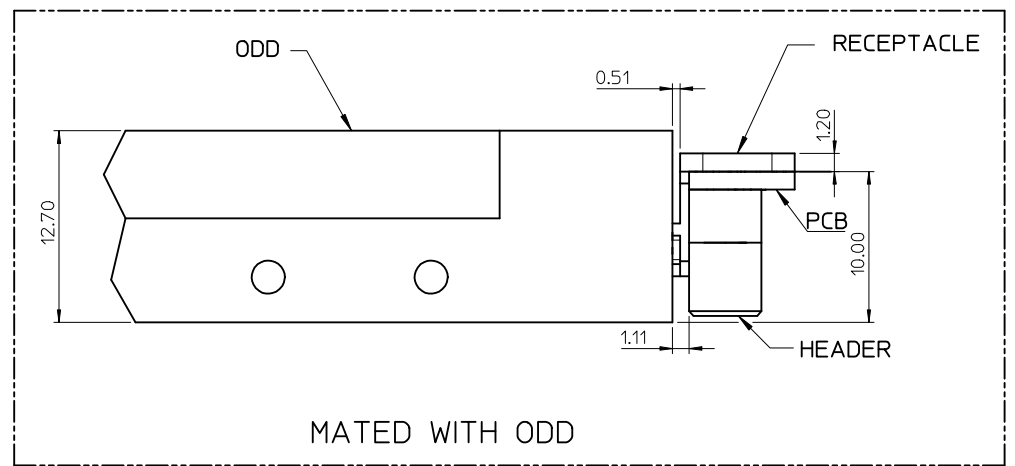
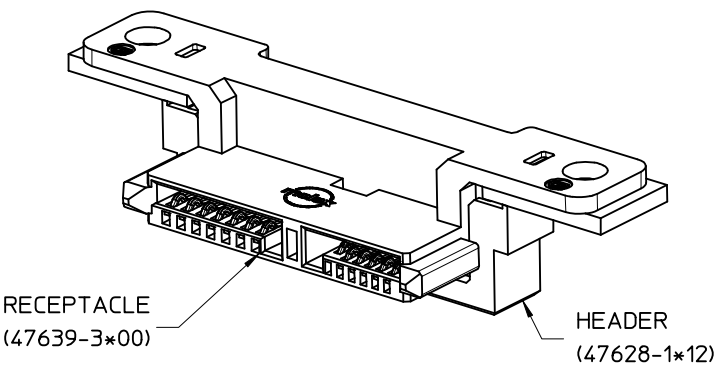
E



E

D

C



D

C

B

B

A

A

RTM EC NO: SH2010-0070 DRWG:GLL 2009/08/21 CHKD:XJSONG 2009/08/21 APPR:RZHANG 2009/09/23	QUALITY SYMBOLS	GENERAL TOLERANCES (UNLESS SPECIFIED)		DIMENSION STYLE MM ONLY		SCALE 3:1	DESIGN UNITS METRIC	THIRD ANGLE PROJECTION
	▼=0 ◻=0	4 PLACES ± --- ± --- 3 PLACES ± --- ± --- 2 PLACES ± 0.15 ± --- 1 PLACE ± 0.25 ± --- ANGULAR ± 3 °	mm INCH ± --- ± --- ± 0.15 ± --- ± 0.25 ± ---	DRAWN BY DATE DIXON LI 2008/11/27 CHECKED BY DATE STARY SONG 2008/11/27 APPROVED BY DATE HARVEY WANG 2008/11/27	TITLE 2 PIECES SLIMLINE SATA BOTTOM MOUNT TYPE (ASSEMBLY)		MOLEX INCORPORATED DOCUMENT NO. SD-47639-400	SHEET NO. 2 OF 2
	DRAFT WHERE APPLICABLE MUST REMAIN WITHIN DIMENSIONS		SEE REMARK	THIS DRAWING CONTAINS INFORMATION THAT IS PROPRIETARY TO MOLEX INCORPORATED AND SHOULD NOT BE USED WITHOUT WRITTEN PERMISSION				
	REV	DESCRIPTION			SIZE A3			

9 8 7 6 5 4 3 2 1