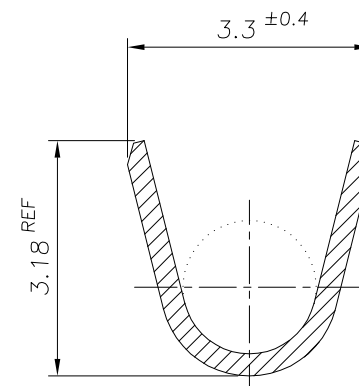
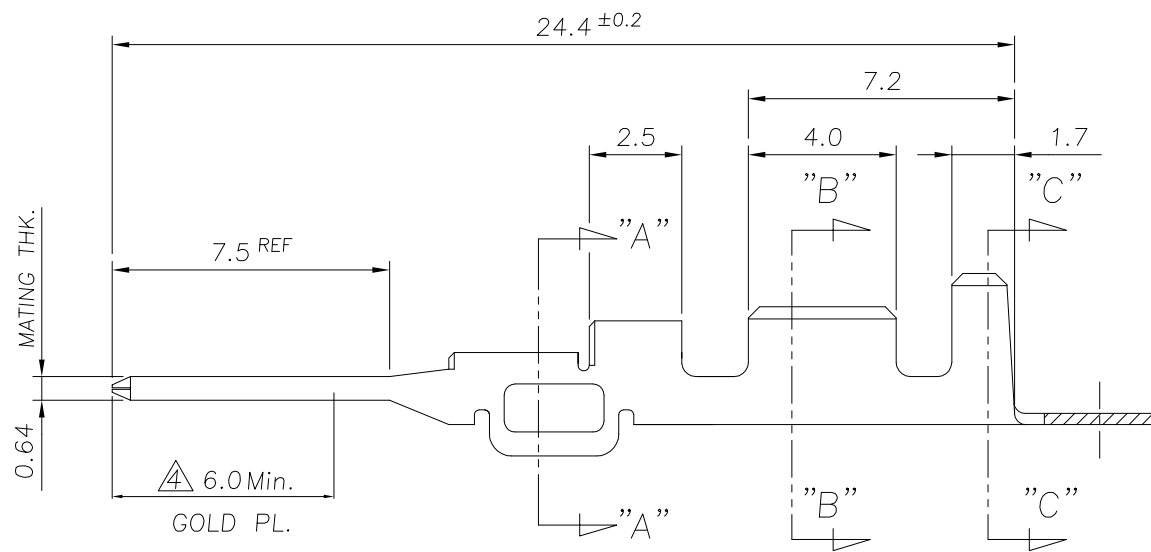
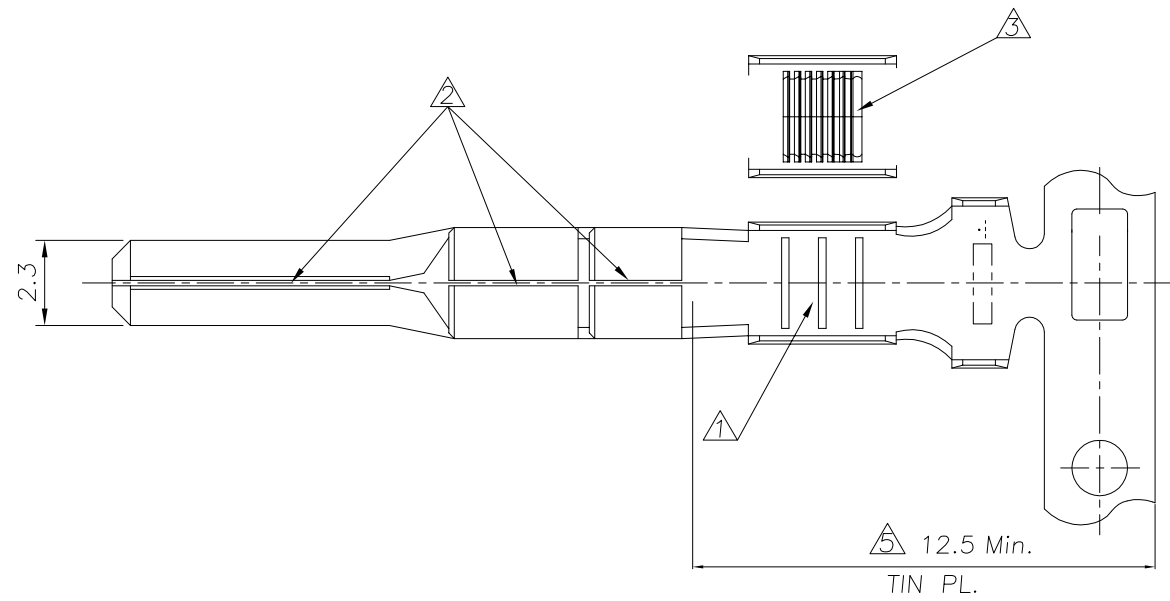
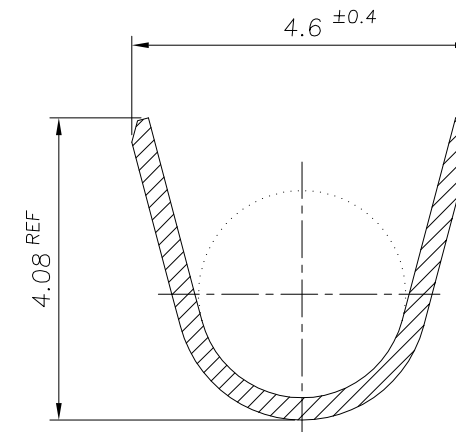


LOC	DIST	REVISIONS					
		P	LTR	DESCRIPTION	DATE	DWN	APVD
DS	-		B1	REVISED (ECR-12-003220)	24.FEB.'12	KT	HG
			B2	REVISED (ECR-16-008993/ECO-16-009207)	24.FEB.'12	KT,J	KT,L



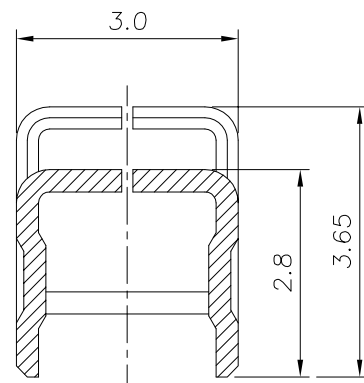
SECTION "B-B"
SCALE=10/1



SECTION "C-C"
SCALE=10/1

NOTES

- ▲ THREE SERRATION CENTERED IN WIRE BARREL
- ▲ 0.15 MAX GAP PERMISSIBLE
- ▲ SEVEN SERRATION CENTERED IN WIRE BARREL



SECTION "A-A"
SCALE=10/1

▲	ALUMINUM 0.75 SQ	PRE-TINNED	BRASS STRIP 0.3THK	9-368087-1
▲	0.85~1.25 SQ (B2)	▲▲ SELECTIVE GOLD/TIN	BRASS STRIP 0.3THK	1-368087-1
▲	0.85~1.25 SQ (B2)	PRE-TINNED	BRASS STRIP 0.3THK	368087-1
	WIRE RANGE	FINISH	MATERIAL	PART NUMBER

DIMENSIONS: MM		TOLERANCES UNLESS OTHERWISE SPECIFIED:		DWN KT JUNG		CHK KT JUNG		APVD KT LIM		NAME	
		0 <XX<10 ± 0.2 10<XX<30 ± 0.25 ANGLES ± 3°		PRODUCT SPEC 108-61021		APPLICATION SPEC 114-61004		WEIGHT A3		SIZE CAGE CODE DRAWING NO 3 00779 C-368087	
MATERIAL SEE TABLE		FINISH SEE TABLE		CUSTOMER DRAWING		SCALE 5/1		SHEET 1 OF 1		REV B2	



.090II MLC TAB CONTACT