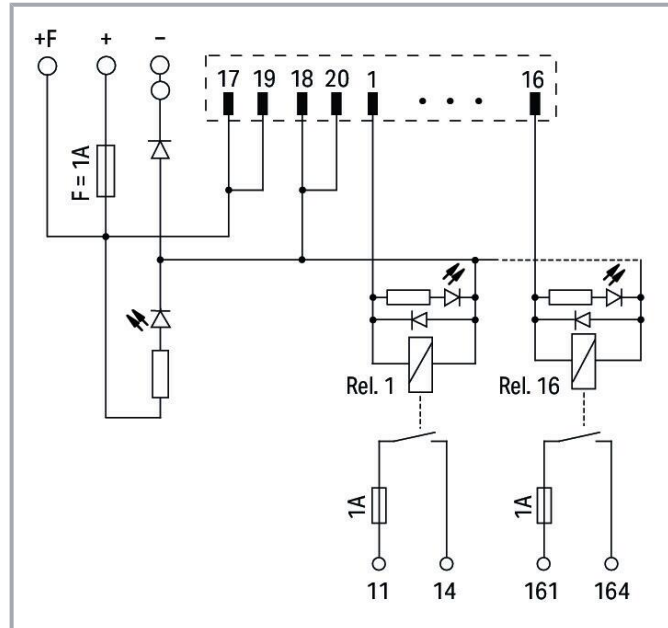
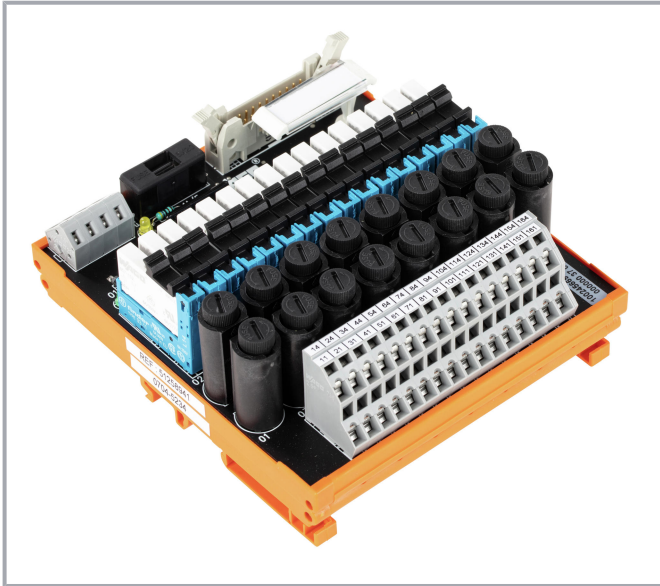


Data sheet | Item number: 704-5234

Interface module for system wiring; Pluggable connector per DIN 41651; Male connector; 20-pole; 16-channel relay output; 1 make contact; Double-deck PCB terminal blocks; with output fuse; in mounting carrier



www.wago.com/704-5234



Data

Electrical data

Inputs/outputs	16-channel relay output
Nominal operating voltage	DC 24 V
Operating voltage range	±10 %
Number of make/switch-on contacts	1
Limiting continuous current	1 A
Switching voltage (max.)	AC 250 V; DC 48 V
Switching power (resistive) (max.)	AC 1250 VA; DC 50 W
Mechanical life	10 x 10 ⁶ switching operations
Status indicator	Green LED (channel) Yellow LED (power supply)
WAGO Basic Relay	857-152
Specialty functions	with output fuse

Subject to changes. Please also observe the further product documentation!

WAGO GmbH & Co. KG
Hansastr. 27
32423 Minden
Phone: +49571 887-0 | Fax: +49571 887-169
Email: info.de@wago.com | Web: www.wago.com

Do you have any questions about our products?
We are always happy to take your call at +49 (571) 887-44222.



Safety and protection

Rated voltage	50 V
Rated surge voltage	0.8 kV
Pollution degree	2
Dielectric strength, control/load circuit (AC, 1 min)	4 kVrms
Dielectric strength, load/load circuit (AC, 1 min)	1 kVrms

Connection data

Compatible PLC Modules	Siemens S7-300 Siemens S7-400 Siemens S7-1500 GE Fanuc 9030 GE Fanuc RX3i Schneider Modicon TM3 Schneider TSX Schneider Twido Schneider Modicon M340 Schneider Modicon Quantum Rockwell Compact Logix Rockwell Control Logix WAGO I/O System 753 WAGO I/O System 750 Omron CJ1W
Compatible PLC I/O Card Types	6ES7 313-5BE01-0AB0 6ES7 313-5BG04-0AB0 6ES7 313-6BE01-0AB0 6ES7 313-6BF03-0AB0 6ES7 313-6CE01-0AB0 6ES7 313-6CF03-0AB0 6ES7 314-6BF01-0AB0 6ES7 314-6BG03-0AB0 6ES7 314-6CF01-0AB0 6ES7 314-6CG03-0AB0 6ES7 322-1BH01-0AA0 6ES7 322-1BH10-0AA0 6ES7 322-1BH80-0AA0 6ES7 322-1BL00-0AA0 6ES7 322-1BP00-0AA0 6ES7 322-1EH01-0AA0 6ES7 322-8BH01/8BH10-0AB0 6ES7 323-1BL00-0AA0 6ES7 422-1BL00-0AA0 6ES7 511-1CK00-0AB0

Subject to changes. Please also observe the further product documentation!

WAGO GmbH & Co. KG
 Hansastr. 27
 32423 Minden
 Phone: +49571 887-0 | Fax: +49571 887-169
 Email: info.de@wago.com | Web: www.wago.com

Do you have any questions about our products?
 We are always happy to take your call at +49 (571) 887-44222.



6ES7 512-1CK00-0AB0
6ES7 522-1BH00-0AB0
6ES7 522-1BH01-0AB0
6ES7 522-1BH10-0AA0
6ES7 522-1BL00-0AB0
6ES7 522-1BL01-0AB0
6ES7 522-1BL10-0AA0
6ES7 523-1BL00-0AA0
IC693 MDL740
IC693 MDL742
IC693 MDL753
IC694 MDL753
TM3 DQ16T(G)
TM3 DQ16TK
TM3 DQ32TK
TSX DSZ 32T2
TSX DMZ 28DT
TSX DMZ 28DTK
TSX DMZ 64DTK
TSX DSY 16T2
TSX DSY 32T2K
TSX DSY 64T2K
TSX DMY 28FK
TSX DMY 28RFK
TM2 DDO 16TK
TM2 DDO 32TK
BMX DDO 1602
BMX DDO 3202K
BMX DDO 6402K
BMX DDM 3202K
140 DDO 353 00
140 DDO 353 01
140 DDO 364 00
140 DVO 853 00
1769 - OB16
1769 - OB16P
1769 - OB32
1769 - OB32T
1756 - OB16E
1756 - OB32
753-530 (x2)
750-1500
CJ1W-OD212
CJ1W-OD232
CJ1W-OD262
CJ1W-MD232

Connection type (1)	System
Pole number 1	20

Subject to changes. Please also observe the further product documentation!

WAGO GmbH & Co. KG
Hansastr. 27
32423 Minden
Phone: +49571 887-0 | Fax: +49571 887-169
Email: info.de@wago.com | Web: www.wago.com

Do you have any questions about our products?
We are always happy to take your call at +49 (571) 887-44222.



Pluggable connectors	DIN 41651 male connector
Mating direction	vertical
Connection type 2	Field
Pole number 2	32
Design 2	PCB terminal blocks (double-deck)
WAGO Connector 2	WAGO 736 Series
Solid conductor 2	0.08 ... 2.5 mm ² / 28 ... 12 AWG
Fine-stranded conductor 2	0.08 ... 2.5 mm ² / 28 ... 12 AWG
Strip length 2	5 ... 6 mm / 0.2 ... 0.24 inch
Connection type (3)	Supply
Pole number 3	4
Design 3	PCB terminal blocks
WAGO Connector 3	WAGO 236 Series
Solid conductor 3	0.08 ... 2.5 mm ² / 28 ... 12 AWG
Fine-stranded conductor (3)	0.08 ... 2.5 mm ² / 28 ... 12 AWG
Strip length 3	5 ... 6 mm / 0.2 ... 0.24 inch
Note (conductor cross-section)	12 AWG: THHN, THWN

Physical data

Width	115 mm / 5.133 inch
Height	125 mm / 4.921 inch
Depth from upper edge of DIN-rail	50 mm / 1.969 inch

Mechanical data

Mounting type	DIN-35 rail
---------------	-------------

Material data

Contact material (relay)	AgSnO ₂
Fire load	0.613 MJ
Weight	393.4 g

Environmental requirements

Surrounding air temperature (operation)	-25 ... 40 °C
Surrounding air temperature (storage)	-40 ... 70 °C
Relative humidity	85% (non-condensing)

Subject to changes. Please also observe the further product documentation!



Commercial data

PU (SPU)	1 Stück
Packaging type	box
Country of origin	DE
GTIN	4055143982733
Customs tariff number	85369010000

Downloads

Documentation

System Description

WAGO System Wiring, Selection Guide	pdf	Download
This guide will help you select the appropriate interface modules and system cables for the controller you are using.	545.9 kB	

Environmental Product Compliance

Compliance Search

Environmental Product Compliance 704-5234	URL	Download
Interface module for system wiring; Pluggable connector per DIN 41651; Male connector; 20-pole; 16-channel relay output; 1 make contact; Double-deck PCB terminal blocks; with output fuse; in mounting carrier		

Installation Notes

Subject to changes. Please also observe the further product documentation!

WAGO GmbH & Co. KG
Hansastr. 27
32423 Minden
Phone: +49571 887-0 | Fax: +49571 887-169
Email: info.de@wago.com | Web: www.wago.com

Do you have any questions about our products?
We are always happy to take your call at +49 (571) 887-44222.