

Low Voltage, Stereo CODEC with Headphone Amp

Features

- 28-Pin CASON package
- 1.8 to 3.3 Volt supply
- 24-Bit conversion / 96 kHz sample rate
- 96 dB ADC/DAC dynamic range at 3 V supply
- -88/-85 dB ADC/DAC THD+N
- 19 mW playback power consumption @ 1.8 V
- Microphone or Line input amplifier with up to 32dB of gain
- 2:1 stereo mux
- Digital volume control on inputs and outputs
 - 96 dB attenuation, 1 dB step size
- Digital bass and treble boost on outputs
 - Selectable corner frequencies
- Dynamic range compression and limiting
- De-emphasis for 32 kHz, 44.1 kHz, and 48 kHz
- Headphone amplifier
 - 26 mW power output into 16 W load @ 3.0V supply
 - -80 dB THD+N
 - 34 dB analog attenuation and mute
- ATAPI mixing functions

Description

The CS42L50 is a highly integrated, 24-bit, 96 kHz audio codec.

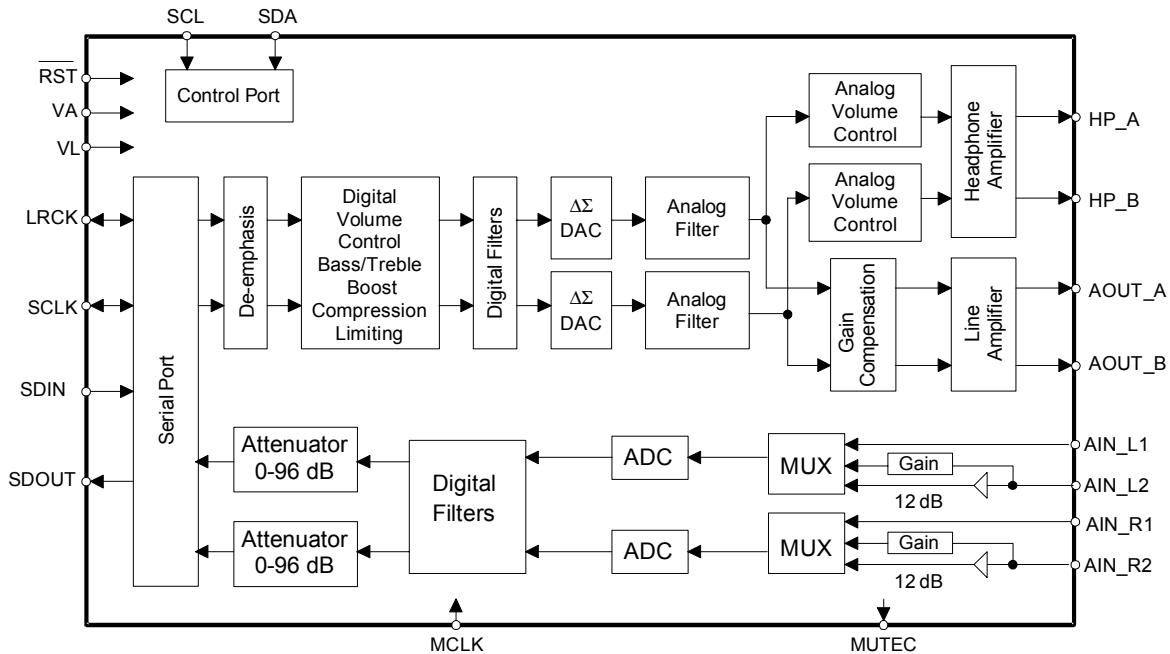
This device is based on delta-sigma modulation allowing infinite adjustment of the sample rate between 8 kHz and 100 kHz simply by changing the master clock frequency.

The CS42L50 contains a 2:1 stereo mux, programmable analog gain control, and digital attenuation on the analog inputs. The output D/A converters include digital bass and treble boost, dynamic range compression, limiting, mixing, volume control and de-emphasis.

The CS42L50 operates from a +1.8 V to +3.3 V supply. These features are ideal for portable MP3 and MD recorders, CD and DVD recorders, digital camcorders, and other portable systems that require extremely low power consumption in a minimal amount of space.

ORDERING INFORMATION

CS42L50-KN 28-pin CASON, -10 to 70 °C
 CDB42L50 Evaluation Board



Preliminary Product Information

This document contains information for a new product. Cirrus Logic reserves the right to modify this product without notice.

TABLE OF CONTENTS

1. CHARACTERISTICS/SPECIFICATIONS	5
ANALOG INPUT CHARACTERISTICS	5
ANALOG OUTPUT CHARACTERISTICS	7
POWER AND THERMAL CHARACTERISTICS	10
DIGITAL CHARACTERISTICS	11
ABSOLUTE MAXIMUM RATINGS	11
RECOMMENDED OPERATING CONDITIONS	11
SWITCHING CHARACTERISTICS	12
SWITCHING CHARACTERISTICS - CONTROL PORT	14
2. TYPICAL CONNECTION DIAGRAM	15
3. REGISTER QUICK REFERENCE	16
4. REGISTER DESCRIPTION	18
4.1 ADC (address 0010000)	18
4.1.1 I/O and Power Control (address 01h)	18
4.1.2 20DB Gain Boost (BOOST)	18
4.1.3 Analog Input Multiplexer (AINMUX)	18
4.1.4 Power Down (PDN)	18
4.1.5 Control Port Enable (CP_EN)	18
4.1.6 Interface Control (address 02h)	19
4.1.7 Master Clock Divide (MCLKDIV)	19
4.1.8 Master Clock Ratio (RATIO)	19
4.1.9 Master Mode (MASTER)	19
4.1.10 Digital Interface Format (DIF)	19
4.1.11 Analog I/O Control (address 03h)	20
4.1.12 Left/Right Channel Mute (MUTE)	20
4.1.13 Soft Ramp and Zero Cross Enable (SOFT/ZC)	20
4.1.14 Independent Volume Control Enable (INDVC)	21
4.1.15 Left Channel Volume = Right Channel Volume (L=R)	21
4.1.16 High-Pass Filter Freeze (HPFREEZE)	21
4.1.17 Volume Control: Left Channel (address 04h) & Right Channel (address 05h)	22
4.1.18 Left/Right Analog Gain (address 06h)	22
4.1.19 Clip Detection Status (address 07h)	23
4.2 DAC (Address = 0010001)	23
4.2.1 Power and Muting Control (address 01h)	23
4.2.2 Auto-Mute (AMUTE)	23
4.2.3 Soft Ramp and Zero Cross Control (SZC)	23
4.2.4 Power Down Headphone Amplifier (PDNHP)	24

Contacting Cirrus Logic Support

For a complete listing of Direct Sales, Distributor, and Sales Representative contacts, visit the Cirrus Logic web site at:
<http://www.cirrus.com/corporate/contacts/sales.cfm>

Purchase of I²C components of Cirrus Logic, Inc., or one of its sublicensed Associated Companies conveys a license under the Philips I²C Patent Rights to use those components in a standard I²C system.

Preliminary product information describes products which are in production, but for which full characterization data is not yet available. Advance product information describes products which are in development and subject to development changes. Cirrus Logic, Inc. has made best efforts to ensure that the information contained in this document is accurate and reliable. However, the information is subject to change without notice and is provided "AS IS" without warranty of any kind (express or implied). Customers are advised to obtain the latest version of relevant information to verify, before placing orders, that information being relied on is current and complete. All products are sold subject to the terms and conditions of sale supplied at the time of order acknowledgment, including those pertaining to warranty, patent infringement, and limitation of liability. No responsibility is assumed by Cirrus Logic, Inc. for the use of this information, including use of this information as the basis for manufacture or sale of any items, nor for infringements of patents or other rights of third parties. This document is the property of Cirrus Logic, Inc. and by furnishing this information, Cirrus Logic, Inc. grants no license, express or implied under any patents, mask work rights, copyrights, trademarks, trade secrets or other intellectual property rights of Cirrus Logic, Inc. Cirrus Logic, Inc., copyright owner of the information contained herein, gives consent for copies to be made of the information only for use within your organization with respect to Cirrus Logic integrated circuits or other parts of Cirrus Logic, Inc. The same consent is given for similar information contained on any Cirrus Logic website or disk. This consent does not extend to other copying such as copying for general distribution, advertising or promotional purposes, or for creating any work for resale. The names of products of Cirrus Logic, Inc. or other vendors and suppliers appearing in this document may be trademarks or service marks of their respective owners which may be registered in some jurisdictions. A list of Cirrus Logic, Inc. trademarks and service marks can be found at <http://www.cirrus.com>.

4.2.5 Power Down Line Amplifier (PDNLN).....	24
4.2.6 Power Down (PDN).....	24
4.2.7 Control Port Enable (CP_EN).....	24
4.2.8 Channel A Analog Headphone Attenuation Control (address 02h) (HVOLA).....	25
4.2.9 Channel B Analog Headphone Attenuation Control (address 03h) (HVOLB).....	25
4.2.10 Channel A Digital Volume Control (address 04h) (DVOLA).....	25
4.2.11 Channel B Digital Volume Control (address 05h) (DVOLB).....	25
4.2.12 Tone Control (address 06h).....	26
4.2.13 Bass Boost Level (BB).....	26
4.2.14 Treble Boost Level (TB).....	26
4.2.15 Mode Control (address 07h).....	27
4.2.16 Bass Boost Corner Frequency (BBCF).....	27
4.2.17 Treble Boost Corner Frequency (TBCF).....	27
4.2.18 Channel A Volume = Channel B Volume (A=B).....	27
4.2.19 De-Emphasis Control (DEM).....	28
4.2.20 Digital Volume Control Bypass (VCBYP).....	28
4.2.21 Volume and Mixing Control (address 0Ah).....	28
4.2.22 Tone Control Mode (TC).....	28
4.2.23 Tone Control Enable (TC_EN).....	28
4.2.24 ATAPI Channel Mixing and Muting (ATAPI).....	29
4.2.25 Mode Control 2 (address 0Bh).....	29
4.2.26 Master Clock Divide Enable (MCLKDIV).....	29
4.2.27 Line Amplifier Gain Compensation (LINE).....	29
4.2.28 Digital Interface Format (DIF).....	30
5. PIN DESCRIPTIONS	31
6. APPLICATIONS	33
6.1 Grounding and Power Supply Decoupling.....	33
6.2 Clock Modes.....	33
6.3 EP73xx Serial Port Interface.....	33
6.4 De-Emphasis.....	33
6.5 Recommended Power-up Sequence.....	33
6.6 Optional External Headphone Mute.....	33
7. CONTROL PORT INTERFACE	33
7.1 Memory Address Pointer (MAP).....	35
7.2 INCR (Auto Map Increment Enable).....	35
7.3 MAP0-3 (Memory Address Pointer).....	35
8. PARAMETER DEFINITIONS	44
9. REFERENCES	44
10. PACKAGE DIMENSIONS	45

LIST OF FIGURES

Figure 1. SCLK to LRCK and SDIN, Slave Mode.....	13
Figure 2. SCLK to LRCK and SDIN, Master Mode.....	13
Figure 3. Control Port Timing - I ² C,.....	14
Figure 4. CS42L50 Typical Connection Diagram.....	15
Figure 5. Control Port Timing.....	35
Figure 6. Decimation Filter Single Speed Stopband Rejection.....	36
Figure 7. Decimation Filter Single Speed Transition Band.....	36
Figure 8. Decimation Filter Single Speed Transition Band (Detail).....	36
Figure 9. Decimation Filter Single Speed Passband Ripple.....	36
Figure 10. Decimation Filter Double Speed Stopband Rejection.....	36
Figure 11. Decimation Filter Double Speed Transition Band.....	36
Figure 12. Decimation Filter Double Speed Transition Band (Detail).....	37

Figure 13. Decimation Filter Double Speed Passband Ripple	37
Figure 14. Interpolation Filter Single Speed Stopband Rejection	38
Figure 15. Interpolation Filter Single Speed Transition Band	38
Figure 16. Interpolation Filter Single Speed Transition Band (Detail)	38
Figure 17. Interpolation Filter Single Speed Passband Ripple	38
Figure 18. Interpolation Filter Double Speed Stopband Rejection	38
Figure 19. Interpolation Filter Double Speed Transition Band	38
Figure 20. Interpolation Filter Double Speed Transition Band (Detail)	39
Figure 21. Interpolation Filter Double Speed Passband Ripple	39
Figure 22. Line Input Test Circuit	39
Figure 23. Line Output Test Load	40
Figure 24. Headphone Output Test Load	40
Figure 25. Left Justified, up to 24-bit data	41
Figure 26. Right Justified, 16-bit data	41
Figure 27. Right Justified, 24-bit data	41
Figure 28. Right Justified, 18-bit data	42
Figure 29. Right Justified, 20-bit data	42
Figure 30. I2S, up to 24-bit data	42
Figure 31. De-Emphasis Curve	43
Figure 32. ATAPI Block Diagram	43
Figure 33. Package Dimensions	45
Figure 34. Package Top and Side Views	46
Figure 35. Package Bottom View	47

LIST OF TABLES

Table 1. Example Analog Volume Settings	25
Table 2. Example Digital Volume Settings	26
Table 3. Example Bass Boost Settings	26
Table 4. Example Treble Boost Settings	27
Table 5. ATAPI Decode	29
Table 6. Digital Interface Format	30

1. CHARACTERISTICS/SPECIFICATIONS

ANALOG INPUT CHARACTERISTICS ($T_A = 25^\circ \text{C}$; GND = 0 V Logic "1" = $V_L = 1.8 \text{V}$; Logic "0" = GND = 0 V; MCLK = 12.288 MHz; F_s for Single Speed Mode = 48 kHz, SCLK = 3.072 MHz, F_s for Double Speed Mode = 96 kHz, SCLK = 6.144 MHz; Measurement Bandwidth 10 Hz to 20 kHz, unless otherwise specified. Input is 997Hz sine wave.)

Parameter	Symbol	Single Speed Mode			Double Speed Mode			Unit	
		Min	Typ	Max	Min	Typ	Max		
Analog Input Characteristics for $V_A = 1.8 \text{V}$									
Dynamic Range	A-weighted	TBD	93	-	TBD	94	-	dB	
	unweighted	TBD	90	-	TBD	91	-	dB	
Total Harmonic Distortion + Noise (Note 1)	18 to 24-Bit	-1 dB	-	-88	TBD	-	-88	TBD	dB
		-20 dB	-	-70	-	-	-71	-	dB
		-60 dB	-	-30	-	-	-31	-	dB
	16-Bit	-1 dB	-	-86	-	-	-86	-	dB
		-20 dB	-	-68	-	-	-68	-	dB
		-60 dB	-	-28	-	-	-28	-	dB
Dynamic Range (PGA on)*	0 dB Gain	A-weighted	-	90	-	-	89	-	dB
		unweighted	-	87	-	-	86	-	dB
	12 dB Gain	A-weighted	-	85	-	-	86	-	dB
		unweighted	-	82	-	-	83	-	dB
Total Harmonic Distortion + Noise (PGA on)* (Note 1)	0 dB Gain, 18 to 24-Bit	-	85	-	-	84	-	dB	
	12 dB Gain, 18 to 24-Bit	-	83	-	-	82	-	dB	
Analog Input Characteristics for $V_A = 3.0 \text{V}$									
Dynamic Range	A-weighted	TBD	96	-	TBD	98	-	dB	
	unweighted	TBD	93	-	TBD	95	-	dB	
Total Harmonic Distortion + Noise (Note 1)	18 to 24-Bit	-1 dB	-	-88	TBD	-	-85	TBD	dB
		-20 dB	-	-73	-	-	-75	-	dB
		-60 dB	-	-33	-	-	-35	-	dB
	16-Bit	-1 dB	-	-86	-	-	-83	-	dB
		-20 dB	-	-68	-	-	-65	-	dB
		-60 dB	-	-28	-	-	-28	-	dB
Dynamic Range (PGA on)*	0 dB Gain	A-weighted	-	93	-	-	92	-	dB
		unweighted	-	90	-	-	89	-	dB
	12 dB Gain	A-weighted	-	88	-	-	89	-	dB
		unweighted	-	85	-	-	86	-	dB
Total Harmonic Distortion + Noise (PGA on)* (Note 1)	0 dB Gain, 18 to 24-Bit	-	78	-	-	77	-	dB	
	12 dB Gain, 18 to 24-Bit	-	73	-	-	76	-	dB	

*PGA : Programmable Gain Amplifier

Parameter	Symbol	Single Speed Mode			Double Speed Mode			Unit
		Min	Typ	Max	Min	Typ	Max	
Analog Input Characteristics for VA = 1.8 - 3.3V								
Interchannel Isolation	1 kHz	-	90	-	-	90	-	dB
Interchannel Gain Mismatch		-	0.1	-	-	0.1	-	dB
Offset Error	(with HPF Active)	-	-	0	-	-	0	LSB
Full Scale Input Voltage		TBD	VA/3.6	TBD	TBD	VA/3.6	TBD	Vrms
Gain Drift		-	100	-	-	100	-	ppm/°C
Input Resistance		10	-	-	10	-	-	kΩ
Input Capacitance		-	-	15	-	-	15	pF
Programmable Gain Characteristics								
Gain Step Size		-	1.0	-	-	1.0	-	dB
Absolute Gain Step Error		-	-	TBD	-	-	TBD	dB
A/D Decimation Filter Characteristics (Note 2)								
Passband	(Note 3)	0	-	23.5	0	-	47.5	kHz
Passband Ripple		-0.08	-	+0.17	-0.09	-	0	dB
Stopband	(Note 3)	27.5	-	-	64.1	-	-	kHz
Stopband Attenuation	(Note 4)	-60.3	-	-	-48.4	-	-	dB
Group Delay (Fs = Output Sample Rate)(Note 5)	t_{gd}	-	10/Fs	-	-	2.7/Fs	-	s
Group Delay Variation vs. Frequency	Δt_{gd}	-	-	0.03	-	-	0.007	μs
High Pass Filter Characteristics								
Frequency Response	-3 dB (Note 2)	-	3.7	-	-	3.7	-	Hz
		-	24.2	-	-	24.2	-	Hz
Phase Deviation	@ 20 Hz (Note 2)	-	10	-	-	10	-	Degree
Passband Ripple	(Note 2)	-	-	0.17	-	-	0.09	dB

*PGA : Programmable Gain Amplifier

ANALOG OUTPUT CHARACTERISTICS ($T_A = 25^\circ \text{C}$; Logic "1" = $V_L = 1.8 \text{V}$; Logic "0" = $\text{GND} = 0 \text{V}$; Full-Scale Output Sine Wave, 997 Hz; MCLK = 12.288 MHz; Measurement Bandwidth 10 Hz to 20 kHz, unless otherwise specified; F_s for Single Speed Mode = 48 kHz, SCLK = 3.072 MHz. F_s for Double Speed Mode = 96 kHz, SCLK = 6.144 MHz. Test load $R_L = 10 \text{k}\Omega$, $C_L = 10 \text{pF}$ (see Figure 23) for line out, $R_L = 16 \Omega$, $C_L = 10 \text{pF}$ (see Figure 24) for headphone out.

Parameter	Symbol	Single Speed Mode			Double Speed Mode			Unit	
		Min	Typ	Max	Min	Typ	Max		
Line Output Dynamic Performance for $V_A = 1.8 \text{V}$									
Dynamic Range	18 to 24-Bit	(Note 6) unweighted	TBD	91	-	TBD	89	-	dB
		A-Weighted	TBD	94	-	TBD	92	-	dB
	16-Bit	unweighted	-	89	-	-	87	-	dB
		A-Weighted	-	92	-	-	90	-	dB
Total Harmonic Distortion + Noise	18 to 24-Bit	(Note 6) 0 dB	-	-80	TBD	-	-80	TBD	dB
		-20 dB	-	-71	-	-	-69	-	dB
		-60 dB	-	-31	-	-	-29	-	dB
	16-Bit	0 dB	-	-78	-	-	-78	-	dB
		-20 dB	-	-69	-	-	-67	-	dB
		-60 dB	-	-29	-	-	-27	-	dB
Interchannel Isolation	(1 kHz)	-	100	-	-	100	-	dB	
Headphone Output Dynamic Performance for $V_A = V_{A_HP} = 1.8 \text{V}$									
Dynamic Range	18 to 24-Bit	(Note 6) unweighted	TBD	88	-	TBD	88	-	dB
		A-Weighted	TBD	91	-	TBD	91	-	dB
	16-Bit	unweighted	-	86	-	-	86	-	dB
		A-Weighted	-	89	-	-	89	-	dB
Total Harmonic Distortion + Noise	18 to 24-Bit	(Note 6) 0 dB	-	-82	TBD	-	-85	TBD	dB
		-20 dB	-	-68	-	-	-68	-	dB
		-60 dB	-	-28	-	-	-28	-	dB
	16-Bit	0 dB	-	-80	-	-	-83	-	dB
		-20 dB	-	-66	-	-	-66	-	dB
		-60 dB	-	-26	-	-	-26	-	dB
Interchannel Isolation	(1 kHz)	-	66	-	-	66	-	dB	

- Notes:
1. Referenced to typical full-scale input voltage.
 2. Filter response is not tested but is guaranteed by design.
 3. Filter characteristics scale with output sample rate. For output sample rates, F_s , other than 48 kHz, the 0.01 dB passband edge is $0.4535x F_s$ and the stopband edge is $0.625x F_s$.
 4. The analog modulator samples the input at 6.144 MHz for an F_s equal to 48 kHz. There is no rejection of input signals which are multiples of the sampling frequency ($n \times 6.144 \text{ MHz} \pm 21.8 \text{ kHz}$ where $n = 0, 1, 2, 3, \dots$).
 5. Group delay for $F_s = 48 \text{ kHz}$, $t_{gd} = 10/48 \text{ kHz} = 208 \mu\text{s}$.
 6. One-half LSB of triangular PDF dither is added to data.

ANALOG OUTPUT CHARACTERISTICS (Continued)

Parameter	Symbol	Single Speed Mode			Double Speed Mode			Unit		
		Min	Typ	Max	Min	Typ	Max			
Line Output Dynamic Performance for VA = 3.0 V										
Dynamic Range (Note 6)	18 to 24-Bit	unweighted	TBD	93	-	TBD	93	-	dB	
		A-Weighted	TBD	96	-	TBD	96	-	dB	
	16-Bit	unweighted	-	91	-	-	91	-	dB	
		A-Weighted	-	94	-	-	94	-	dB	
Total Harmonic Distortion + Noise (Note 6)	18 to 24 Bit	0dB	THD+N	-	-85	TBD	-	-85	TBD	dB
		-20dB	-	-73	-	-	-73	-	dB	
		-60dB	-	-33	-	-	-33	-	dB	
	16-Bit	0dB	-	-83	-	-	-83	-	dB	
		-20dB	-	-71	-	-	-71	-	dB	
		-60dB	-	-31	-	-	-31	-	dB	
Interchannel Isolation (1 kHz)		-	100	-	-	100	-	dB		
Headphone Output Dynamic Performance for VA = VA_HP = 3.0 V										
Dynamic Range (Note 6)	18 to 24-Bit	unweighted	TBD	90	-	TBD	90	-	dB	
		A-Weighted	TBD	93	-	TBD	93	-	dB	
	16-Bit	unweighted	-	88	-	-	88	-	dB	
		A-Weighted	-	91	-	-	91	-	dB	
Total Harmonic Distortion + Noise (Note 6)	18 to 24 Bit	0dB	THD+N	-	-76	TBD	-	-73	TBD	dB
		-20dB	-	-70	-	-	-70	-	dB	
		-60dB	-	-30	-	-	-30	-	dB	
	16-Bit	0dB	-	-74	-	-	-71	-	dB	
		-20dB	-	-68	-	-	-68	-	dB	
		-60dB	-	-28	-	-	-28	-	dB	
Interchannel Isolation (1 kHz)		-	66	-	-	66	-	dB		

ANALOG OUTPUT CHARACTERISTICS (Continued)

Parameters	Symbol	Min	Typ	Max	Units
Analog Output					
Full Scale Line Output Voltage (Note 7)	V_{FS_LINE}	TBD	G x VA	TBD	Vpp
Line Output Quiescent Voltage	V_{Q_LINE}	-	0.5 x VA_LINE	-	VDC
Full Scale Headphone Output Voltage	V_{FS_HP}	TBD	0.55 x VA	TBD	Vpp
Headphone Output Quiescent Voltage	V_{Q_HP}	-	0.5 x VA_HP	-	VDC
Interchannel Gain Mismatch		-	0.1	-	dB
Gain Drift		-	100	-	ppm/°C
Maximum Line Output AC-Current VA=1.8 V VA=3.0 V	I_{LINE}	-	0.1 0.15	-	mA mA
Maximum Headphone Output AC-Current VA=VA_HP=1.8 V VA=VA_HP=3.0 V	I_{HP}	-	31 52	-	mA mA

Parameter	Symbol	Single Speed Mode			Double Speed Mode			Unit
		Min	Typ	Max	Min	Typ	Max	
Combined Digital and On-chip Analog Filter Response (Note 8)								
Passband (Note 9)		0	-	.4535	-	-	-	Fs
to -0.05 dB corner		-	-	-	0	-	.4426	Fs
to -0.1 dB corner		0	-	.4998	0	-	.4984	Fs
to -3 dB corner								
Frequency Response 10 Hz to 20 kHz (Note 10)		-.02	-	+.08	0	-	+0.11	dB
StopBand		.5465	-	-	.577	-	-	Fs
StopBand Attenuation (Note 11)		50	-	-	55	-	-	dB
Group Delay	tgd	-	9/Fs	-	-	4/Fs	-	s
Passband Group Delay Deviation 0 - 40 kHz		-	-	-	-	±1.39/Fs	-	s
0 - 20 kHz		-	±0.36/Fs	-	-	±0.23/Fs	-	s
De-emphasis Error (Relative to 1 kHz)		-	-	+.2/- .1	(Note 12)			dB
Fs = 32 kHz		-	-	+.05/- .14				dB
Fs = 44.1 kHz		-	-	+0/- .22				dB
Fs = 48 kHz		-	-					dB

Notes: 7. See Section 4.2.7 for details.

8. Filter response is not tested but is guaranteed by design.

9. Response is clock dependent and will scale with Fs. Note that the response plots (Figures 14 through 21) have been normalized to Fs and can be de-normalized by multiplying the X-axis scale by Fs.

10. Referenced to a 1 kHz, full-scale sine wave.

11. For Single Speed Mode, the measurement bandwidth is 0.5465 Fs to 3 Fs.
For Double Speed Mode, the measurement bandwidth is 0.577 Fs to 1.4 Fs.

12. De-emphasis is not available in Double Speed Mode.

POWER AND THERMAL CHARACTERISTICS (GND = 0 V; All voltages with respect to ground. All measurements taken with all zeros input and open outputs, unless otherwise specified.)

Parameters	Symbol	Min	Typ	Max	Units	
Power Supplies						
Power Supply Current- Normal Operation	VA=1.8 V	I_A	-	13.3	-	mA
	VA_HP=1.8 V	I_{A_HP}	-	1.5	-	mA
	VL=1.8 V	I_{D_L}	-	154	-	μ A
Power Supply Current- Normal Operation	VA=3.0 V	I_A	-	20	-	mA
	VA_HP=3.0 V	I_{A_HP}	-	1.5	-	mA
	VL=3.0 V	I_{D_L}	-	270	-	μ A
Power Supply Current- Power Down Mode (Note 13)	All Supplies=1.8 V		-	150	-	μ A
	All Supplies =3.0V		-	350	-	μ A
Total Power Dissipation- Normal Operation	All Supplies=1.8 V		-	27	TBD	mW
	All Supplies=3.0 V		-	65	TBD	mW
Maximum Headphone Power Dissipation (1 kHz full-scale sine wave into 16 ohm load)	VA=1.8 V		-	15	-	mW
	VA=3.0 V		-	26	-	mW
Package Thermal Resistance	θ_{JA}	-	55	-	$^{\circ}$ C/Watt	
Power Supply Rejection Ratio (Note 14)	(1 kHz)	PSRR	-	60	-	dB
	(60 Hz)		-	40	-	dB

Notes: 13. Power Down Mode is defined as $\overline{RST} = LO$ with all clocks and data lines held static.

14. Valid with the recommended capacitor values on FILT+_ADC, FILT+_DAC, VQ_DAC, and VQ_ADC as shown in Figure 4. Increasing the capacitance will also increase the PSRR. Note that care should be taken when selecting capacitor type, as any leakage current in excess of 1.0 μ A will cause degradation in analog performance. A small ceramic capacitor in parallel with a larger electrolytic is recommended.

DIGITAL CHARACTERISTICS ($T_A = 25^\circ\text{C}$; $V_L = 1.7\text{ V} - 3.3\text{ V}$; $\text{GND} = 0\text{ V}$)

Parameters	Symbol	Min	Typ	Max	Units
High-Level Input Voltage	V_{IH}	$0.7 \times V_L$	-	-	V
Low-Level Input Voltage	V_{IL}	-	-	$0.3 \times V_L$	V
Input Leakage Current	I_{in}	-	-	± 10	μA
High-Level Output Voltage	V_{OH}	$0.7 \times V_L$	-	-	V
Low-Level Output Voltage	V_{OL}	-	-	$0.3 \times V_L$	V
Input Capacitance		-	8	-	pF
Maximum MUTE C Drive Capability	$V_A=1.8\text{ V}$	-	TBD	-	mA
	$V_A=3.0\text{ V}$	-	3	-	mA
MUTE C High-Level Output Voltage		-	V_A	-	V
MUTE C Low-Level Output Voltage		-	0	-	V

ABSOLUTE MAXIMUM RATINGS ($\text{GND} = 0\text{V}$; all voltages with respect to ground.)

Parameters	Symbol	Min	Max	Units
DC Power Supplies: Analog&Headphone Digital I/O	V_A & V_{A_HP}	-0.3	4.0	V
	V_L	-0.3	4.0	V
Input Current, Any Pin Except Supplies	I_{in}	-	± 10	mA
Digital Input Voltage	V_{IND}	-0.3	$V_L+0.4$	V
Ambient Operating Temperature (power applied)	T_A	-55	125	$^\circ\text{C}$
Storage Temperature	T_{stg}	-65	150	$^\circ\text{C}$

WARNING: Operation at or beyond these limits may result in permanent damage to the device. Normal operation is not guaranteed at these extremes.

RECOMMENDED OPERATING CONDITIONS ($\text{GND} = 0\text{V}$; all voltages with respect to ground.)

Parameters	Symbol	Min	Typ	Max	Units
Ambient Temperature	T_A	-10	-	70	$^\circ\text{C}$
DC Power Supplies: Analog&Headphone Digital I/O	V_A & V_{A_HP} (Note 15)	1.7	-	3.6	V
	V_L	1.7	-	3.6	V

Notes: 15. V_A and V_{A_HP} should be tied to the same supply as shown in Figure 4.

SWITCHING CHARACTERISTICS ($T_A = -10$ to 70°C ; $V_A = 1.7\text{ V} - 3.3\text{ V}$; Inputs: Logic 0 = GND, Logic 1 = VL, $C_L = 20\text{ pF}$)

Parameters		Symbol	Min	Typ	Max	Units
Input Sample Rate	Single Speed Mode	F_s	2	-	50	kHz
	Double Speed Mode	F_s	50	-	100	kHz
MCLK Pulse Width High	MCLK/LRCK = 1024		8	-	-	ns
MCLK Pulse Width Low	MCLK/LRCK = 1024		8	-	-	ns
MCLK Pulse Width High	MCLK/LRCK = 768		10	-	-	ns
MCLK Pulse Width Low	MCLK/LRCK = 768		10	-	-	ns
MCLK Pulse Width High	MCLK/LRCK = 512		15	-	-	ns
MCLK Pulse Width Low	MCLK/LRCK = 512		15	-	-	ns
MCLK Pulse Width High	MCLK / LRCK = 384 or 192		25	-	-	ns
MCLK Pulse Width Low	MCLK / LRCK = 384 or 192		25	-	-	ns
MCLK Pulse Width High	MCLK / LRCK = 256 or 128		35	-	-	ns
MCLK Pulse Width Low	MCLK / LRCK = 256 or 128		35	-	-	ns
Master Mode						
SCLK Falling to LRCK Edge		t_{slrd}	-20	-	20	ns
SCLK Falling to SDOUT Valid		t_{sdo}	0	-	20	ns
SCLK Duty Cycle			40	50	60	%
Slave Mode						
LRCK Duty Cycle			40	50	60	%
Rise Time of Both LRCK and SCLK		t_r	-	-	10	ns
Fall Time of Both LRCK and SCLK		t_f	-	-	10	ns
SCLK Period (Note 16)	Single Speed Mode	t_{sclkw}	$\frac{1}{(128)F_s}$	-	-	ns
	Double Speed Mode	t_{sclkw}	$\frac{1}{(64)F_s}$	-	-	ns
SCLK Falling to LRCK Edge		t_{slrd}	-20	-	20	ns
SCLK Falling to SDOUT Valid	Single Speed Mode	t_{dss}	-	-	$\frac{1}{(512)F_s}$	ns
	Double Speed Mode	t_{dss}	-	-	$\frac{1}{(256)F_s}$	ns

16. There must be exactly 32, 48, 64, or 128 SCLK periods per LRCK transition.

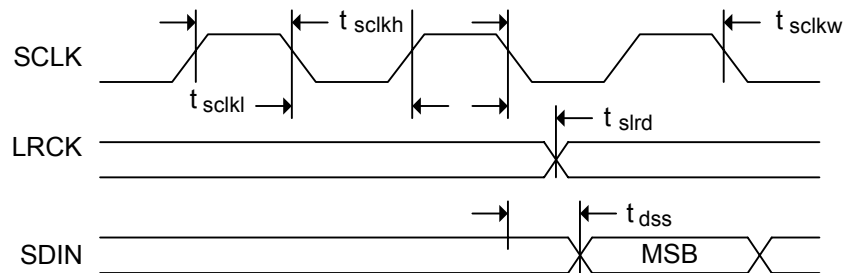


Figure 1. SCLK to LRCK and SDIN, Slave Mode

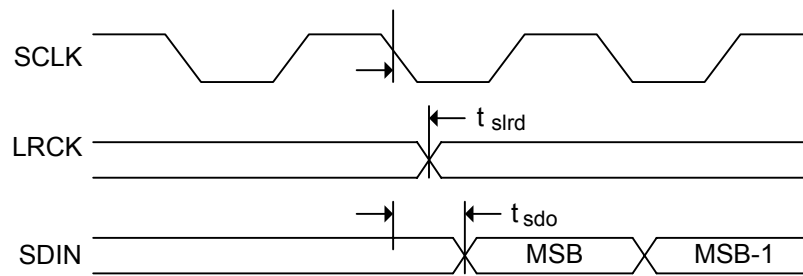


Figure 2. SCLK to LRCK and SDIN, Master Mode

SWITCHING CHARACTERISTICS - CONTROL PORT

($T_A = 25^\circ\text{C}$; $V_L = 1.7\text{ V} - 3.3\text{ V}$; Inputs: logic 0 = GND, logic 1 = V_L , $C_L = 30\text{ pF}$)

Parameter	Symbol	Min	Max	Unit
SCL Clock Frequency	f_{scl}	-	100	KHz
$\overline{\text{RST}}$ Rising Edge to Start	t_{irs}	500	-	ns
Bus Free Time Between Transmissions	t_{buf}	4.7	-	μs
Start Condition Hold Time (prior to first clock pulse)	t_{hdst}	4.0	-	μs
Clock Low time	t_{low}	4.7	-	μs
Clock High Time	t_{high}	4.0	-	μs
Setup Time for Repeated Start Condition	t_{sust}	4.7	-	μs
SDA Hold Time from SCL Falling (Note 17)	t_{hdd}	0	-	μs
SDA Setup time to SCL Rising	t_{sud}	250	-	ns
Rise Time of SCL	t_{rc}	-	25	ns
Fall Time of SCL	t_{fc}	-	25	ns
Rise Time of SDA	t_{rd}	-	1	μs
Fall Time of SDA	t_{fd}	-	300	ns
Setup Time for Stop Condition	t_{susp}	4.7	-	μs

Note: 17. Data must be held for sufficient time to bridge the transition time, t_{fc} , of SCL.

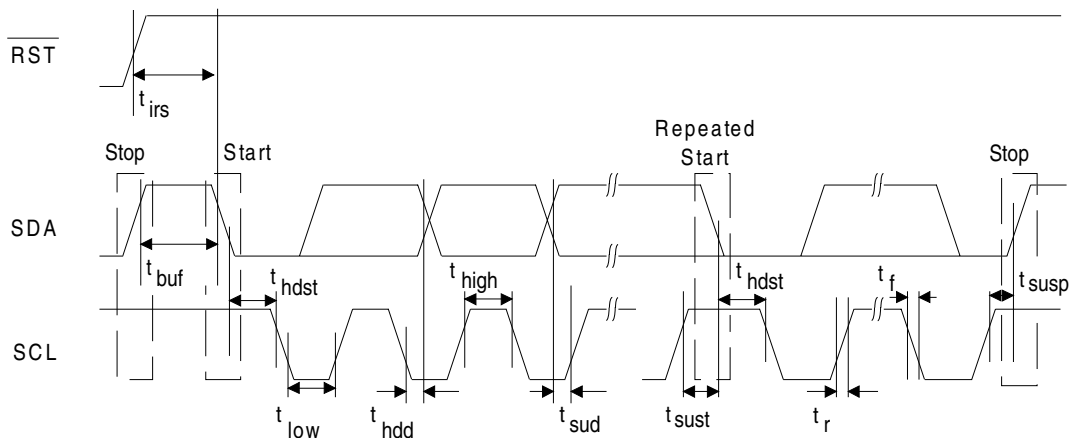


Figure 3. Control Port Timing - I²C[®]

2. TYPICAL CONNECTION DIAGRAM

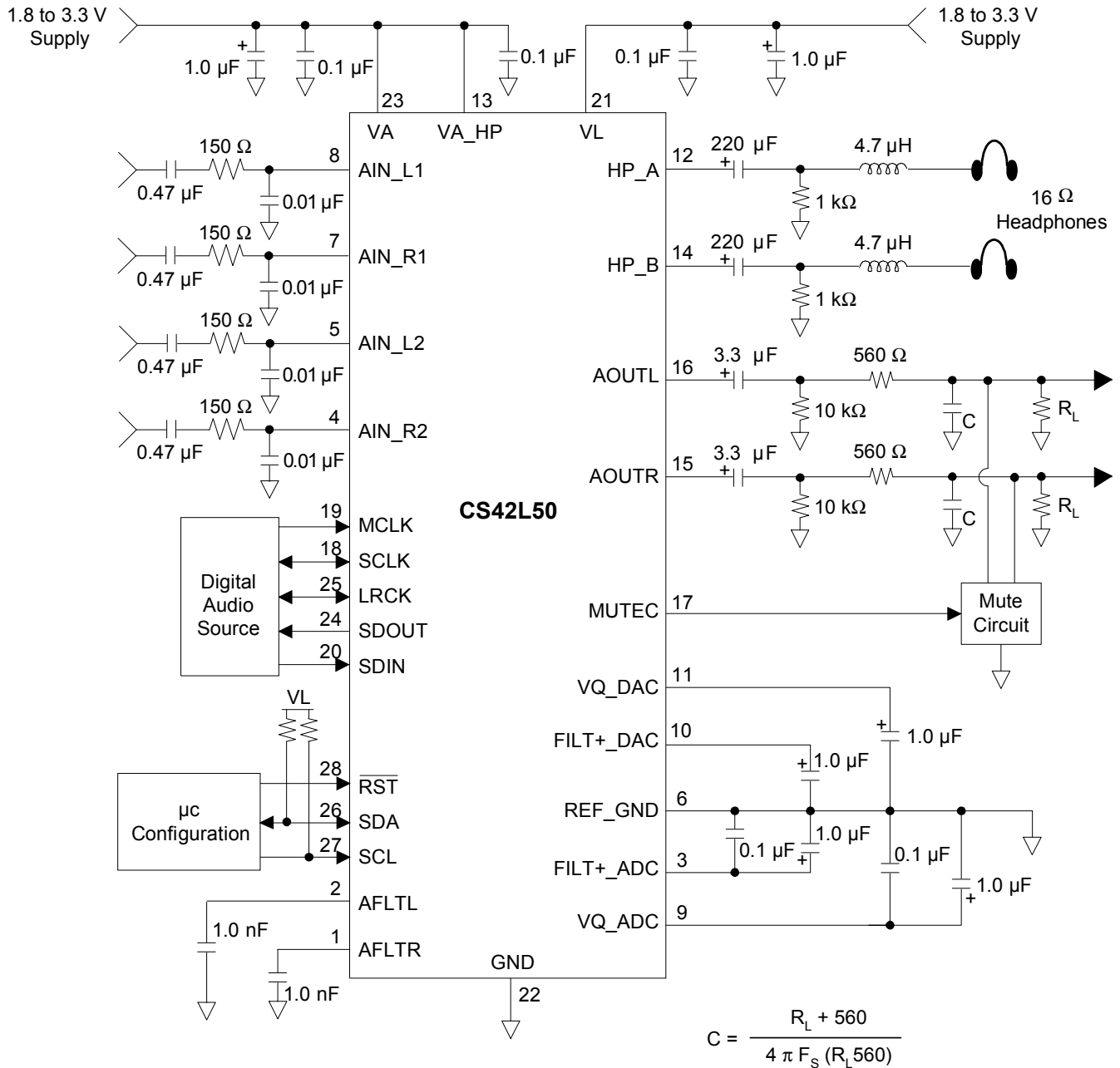


Figure 4. CS42L50 Typical Connection Diagram

3. REGISTER QUICK REFERENCE

ADC (Address = 0010000)

Addr	Function	7	6	5	4	3	2	1	0
0h	Reserved default	Reserved 0	Reserved 0	Reserved 0	Reserved 0	Reserved 0	Reserved 0	Reserved 0	Reserved 0
1h	I/O and Power Control default	Reserved 0	BOOST 0	AINMUX1 0	AINMUX0 0	Reserved 0	Reserved 0	PDN 1	CP_EN 0
2h	Interface Control default	Reserved 0	MCLKDIV 0	RATIO1 0	RATIO0 0	MASTER 0	DIF2 0	DIF1 0	DIF0 0
3h	Analog I/O Control default	MUTEL 0	MUTER 0	SZC1 1	SZC0 1	Reserved 0	INDVC 0	L=R 0	HPFREEZE 0
4h	Left Channel Digital Volume Control default	VOL7 0	VOL6 0	VOL5 0	VOL4 0	VOL3 0	VOL2 0	VOL1 0	VOL0 0
5h	Right Channel Digital Volume Control default	VOL7 0	VOL6 0	VOL5 0	VOL4 0	VOL3 0	VOL2 0	VOL1 0	VOL0 0
6h	Analog Gain Control default	LVOL3 0	LVOL2 0	LVOL1 0	LVOL0 0	RVOL3 0	RVOL2 0	RVOL1 0	RVOL0 0
7h	Clip Detection Status default	Reserved 0	Reserved 0	Reserved 0	Reserved 0	Reserved 0	Reserved 0	CLIP_L 0	CLIP_R 0

DAC (Address = 0010001)

Addr	Function	7	6	5	4	3	2	1	0
0h	Reserved default	Reserved 0	Reserved 0	Reserved 0	Reserved 0	Reserved 0	Reserved 0	Reserved 0	Reserved 0
1h	Power and Muting Control default	AMUTE 1	SZC1 1	SZC0 0	Reserved 1	PDNHP 0	PDNLN 0	PDN 1	CP_EN 0
2h	Channel A Analog Headphone Attenuation Control default	HVOLA7 0	HVOLA6 0	HVOLA5 0	HVOLA4 0	HVOLA3 0	HVOLA2 0	HVOLA1 0	HVOLA0 0
3h	Channel B Analog Headphone Attenuation Control default	HVOLB7 0	HVOLB6 0	HVOLB5 0	HVOLB4 0	HVOLB3 0	HVOLB2 0	HVOLB1 0	HVOLB0 0
4h	Channel A Digital Volume Control default	DVOLA7 0	DVOLA6 0	DVOLA5 0	DVOLA4 0	DVOLA3 0	DVOLA2 0	DVOLA1 0	DVOLA0 0
5h	Channel B Digital Volume Control default	DVOLB7 0	DVOLB6 0	DVOLB5 0	DVOLB4 0	DVOLB3 0	DVOLB2 0	DVOLB1 0	DVOLB0 0

Addr	Function	7	6	5	4	3	2	1	0
6h	Tone Control default	BB3 0	BB2 0	BB1 0	BB0 0	TB3 0	TB2 0	TB1 0	TB0 0
7h	Mode Control default	BBCF1 0	BBCF0 0	TBCF1 0	TBCF0 0	A=B 0	DEM1 0	DEM0 0	VCBYP 0
8h	Reserved default	Reserved 0	Reserved 0	Reserved 0	Reserved 1	Reserved 0	Reserved 0	Reserved 0	Reserved 0
9h	Reserved default	Reserved 0	Reserved 0	Reserved 1	Reserved 0	Reserved 0	Reserved 0	Reserved 0	Reserved 0
Ah	Volume and Mixing Control default	TC1 0	TC0 0	TC_EN 0	Reserved 0	ATAPI3 1	ATAPI2 0	ATAPI1 0	ATAPI0 1
Bh	Mode Control 2 default	MCLKDIV 0	LINE1 0	LINE0 0	Reserved 0	Reserved 0	DIF2 0	DIF1 0	DIF0 0

4. REGISTER DESCRIPTION

4.1 ADC (Address = 0010000)

4.1.1 I/O and Power Control (address 01h)

7	6	5	4	3	2	1	0
RESERVED	BOOST	AINMUX1	AINMUX0	RESERVED	RESERVED	PDN	CP_EN
0	0	0	0	0	0	1	0

4.1.2 20DB GAIN BOOST (BOOST)

Default = 0

0 - Disabled

1 - Enabled

Function:

Applies a 20dB digital gain to the input signal, regardless of the input path.

4.1.3 ANALOG INPUT MULTIPLEXER (AINMUX)

Default = 00

00 - Channel 1 direct to A/D

01 - Channel 2 direct to A/D

10 - Channel 2 through PGA to A/D

11 - Reserved

Function:

The analog input multiplexer selects the input channel as well as the input path associated with various gain stages.

4.1.4 POWER DOWN (PDN)

Default - 1

0 - Disabled

1 - Enabled

Function:

The entire ADC device will enter a low-power state whenever this function is activated. The power-down bit defaults to 'enabled' on power-up and must be disabled before normal operation will begin. The contents of the control registers are retained when this mode is enabled.

4.1.5 CONTROL PORT ENABLE (CP_EN)

Default = 0

0 - Disabled

1 - Enabled

Function:

The ADC will enter control port mode when this bit is enabled. This bit must be set prior to writing to the control port.

4.1.6 Interface Control (address 02h)

7	6	5	4	3	2	1	0
RESERVED	MCLKDIV	RATIO1	RATIO0	MASTER	DIF2	DIF1	DIF0
0	0	0	0	0	0	0	0

4.1.7 MASTER CLOCK DIVIDE (MCLKDIV)

Default = 0

0 - Disabled

1 - Enabled

Function:

Divides ADC MCLK by two prior to all other chip circuitry.

4.1.8 MASTER CLOCK RATIO (RATIO)

Default = 00

00 - 128x

01 - 192x

10 - 256x

11 - 384x

Function:

Sets the ratio of MCLK to LRCK for the ADC.

4.1.9 MASTER MODE (MASTER)

Default = 0

0 - Slave Mode

1 - Master Mode

Function:

Configures the CS42L50 for master or slave operation.

4.1.10 DIGITAL INTERFACE FORMAT (DIF)

Default = 000

000 - I²S, up to 24-bit data, data valid on positive edge of SCLK

001 - Left Justified, up to 24-bit data, data valid on positive edge of SCLK

010 - Reserved

011 - Right Justified, 16-bit data, data valid on positive edge of SCLK

100 - Right Justified, 24-bit data, data valid on positive edge of SCLK

101 - Right Justified, 18-bit data, data valid on positive edge of SCLK

110 - Right Justified, 20-bit data, data valid on positive edge of SCLK

111 - Reserved

Function:

The required relationship between the Left/Right clock, serial clock and serial data is defined by the Digital Interface Format and the options are detailed in Figures 25 through 30. It is recommended that the ADC and the DAC are configured for the same Digital Interface Format.

4.1.11 Analog I/O Control (address 03h)

7	6	5	4	3	2	1	0
MUTEL	MUTER	SZC1	SZC0	RESERVED	INDVC	L=R	HPFREEZE
0	0	1	1	0	0	0	0

4.1.12 LEFT/RIGHT CHANNEL MUTE (MUTE)

Default = 0

0 - Disabled

1 - Enabled

Function:

Digital mute of the left and right ADC channels.

4.1.13 SOFT RAMP AND ZERO CROSS ENABLE (SOFT/ZC)

Default = 11

00 - Change volume immediately

01 - Change volume at next zero cross time

10 - Change volume in 1dB steps

11 - Change volume in 1dB steps at every zero cross time

Function:

Soft Ramp Enable :

Soft Ramp allows level changes, both muting and attenuation, to be implemented via an incremental ramp. Digital volume control is ramped from the current level to the new level at a rate of 1/8 dB per left/right clock period. Analog volume control is ramped in 1 dB steps every 8 left/right clock periods in Single Speed mode, and 1dB every 16 left/right clock periods in Double Speed mode.

Zero Cross Enable :

Zero Cross enable dictates that signal level changes, either by attenuation changes or muting, will occur on a signal zero crossing to minimize audible artifacts. The requested level change will occur after a timeout period of 512 sample periods in Single Speed mode or 1024 sample periods in Double Speed mode (approximately 10.7ms at 48kHz sample rate) if the signal does not encounter a zero crossing. The zero cross function is independently monitored and implemented for each channel.

Soft Ramp and Zero Cross Enable :

Soft Ramp and Zero Cross enable dictates that signal level changes, either by attenuation changes or muting, will occur in 1 dB steps and be implemented on a signal zero crossing. The level change will occur after a timeout period of 512 sample periods in Single Speed mode or 1024 sample periods in Double Speed mode (approximately 10.7 ms at 48kHz sample rate) if the signal does not encounter a zero crossing. The zero cross function is independently monitored and implemented for each channel.

4.1.14 INDEPENDENT VOLUME CONTROL ENABLE (INDVC)

Default = 0

0 - Disabled

1 - Enabled

Function:

When this function is disabled, the AIN_L and AIN_R volume levels are controlled by the Left and Right Volume Control registers and the Independent Analog Gain Control registers are ignored.

When this function is enabled, the volume levels are determined by both the Volume Control registers and the Independent Analog Gain Control registers.

4.1.15 LEFT CHANNEL VOLUME = RIGHT CHANNEL VOLUME (L=R)

Default = 0

0 - Disabled

1 - Enabled

Function:

When this function is disabled, the left channel volume is determined by the left channel volume control register and right channel volume is determined by the right channel volume control register.

When enabled, the left and right channel volumes are determined by the left channel volume control register and the right channel volume control register is ignored.

4.1.16 HIGH-PASS FILTER FREEZE (HPFREEZE)

Default = 0

0 - Frozen

1 - Enabled

Function:

The high-pass filter works by continuously subtracting a measure of the dc offset from the output of the decimation filter. If the HPFREEZE bit is taken low during normal operation, the current value of the dc offset is frozen and this dc offset will continue to be subtracted from the conversion result.

4.1.17 Volume Control: Left Channel (address 04h) & Right Channel (address 05h)

7	6	5	4	3	2	1	0
VOL7	VOL6	VOL5	VOL4	VOL3	VOL2	VOL1	VOL0
0	0	0	0	0	0	0	0

Default = 0 (No attenuation)

Binary Code	Decimal Value	Volume Setting
00001010	12	+12 dB
00000111	7	+7 dB
00000000	0	0 dB
11000100	-60	-60 dB
10100110	-90	-90 dB

Function:

The volume control allows the user to alter the signal level in 1 dB increments from +12 to -96 dB, when the INDVC bit is disabled. When INDVC is enabled, the volume control can be altered in 1 dB increments from 0 to -96dB. Volume settings are decoded as shown above, using a 2's complement code. The volume changes are implemented as dictated by the Soft and Zero Cross bits in the Analog I/O Control register. All volume settings less than -96dB are equivalent to muting the channel.

4.1.18 Left/Right Analog Gain (address 06h)

7	6	5	4	3	2	1	0
LVOL3	LVOL2	LVOL1	LVOL0	RVOL3	RVOL2	RVOL1	RVOL0
0	0	0	0	0	0	0	0

Default = 0 (No gain)

Binary Code	Decimal Value	Volume Setting
0000	0	0 dB
0010	2	+2 dB
1010	6	+6 dB
1001	9	+9 dB
1100	12	+12 dB

Function:

The level of the left and right analog channels can be adjusted in 1dB increments as dictated by the Soft Ramp and Zero Cross bits from 0 to +12dB when routed through the PGA via the AINMUX bits. Levels are decoded as shown above. Levels above +12dB are interpreted as +12dB.

4.1.19 Clip Detection Status (address 07h)

7	6	5	4	3	2	1	0
RESERVED	RESERVED	RESERVED	RESERVED	RESERVED	RESERVED	CLIP_L	CLIP_R
0	0	0	0	0	0	0	0

Default = 0 (No clipping detected)

Function:

The Clip Flags indicate when there is an over-range condition anywhere in the CS42L50 internal signal path. These bits are “sticky”. They constantly monitor the ADC signal path and are set to 1 when an over-range condition occurs. They are reset to 0 when read.

4.2 DAC (Address = 0010001)

4.2.1 Power and Muting Control (address 01h)

7	6	5	4	3	2	1	0
AMUTE	SZC1	SZC0	POR	PDNHP	PDNLN	PDN	CP_EN
1	1	0	1	0	0	1	0

4.2.2 AUTO-MUTE (AMUTE)

Default = 1

0 - Disabled

1 - Enabled

Function:

The Digital-to-Analog converter output will mute following the reception of 8192 consecutive audio samples of static 0 or -1. A single sample of non-static data will release the mute. Detection and muting is done independently for each channel. The quiescent voltage on the output will be retained and the Mute Control pin will go active during the mute period. The muting function is affected, similar to volume control changes, by the Soft and Zero Cross bits in the Power and Muting Control register.

4.2.3 SOFT RAMP AND ZERO CROSS CONTROL (SZC)

Default = 10

00 - Immediate Change

01 - Zero Cross Digital and Analog

10 - Ramped Digital and Analog

11 - Reserved

Function:

Immediate Change

When Immediate Change is selected all level changes will take effect immediately in one step.

Zero Cross Digital and Analog

Zero Cross Enable dictates that signal level changes, either by attenuation changes or muting, will occur on a signal zero crossing to minimize audible artifacts. The requested level change will occur after a timeout period of 512 sample periods (10.7 ms at 48 kHz sample rate) if the signal does not encounter a zero crossing. The zero cross function is independently monitored and implemented for each channel.

Ramped Digital and Analog

Soft Ramp allows digital level changes, both muting and attenuation, to be implemented by incrementally ramping, in 1/8 dB steps, from the current level to the new level at a rate of 1 dB per 8 left/right clock periods. Analog level changes will occur in 1 dB steps on a signal zero crossing. The analog level change will occur after a timeout period of 512 sample periods (10.7 ms at 48 kHz sample rate) if the signal does not encounter a zero crossing. The zero cross function is independently monitored and implemented for each channel.

Note: Ramped Digital and Analog is not available in Double Speed Mode.

4.2.4 POWER DOWN HEADPHONE AMPLIFIER (PDNHP)

Default = 0

0 - Disabled

1 - Enabled

Function:

The headphone amplifier will independently enter a low-power state when this function is enabled.

4.2.5 POWER DOWN LINE AMPLIFIER (PDNLN)

Default = 0

0 - Disabled

1 - Enabled

Function:

The line output amplifier will independently enter a low-power state when this function is enabled.

4.2.6 POWER DOWN (PDN)

Default = 1

0 - Disabled

1 - Enabled

Function:

The entire DAC device will enter a low-power state when this function is enabled, and the contents of the control registers are retained in this mode. The power-down bit defaults to 'enabled' on power-up and must be disabled before normal operation will begin.

4.2.7 CONTROL PORT ENABLE (CP_EN)

Default = 0

0 - Disabled

1 - Enabled

Function:

The DAC will enter control port mode when this bit is enabled. This bit must be set prior to writing to the control port.

4.2.8 Channel A Analog Headphone Attenuation Control (address 02h) (HVOLA)
4.2.9 Channel B Analog Headphone Attenuation Control (address 03h) (HVOLB)

7	6	5	4	3	2	1	0
HVOLx7	HVOLx6	HVOLx5	HVOLx4	HVOLx3	HVOLx2	HVOLx1	HVOLx0
0	0	0	0	0	0	0	0

Default = 0 dB (No attenuation)

Function:

The Analog Headphone Attenuation Control operates independently from the Digital Volume Control. The Analog Headphone Attenuation Control registers allow attenuation of the headphone output signal for each channel in 1 dB increments from 0 to -25 dB. Attenuation settings are decoded using a 2's complement code, as shown in [Table 1](#). The volume changes are implemented as dictated by the Soft and Zero Cross bits in the Power and Muting Control register. All volume settings greater than zero are interpreted as zero.

Note: The Analog Headphone Attenuation only affects the headphone outputs. When set for levels greater than -10dB, the actual attenuation deviates from the register setting by more than 1 dB.

Binary Code	Decimal Value	Volume Setting
00000000	0	0 dB
11110110	-10	-10 dB
11110001	-15	-15 dB

Table 1. Example Analog Volume Settings

4.2.10 Channel A Digital Volume Control (address 04h) (DVOLA)
4.2.11 Channel B Digital Volume Control (address 05h) (DVOLB)

7	6	5	4	3	2	1	0
DVOLx7	DVOLx6	DVOLx5	DVOLx4	DVOLx3	DVOLx2	DVOLx1	DVOLx0
0	0	0	0	0	0	0	0

Default = 0 dB (No attenuation)

Function:

The Digital Volume Control registers allow independent control of the signal levels in 1 dB increments from +18 to -96 dB. Volume settings are decoded using a 2's complement code, as shown in [Table 2](#). The volume changes are implemented as dictated by the Soft and Zero Cross bits in the Power and Muting Control register. All volume settings less than -96 dB are equivalent to muting the channel via the ATAPI bits (see Section 4.46).

Note: The digital volume control affects both the line outputs and the headphone outputs. Setting this register to values greater than +18 dB will cause distortion in the audio outputs.

Binary Code	Decimal Value	Volume Setting
00001010	12	+12 dB
00000111	7	+7 dB
00000000	0	0 dB
11000100	-60	-60 dB
10100110	-90	-90 dB

Table 2. Example Digital Volume Settings

4.2.12 Tone Control (address 06h)

7	6	5	4	3	2	1	0
BB3	BB2	BB1	BB0	TB3	TB2	TB1	TB0
0	0	0	0	0	0	0	0

4.2.13 BASS BOOST LEVEL (BB)

Default = 0 dB (No Bass Boost)

Function:

The level of the shelving bass boost filter is set by Bass Boost Level. The level can be adjusted in 1 dB increments from 0 to +12 dB of boost. Boost levels are decoded as shown in [Table 3](#). Levels above +12 dB are interpreted as +12 dB.

Binary Code	Decimal Value	Boost Setting
0000	0	0 dB
0010	2	+2 dB
1010	6	+6 dB
1001	9	+9 dB
1100	12	+12 dB

Table 3. Example Bass Boost Settings

4.2.14 TREBLE BOOST LEVEL (TB)

Default = 0 dB (No Treble Boost)

Function:

The level of the shelving treble boost filter is set by Treble Boost Level. The level can be adjusted in 1 dB increments from 0 to +12 dB of boost. Boost levels are decoded as shown in [Table 4](#). Levels above +12 dB are interpreted as +12 dB.

Note: Treble Boost is not available in Double Speed Mode.

Binary Code	Decimal Value	Boost Setting
0000	0	0 dB
0010	2	+2 dB
1010	6	+6 dB
1001	9	+9 dB
1100	12	+12 dB

Table 4. Example Treble Boost Settings

4.2.15 Mode Control (address 07h)

7	6	5	4	3	2	1	0
BBCF1	BBCF0	TBCF1	TBCF0	A=B	DEM1	DEM0	VCBYP
0	0	0	0	0	0	0	0

4.2.16 BASS BOOST CORNER FREQUENCY (BBCF)

Default = 00
 00 - 50 Hz
 01 - 100 Hz
 10 - 200 Hz
 11 - Reserved

Function:

The bass boost corner frequency is user selectable as shown above.

4.2.17 TREBLE BOOST CORNER FREQUENCY (TBCF)

Default = 00
 00 - 2 kHz
 01 - 4 kHz
 10 - 7 kHz
 11 - Reserved

Function:

The treble boost corner frequency is user selectable as shown above.

Note: Treble Boost is not available in Double Speed Mode.

4.2.18 CHANNEL A VOLUME = CHANNEL B VOLUME (A=B)

Default = 0
 0 - Disabled
 1 - Enabled

Function:

The AOUTA/HP_A and AOUTB/HP_B volume levels are independently controlled by the A and the B Channel Volume Control Bytes when this function is disabled. The volume on both AOUTA/HP_A and AOUTB/HP_B are determined by the A Channel Attenuation and Volume Control Bytes, and the B Channel Bytes are ignored when this function is enabled.

4.2.19 DE-EMPHASIS CONTROL (DEM)

Default = 00
 00 - Disabled
 01 - 44.1 kHz
 10 - 48 kHz
 11 - 32 kHz

Function:

Selects the appropriate digital filter to maintain the standard 15 μ s/50 μ s digital de-emphasis filter response at 32, 44.1 or 48 kHz sample rates. (see Figure 31)

Note: De-emphasis is not available in Double Speed Mode.

4.2.20 DIGITAL VOLUME CONTROL BYPASS (VCBYP)

Default = 0
 0 - Disabled
 1 - Enabled

Function:

The digital volume control section is bypassed when this function is enabled. This disables the digital volume control, muting, bass boost, treble boost, limiting and ATAPI functions. The analog headphone attenuation control will remain functional.

4.2.21 Volume and Mixing Control (address 0Ah)

7	6	5	4	3	2	1	0
TC1	TC0	TC_EN	LIM_EN	ATAPI3	ATAPI2	ATAPI1	ATAPI0
0	0	0	0	1	0	0	1

4.2.22 TONE CONTROL MODE (TC)

Default = 00
 00 - All settings are taken from user registers
 01 - 12 dB of Bass Boost at 100 Hz and 6 dB of Treble Boost at 7 kHz
 10 - 8 dB of Bass Boost at 100 Hz and 4 dB of Treble Boost at 7 kHz
 11 - 4 dB of Bass Boost at 100 Hz and 2 dB of Treble Boost at 7 kHz

Function:

The Tone Control Mode bits determine how the Bass Boost and Treble Boost features are configured. The user defined settings from the Bass and Treble Boost Level and Corner Frequency registers are used when these bits are set to '00'. Alternately, one of three pre-defined settings may be used.

4.2.23 TONE CONTROL ENABLE (TC_EN)

Default = 0
 0 - Disabled
 1 - Enabled

Function:

The Bass Boost and Treble Boost features are active when this function is enabled.

4.2.24 ATAPI CHANNEL MIXING AND MUTING (ATAPI)

Default = 1001 - AOUTA/HP_A = L, AOUTB/HP_B = R (Stereo)

Function:

The CS42L50 implements the channel mixing functions of the ATAPI CD-ROM specification. Refer to [Table 5](#) and Figure 32 for additional information.

Note: All mixing functions occur prior to the digital volume control.

ATAPI3	ATAPI2	ATAPI1	ATAPI0	AOUTA/HP_A	AOUTB/HP_B
0	0	0	0	MUTE	MUTE
0	0	0	1	MUTE	R
0	0	1	0	MUTE	L
0	0	1	1	MUTE	[(L+R)/2]
0	1	0	0	R	MUTE
0	1	0	1	R	R
0	1	1	0	R	L
0	1	1	1	R	[(L+R)/2]
1	0	0	0	L	MUTE
1	0	0	1	L	R
1	0	1	0	L	L
1	0	1	1	L	[(L+R)/2]
1	1	0	0	[(L+R)/2]	MUTE
1	1	0	1	[(L+R)/2]	R
1	1	1	0	[(L+R)/2]	L
1	1	1	1	[(L+R)/2]	[(L+R)/2]

Table 5. ATAPI Decode

4.2.25 Mode Control 2 (address 0Bh)

7	6	5	4	3	2	1	0
MCLKDIV	LINE1	LINE0	RESERVED	RESERVED	DIF2	DIF1	DIF0
0	0	0	0	0	0	0	0

4.2.26 MASTER CLOCK DIVIDE ENABLE (MCLKDIV)

Default = 0

0 - Disabled

1 - Enabled

Function:

The MCLKDIV bit enables a circuit which divides the externally applied MCLK signal by 2 prior to all other DAC circuitry.

4.2.27 LINE AMPLIFIER GAIN COMPENSATION (LINE)

Default = 00

00 - 0.785 x VA

01 - 0.943 x VA

10 - Reserved

11 - Line Mute
Function:

The Line Amplifier Gain Compensation bits allow the user to scale the full-scale line output level according to the power supply voltage used. The full-scale line output level will be equal to {gain factor}xVA, where {gain factor} is selected from options above.

The Line Mute option is available to allow muting of the line output when the headphone output is still in use and the line amp is still powered up. To use this feature, first mute the outputs via the ATAPI bits. Next, set the LINE GAIN to Line Mute. Finally, un-mute the outputs with the ATAPI bits. Following these steps will ensure a click free mute.

4.2.28 DIGITAL INTERFACE FORMAT (DIF)

Default = 000 - Format 0 (I²S, up to 24-bit data)

Function:

The required relationship between the Left/Right clock, serial clock and serial data is defined by the Digital Interface Format and the options are detailed in Figures 25-30. It is recommended that the ADC and the DAC is configured for the same Digital Interface Format.

DIF2	DIF1	DIF0	DESCRIPTION	Format	FIGURE
0	0	0	I ² S, up to 24-bit data	0	30
0	0	1	Reserved	-	-
0	1	0	Left Justified, up to 24-bit data,	2	25
0	1	1	Right Justified, 24-bit data	3	27
1	0	0	Right Justified, 20-bit data	4	29
1	0	1	Right Justified, 16-bit data	5	26
1	1	0	Right Justified, 18-bit data	6	28
1	1	1	Identical to Format 0	0	30

Table 6. Digital Interface Format

5. PIN DESCRIPTIONS

Filter Capacitor	AFLTR	<input type="checkbox"/> 1•	28	<input type="checkbox"/>	RST	Reset
Filter Capacitor	AFLTL	<input type="checkbox"/> 2	27	<input type="checkbox"/>	SCL	Control Port Clock
Voltage Reference	FILT+_ADC	<input type="checkbox"/> 3	26	<input type="checkbox"/>	SDA	Control Port Data
Analog Input 2 Right	AIN_R2	<input type="checkbox"/> 4	25	<input type="checkbox"/>	LRCK	Left/Right Clock
Analog Input 2 Left	AIN_L2	<input type="checkbox"/> 5	24	<input type="checkbox"/>	SDOUT	Serial Audio Data Output
Ground Reference	REF_GND	<input type="checkbox"/> 6	23	<input type="checkbox"/>	VA	Analog Power
Analog Input 1 Right	AIN_R1	<input type="checkbox"/> 7	22	<input type="checkbox"/>	GND	Ground Reference
Analog Input 1 Left	AIN_L1	<input type="checkbox"/> 8	21	<input type="checkbox"/>	VL	Interface Power
Quiescent Voltage	VQ_ADC	<input type="checkbox"/> 9	20	<input type="checkbox"/>	SDIN	Serial Audio Data Input
Voltage Reference	FILT+_DAC	<input type="checkbox"/> 10	19	<input type="checkbox"/>	MCLK	Master Clock
Quiescent Voltage	VQ_DAC	<input type="checkbox"/> 11	18	<input type="checkbox"/>	SCLK	Serial Clock
Headphone A Output	HP_A	<input type="checkbox"/> 12	17	<input type="checkbox"/>	MUTEC	External Mute Control
Headphone Amp Power	VA_HP	<input type="checkbox"/> 13	16	<input type="checkbox"/>	AOUTL	Analog Output Left
Headphone B Output	HP_B	<input type="checkbox"/> 14	15	<input type="checkbox"/>	AOUTR	Analog Output Right

Pin Name	#	Pin Description
VA	23	Analog Power (Input) - Positive power supply for the analog section. Refer to the Recommended Operating Conditions for appropriate voltages.
VL	21	Logic Power (Input) - Determines the required signal level for the digital input/output. Refer to the Recommended Operating Conditions for appropriate voltages.
VA_HP	13	Headphone Amp Power (Input) - Positive power supply for the headphone amplifier. Refer to the Recommended Operating Conditions for appropriate voltages.
VQ_ADC VQ_DAC	9,11	Quiescent Voltage (Output) - Filter connection for internal quiescent voltage. VQ must be capacitively coupled to analog ground, as shown in the Typical Connection Diagram. The nominal voltage level is specified in the Analog Characteristics and Specifications section. VQ presents an appreciable source impedance and any current drawn from this pin will alter device performance. However, VQ can be used to bias the analog circuitry assuming there is no AC signal component and the DC current is less than 10uA.
REF_GND	6	Reference Ground (Input) - Ground reference for the internal sampling circuits and must be connected to analog ground.
GND	22	Ground (Input) - Ground reference. Should be connected to analog ground.
Serial Audio Interface		
MCLK	19	Master Clock (Input) - Clock source for the delta-sigma modulator and digital filters.
SCLK	18	Serial Clock (Input/Output) - Serial clock for the serial audio interface.
LRCK	25	Left Right Clock (Input/Output) - Determines which channel, Left or Right, is currently active on the serial audio data line. The frequency of the left/right clock must be at the audio sample rate, Fs.
SDIN	20	Serial Audio Data Input (Input) - Input for two's complement serial audio data.
SDOUT	24	Serial Audio Data Output (Output) - Output for two's complement serial audio data.

**Analog
Input/Output**

AIN_Rx	4, 5,	Analog Inputs (Input) - The full scale analog input level is specified in the Analog Input Characteristics specification table.
AIN_Lx	7,8	
AOUTL	15,	Analog Outputs (Output) - The full scale analog line output level is specified in the Analog Output Characteristics specifications table.
AOUTR	16	
HP_A	12,	Headphone Outputs (Output) - The full scale analog headphone output level is specified in the Analog Output Characteristics specifications table.
HP_B	14	

**Control Port
Interface**

SCL	27	Serial Control Port Clock (Input) - Serial clock for the serial control port. Requires an external pull-up resistor to the logic interface voltage as shown in the Typical Connection Diagram.
SDA	26	Serial Control Data (Input/Output) - SDA is a data I/O line and requires an external pull-up resistor to the logic interface voltage, as shown in the Typical Connection Diagram.

Control & Misc.

AFLTR	1,2	Anti-Aliasing Capacitors (Output) - Anti-aliasing capacitors for the left and right channels. An external capacitor is required from AFLTR and AFLTL to ground, as shown in the Typical Connections Diagram. AFLTR and AFLTL are not intended to supply external current, and any current drawn from these pins will alter device performance.
AFLTL		
FILT+_ADC	3	Positive Voltage Reference (Output) - Positive reference voltage for the internal sampling circuits. Requires the capacitive decoupling to AGND as shown in the Typical Connection Diagram.
FILT+_DAC	10	Positive Voltage Reference (Output) - Positive reference voltage for the internal sampling circuits. Requires the capacitive decoupling to AGND as shown in the Typical Connection Diagram.
MUTE_C	17	Mute Control (Output) - The Mute Control pin goes low during power-up initialization, reset, muting, power-down or if the master clock to left/right clock frequency ratio is incorrect. This pin is intended to be used as a control for an external mute circuit to prevent the clicks and pops that can occur in any single supply system. The use of an external mute circuit is not mandatory but may be desired for designs requiring the absolute minimum in extraneous clicks and pops.
RST	28	Reset (Input) - The device enters a low power mode and all internal registers are reset to their default settings when low. When high, the control port becomes operational and the CP_EN bits must be set and the PDN bits must be cleared before normal operation will occur. The control port cannot be accessed when Reset is low.

6. APPLICATIONS

6.1 Grounding and Power Supply Decoupling

As with any high resolution converter, the CS42L50 requires careful attention to power supply and grounding arrangements to optimize performance. Figure 4 shows the recommended power arrangement with VA, VA_HP, and VL connected to clean supplies. Decoupling capacitors should be located as close to the device package as possible. If desired, all supply pins may be connected to the same supply, but a decoupling capacitor should still be used on each supply pin.

6.2 Clock Modes

The CS42L50 operates in one of two clocking modes. Single Speed Mode supports input sample rates up to 50 kHz, and Double Speed Mode supports input sample rates up to 100 kHz. All clock modes use 64x oversampling.

6.3 EP73xx Serial Port Interface

Special considerations must be made when interfacing the CS42L50 with the EP73xx series of ARM processors. To receive stereo data from the ADC, connect the MCLK pin (pin 19) of the CS42L50 to the BUZ pin (pin 93) of the EP73xx, and run the serial port in 64Fs mode with MCLK generation enabled on the EP73xx. Any other configuration, either hardware or software modes, will result in mono data being produced from the ADC of the CS42L50.

6.4 De-Emphasis

The CS42L50 includes on-chip digital de-emphasis. Figure 31 shows the de-emphasis curve. The frequency response of the de-emphasis curve will scale proportionally with changes in sample rate, Fs.

The de-emphasis feature is included to accommodate older audio recordings that utilize pre-emphasis equalization as a means of noise reduction.

6.5 Recommended Power-up Sequence

- 1) Hold $\overline{\text{RST}}$ low until the power supply, master clock and left/right clock are stable. In this state, the control port is reset to its default settings and VQ_ADC and VQ_DAC will remain low.
- 2) Bring $\overline{\text{RST}}$ high. The device will remain in a low power state and VQ_ADC and VQ_DAC remain low. The control port will be accessible at this time and the desired register settings can be loaded after setting the CP_EN bits and while keeping the PDN bits set to 1.
- 3) Once the registers are configured as desired, set the PDN bits to 0, initiating the power-up sequence.

6.6 Optional External Headphone Mute

An external headphone mute circuit, as shown in the CDB42L50 datasheet schematic, is recommended to minimize the effects of output transients during power-up and power-down. This technique minimizes the audio transients commonly produced by single-ended, single-supply converters when it is implemented with external DC-blocking capacitors connected in series with the audio outputs.

Use of the Mute Control function on the line outputs is recommended for designs requiring the absolute minimum in extraneous clicks and pops. Also, use of the Mute Control function can enable the system designer to achieve idle channel noise/signal-to-noise ratios only limited by the external mute circuit. See the CDB42L50 datasheet for a suggested mute circuit.

7. CONTROL PORT INTERFACE

The control port is used to load all the internal settings. The operation of the control port may be completely asynchronous with the audio sample rate. However, to avoid potential interference problems, the control port pins should remain static if

no operation is required. Please note that the internal registers are separated into two unique chip address blocks, one for the control of the ADC and one for the control of the DAC portion of the codec.

SDA is a bidirectional data line. Data is clocked into and out of the part by the clock, SCL, with the clock to data relationship as shown in Figure 5. The upper 6 bits of the 7 bit address field must be 001000. To communicate with the CS42L50, the chip address should match that of the ADC (0010000) or DAC (0010001) address. The eighth bit of the address byte is the $\overline{R/W}$ bit (high for a read, low for a write). If the operation is a write, the

next byte is the Memory Address Pointer, MAP, which selects the register to be read or written. The MAP is then followed by the data to be written. If the operation is a read, the contents of the register pointed to by the MAP will be output after the chip address.

The CS42L50 has MAP auto increment capability, enabled by the INCR bit in the MAP register. If INCR is 0, then the MAP will stay constant for successive writes. If INCR is set to 1, then MAP will auto increment after each byte is written, allowing block reads or writes of successive registers.

7.1 Memory Address Pointer (MAP)

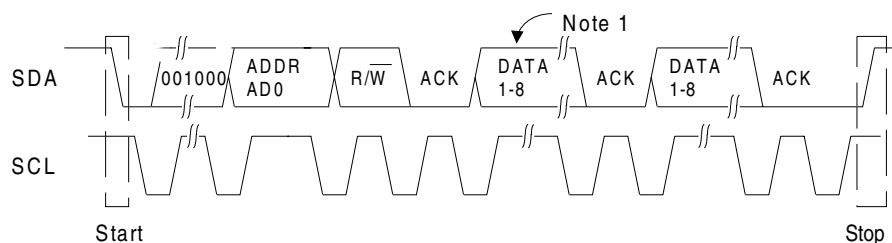
7	6	5	4	3	2	1	0
INCR	Reserved	Reserved	Reserved	MAP3	MAP2	MAP1	MAP0
0	0	0	0	0	0	0	0

7.2 INCR (AUTO MAP INCREMENT ENABLE)

Default = '0'
 0 - Disabled
 1 - Enabled

7.3 MAP0-3 (MEMORY ADDRESS POINTER)

Default = '0000'



Note: If operation is a write, this byte contains the Memory Address Pointer, MAP.

Figure 5. Control Port Timing

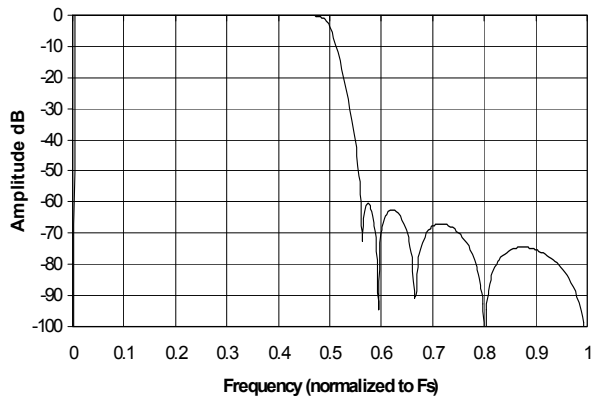


Figure 6. Decimation Filter Single Speed Stopband Rejection

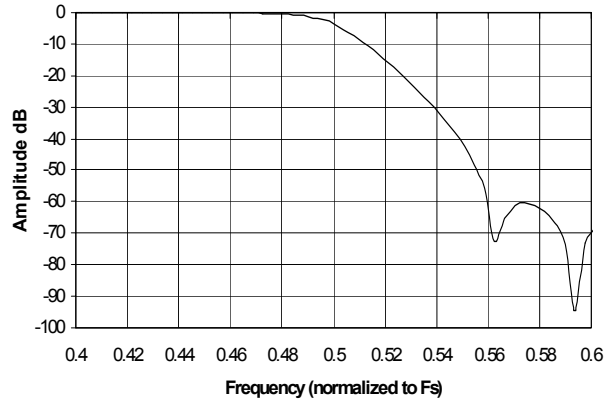


Figure 7. Decimation Filter Single Speed Transition Band

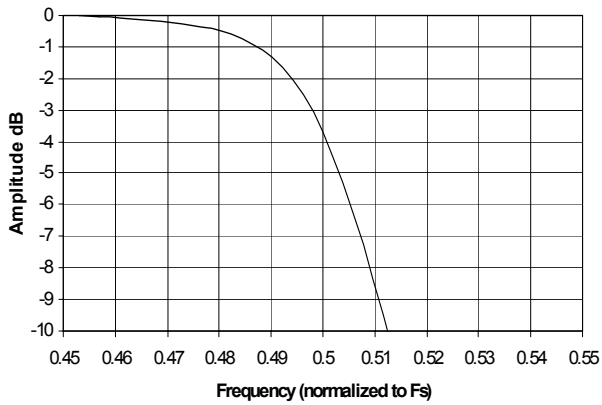


Figure 8. Decimation Filter Single Speed Transition Band (Detail)

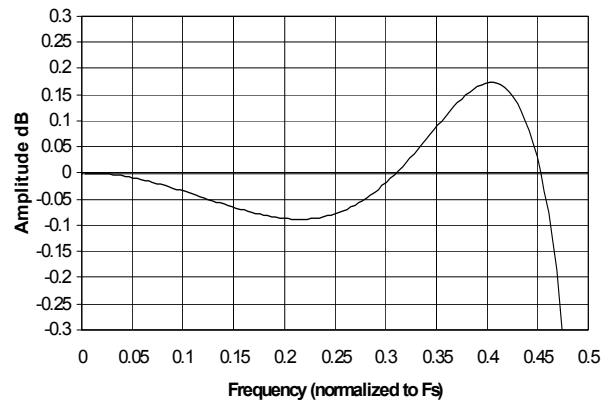


Figure 9. Decimation Filter Single Speed Passband Ripple

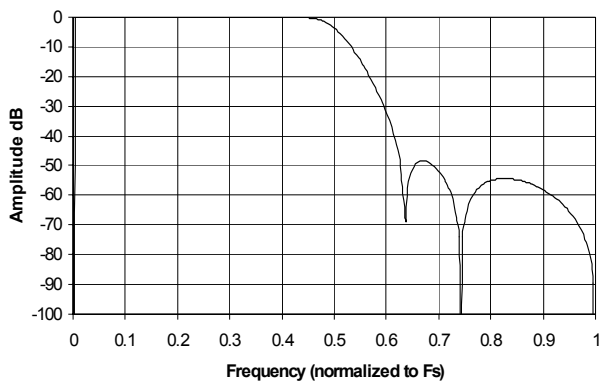


Figure 10. Decimation Filter Double Speed Stopband Rejection

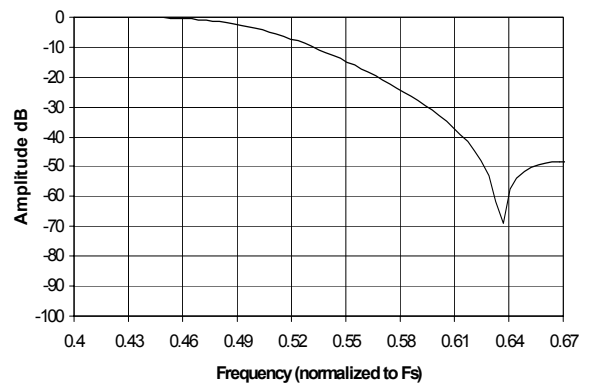


Figure 11. Decimation Filter Double Speed Transition Band

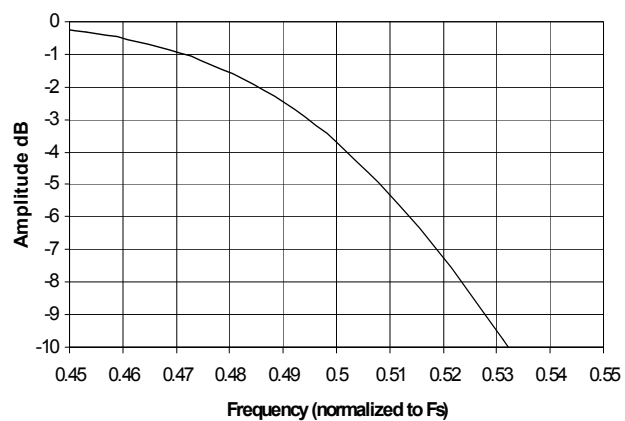


Figure 12. Decimation Filter Double Speed Transition Band (Detail)

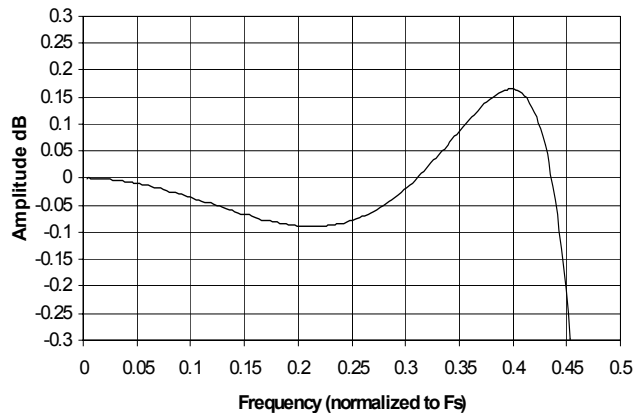


Figure 13. Decimation Filter Double Speed Passband Ripple

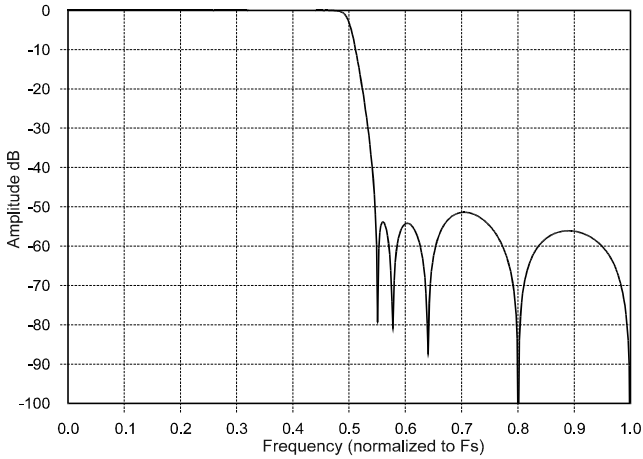


Figure 14. Interpolation Filter Single Speed Stopband Rejection

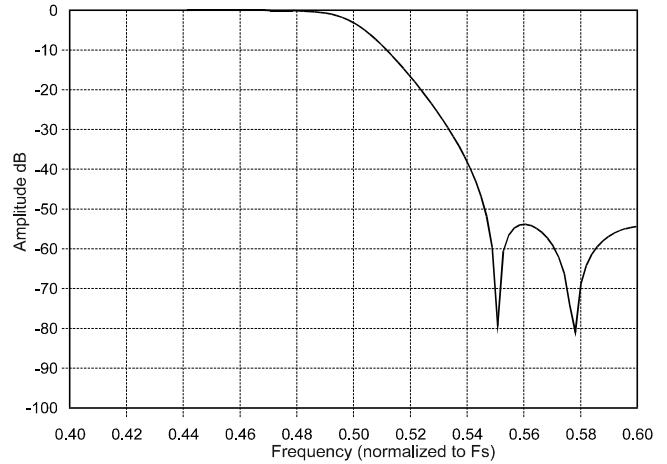


Figure 15. Interpolation Filter Single Speed Transition Band

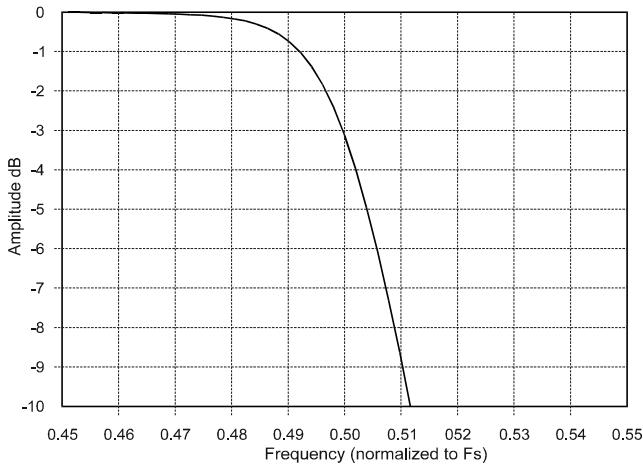


Figure 16. Interpolation Filter Single Speed Transition Band (Detail)

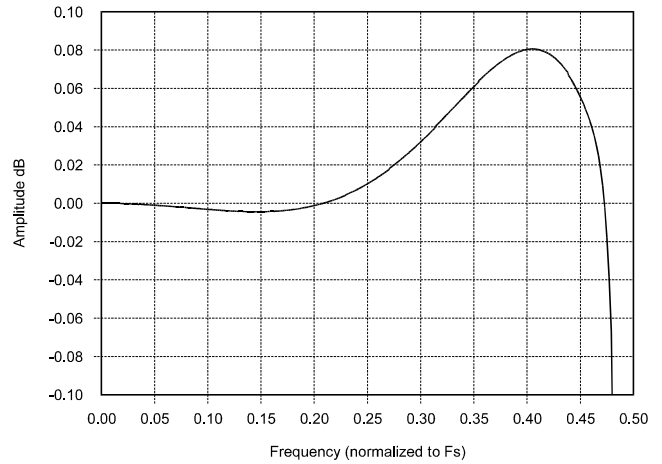


Figure 17. Interpolation Filter Single Speed Passband Ripple

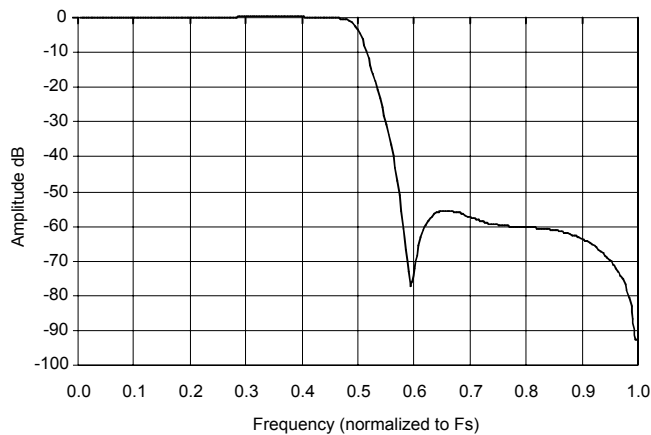


Figure 18. Interpolation Filter Double Speed Stopband Rejection

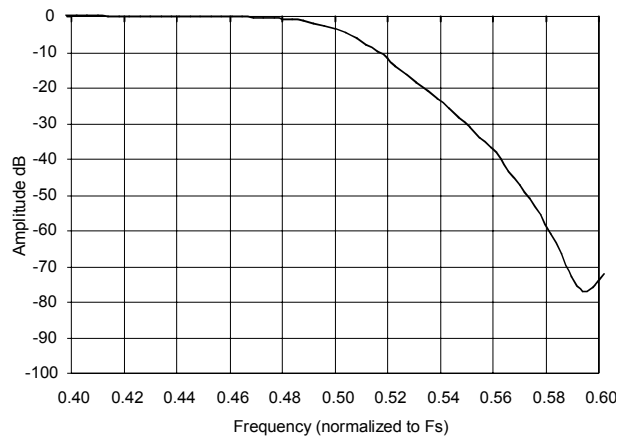


Figure 19. Interpolation Filter Double Speed Transition Band

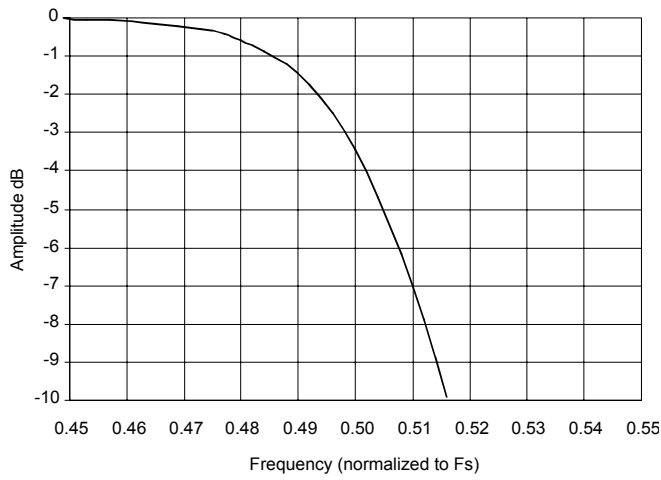


Figure 20. Interpolation Filter Double Speed Transition Band (Detail)

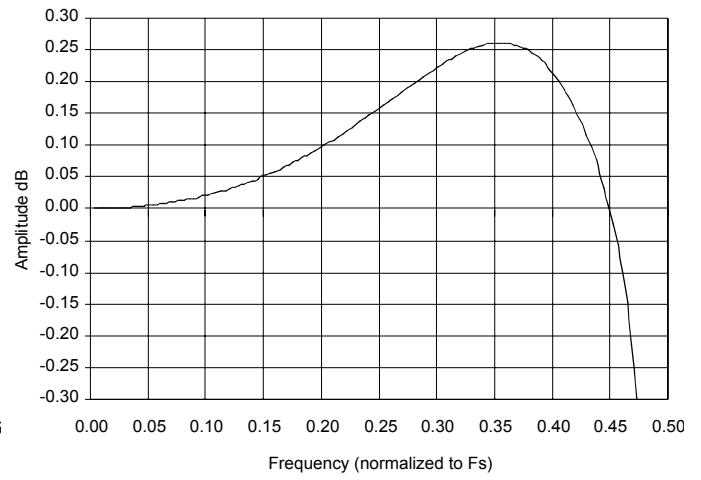


Figure 21. Interpolation Filter Double Speed Passband Ripple

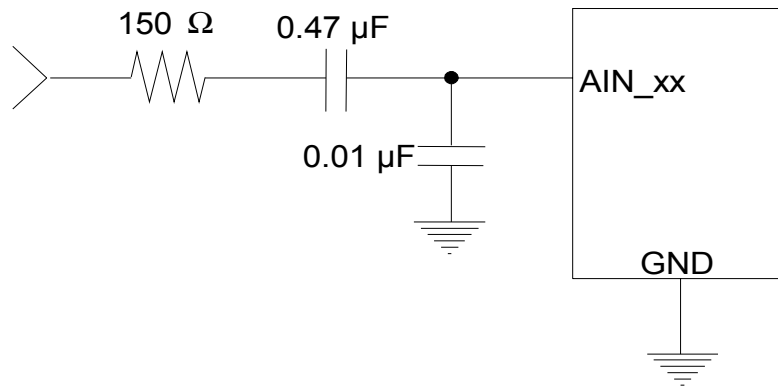
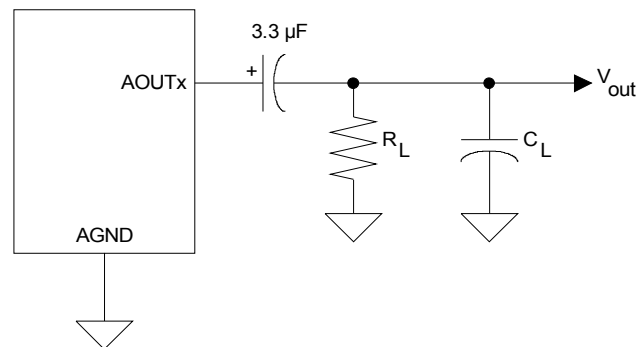
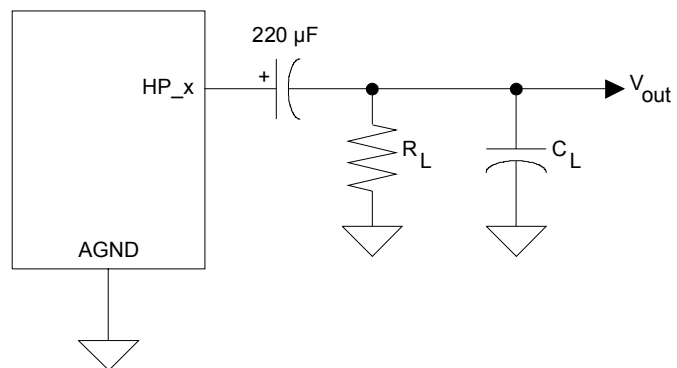
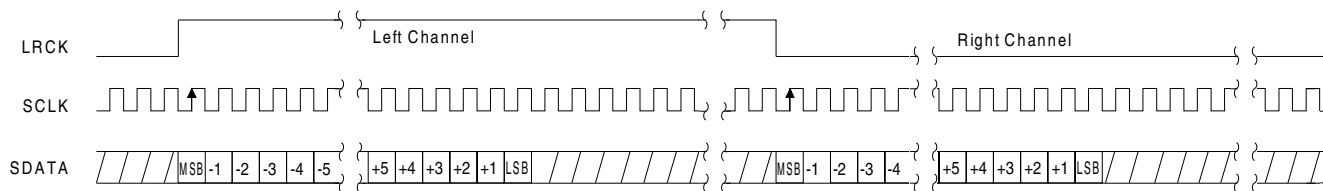


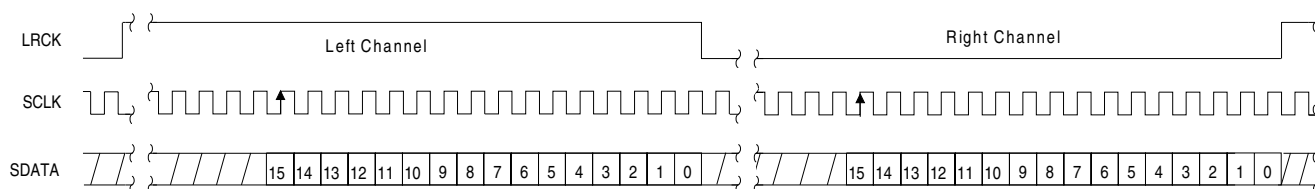
Figure 22. Line Input Test Circuit

**Figure 23. Line Output Test Load****Figure 24. Headphone Output Test Load**



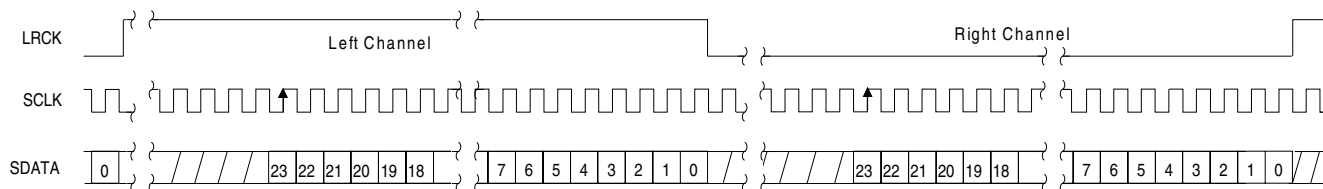
Left Justified, up to 24-Bit Data. Data Valid on Rising Edge of SCLK.

Figure 25. Left Justified, up to 24-bit data



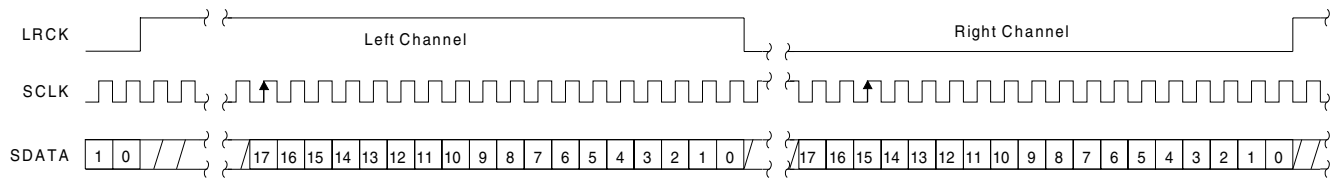
Right Justified, 16-Bit Data. Data Valid on Rising Edge of SCLK. SCLK Must Have at Least 32 Cycles per LRCK Period.

Figure 26. Right Justified, 16-bit data



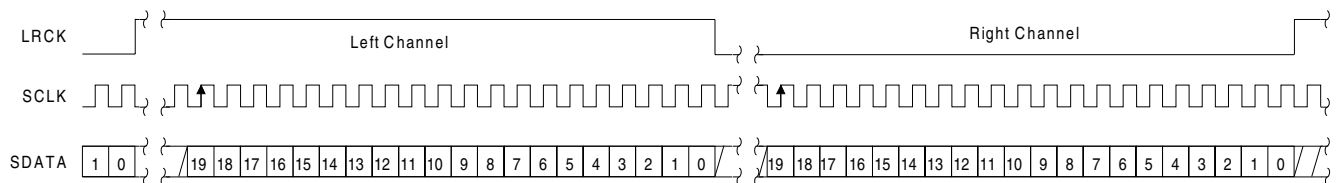
Right Justified, 24-Bit Data. Data Valid on Rising Edge of SCLK. SCLK Must Have at Least 48 Cycles per LRCK Period.

Figure 27. Right Justified, 24-bit data



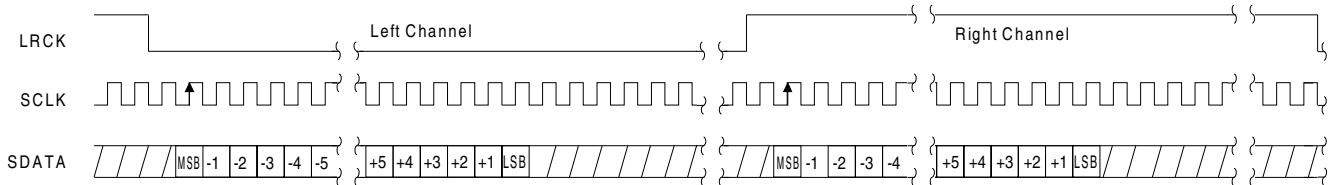
Right Justified, 18-Bit Data. Data Valid on Rising Edge of SCLK. SCLK Must Have at Least 36 Cycles per LRCK Period.

Figure 28. Right Justified, 18-bit data



Right Justified, 20-Bit Data. Data Valid on Rising Edge of SCLK. SCLK Must Have at Least 40 Cycles per LRCK Period.

Figure 29. Right Justified, 20-bit data



I²S, up to 24-Bit Data. Data Valid on Rising Edge of SCLK

Figure 30. I²S, up to 24-bit data

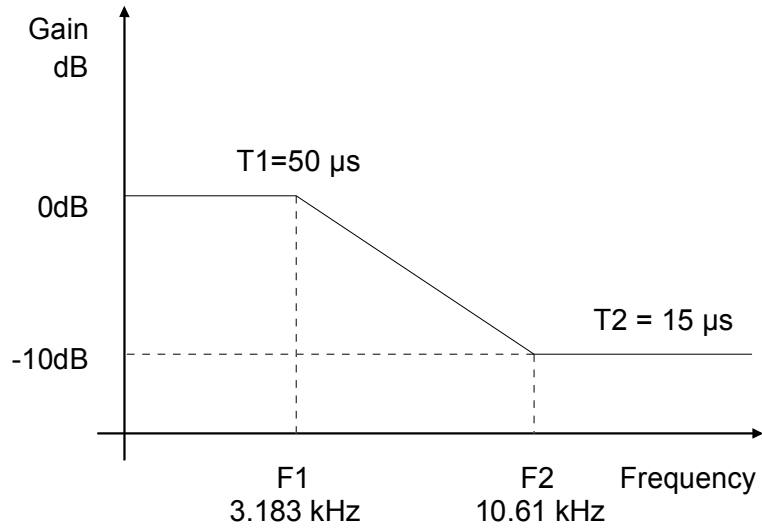


Figure 31. De-Emphasis Curve

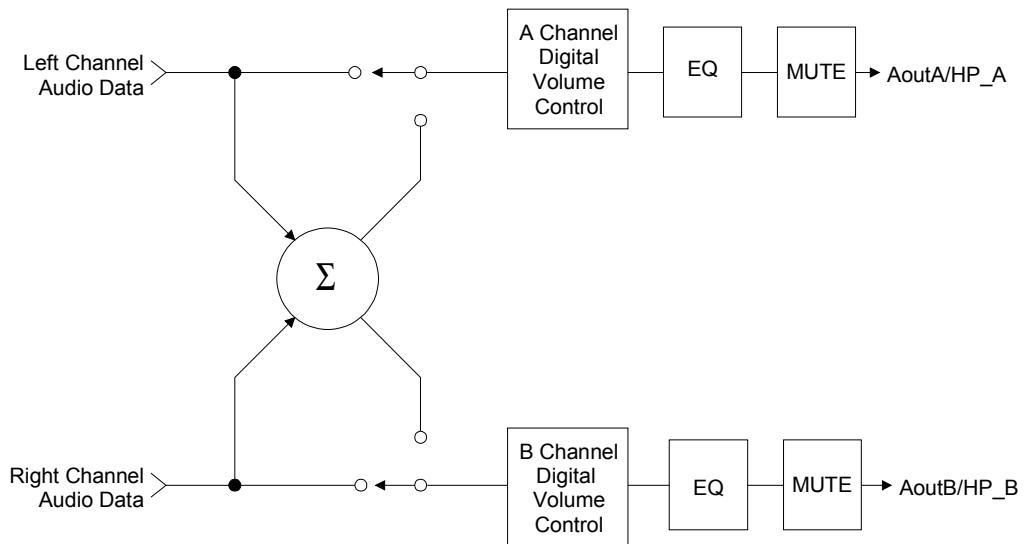


Figure 32. ATAPI Block Diagram

8. PARAMETER DEFINITIONS

Total Harmonic Distortion + Noise (THD+N)

The ratio of the rms value of the signal to the rms sum of all other spectral components over the specified bandwidth (typically 10 Hz to 20 kHz), including distortion components. Expressed in decibels.

Dynamic Range

The ratio of the full scale rms value of the signal to the rms sum of all other spectral components over the specified bandwidth. Dynamic range is a signal-to-noise measurement over the specified bandwidth made with a -60 dBFS signal. 60 dB is then added to the resulting measurement to refer the measurement to full scale. This technique ensures that the distortion components are below the noise level and do not affect the measurement. This measurement technique has been accepted by the Audio Engineering Society, AES17-1991, and the Electronic Industries Association of Japan, EIAJ CP-307.

Interchannel Isolation

A measure of crosstalk between the left and right channels. Measured for each channel at the converter's output with all zeros to the input under test and a full-scale signal applied to the other channel. Units in decibels.

Interchannel Gain Mismatch

The gain difference between left and right channels. Units in decibels.

Gain Error

The deviation from the nominal full scale analog output for a full scale digital input.

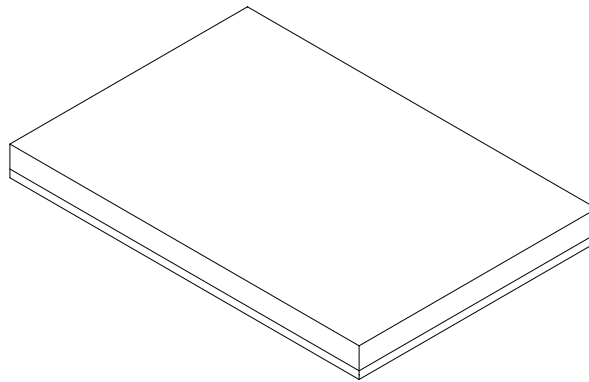
Gain Drift

The change in gain value with temperature. Units in ppm/°C.

9. REFERENCES

- 1) "How to Achieve Optimum Performance from Delta-Sigma A/D & D/A Converters" by Steven Harris. Paper presented at the 93rd Convention of the Audio Engineering Society, October 1992.
- 1) "The I²C-Bus Specification: Version 2.1" Philips Semiconductors, January 2000.
<http://semiconductors.philips.com>

10. PACKAGE DIMENSIONS



3. REFERENCE SPECIFICATIONS:
 - A. AAWW SPEC #001-0531-2234: PACKING OPERATION PROCEDURE
 - B. AAWW SPEC #001-0519-2062: MARKING.
2. THE BASIC METAL LAND GRID PITCH IS 0.65mm.
1. ALL DIMENSIONS AND TOLERANCES CONFORM TO ANSI Y14.5M-1994.

NOTES: UNLESS OTHERWISE SPECIFIED

UNLESS OTHERWISE SPECIFIED DIMENSIONS ARE IN MILLIMETERS DECIMAL ANGULAR X.X ±0.1 ±1° X.XX ±0.05 X.XXX ±0.030 INTERPRET DIM AND TOL PER ASME Y14.5M - 1994	THIRD ANGLE PROJECTION 		TITLE PACKAGE OUTLINE - CTSON 28, 6.60mm X 9.70mm X 0.81mm, 0.60mm MOLD CAP, 0.5mmX1.3mm PAD, 0.65mm PITCH, LAMINATE SUBSTRATE, AWW					
	APPROVALS	DATE					DESIGNED	DATE
MATERIAL	N/A	CHECKED	05/11/01	A3	N/A	82780	0A	RELEASED
FINISH	N/A	PRODUCT MANAGER	05/11/01	STRIP DWG NUMBER/REV	PKG OUTLINE DWG NO.	SCALE	SHEET	DO NOT SCALE DRAWING
				N/A	N/A	NONE	1 OF 3	

Figure 33. Package Dimensions

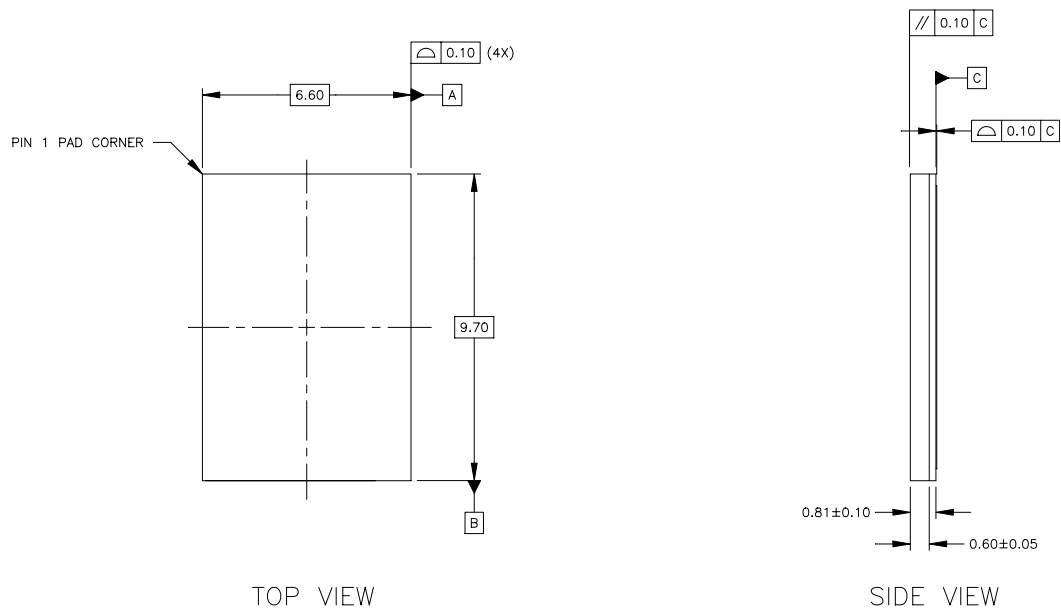


Figure 34. Package Top and Side Views

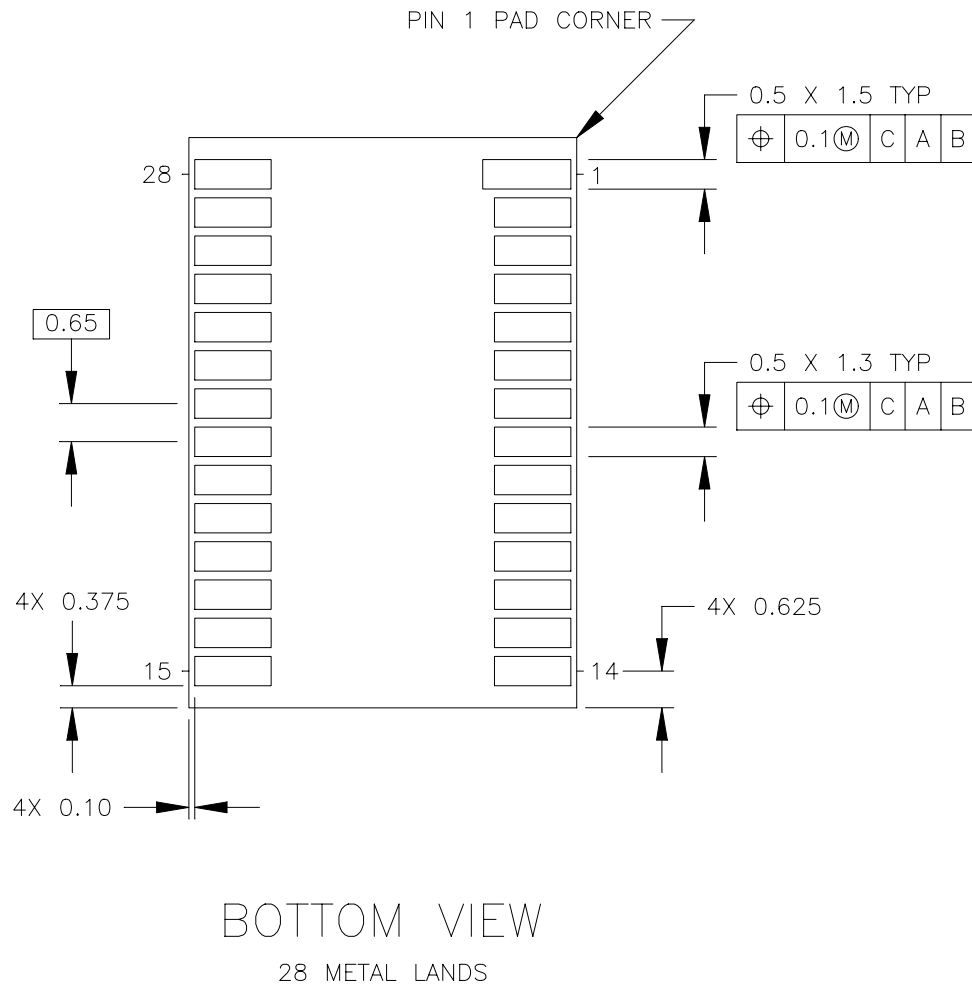


Figure 35. Package Bottom View

SMART
Analog™