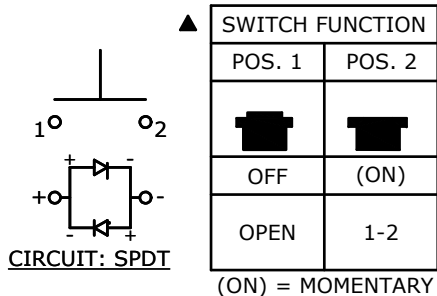
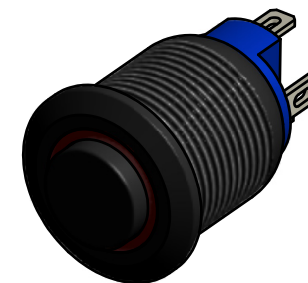
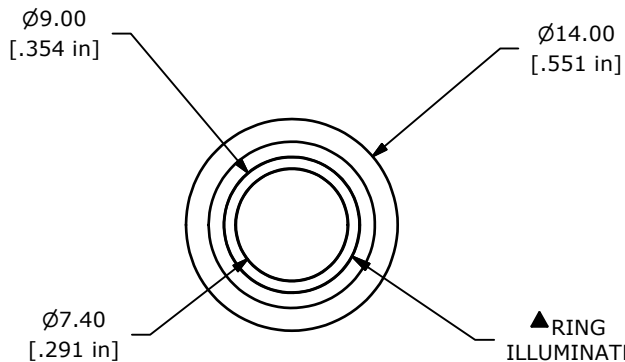


RECOMMENDED
PANEL CUT-OUT
1-6mm THICKNESS

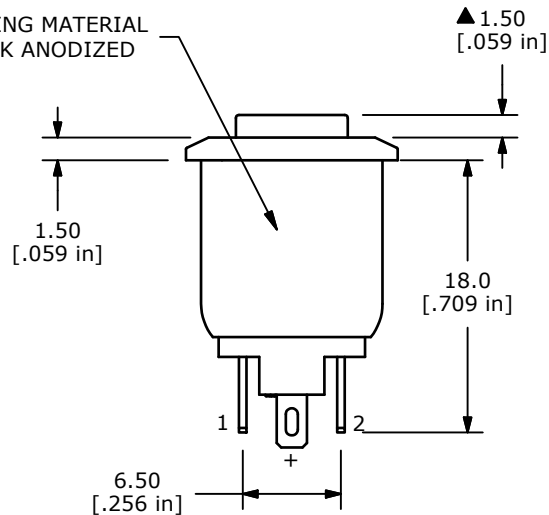


NOTE:

1. ALL DIMENSIONS IN MM [INCH]
2. GENERAL TOLERANCE: X.X = ± 0.4
X.XX = ± 0.25
3. TERMINAL NOS. FOR REF. ONLY
4. FUNCTION: SPST
5. RATING: 2A @ 48VDC
6. CONTACT RESISTANCE: 50mΩ MAX. @ 1A 12VDC
7. INSULATION RESISTANCE: 1,000MΩ @ 500VDC
8. DIELECTRIC STRENGTH: 2,000VAC MIN. FOR 1 MINUTE
9. ELECTRICAL LIFE: 200,000 CYCLES
10. CONTACT MATERIAL: SILVER
11. OPERATING TEMPERATURE: -20°C TO 55°C
12. INGRESS PROTECTION: IP65
- ▲13. LED VOLTAGE: BASE VOLTAGE 1.8V TYP.
- ▲14. LED COLOR: RED
15. ▲ DENOTES CRITICAL PARAMETER
16. 2002/95/EC (ROHS) COMPLIANT
17. HARDWARE INCLUDED: HEX NUT AND O-RING (NOT SHOWN)



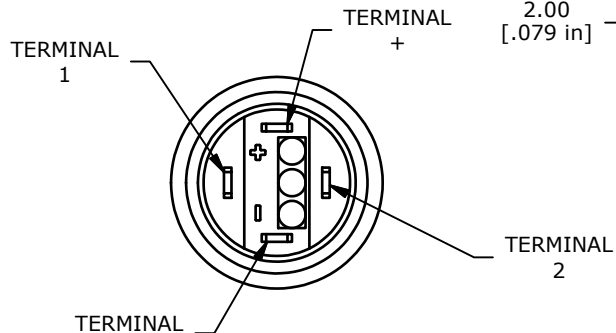
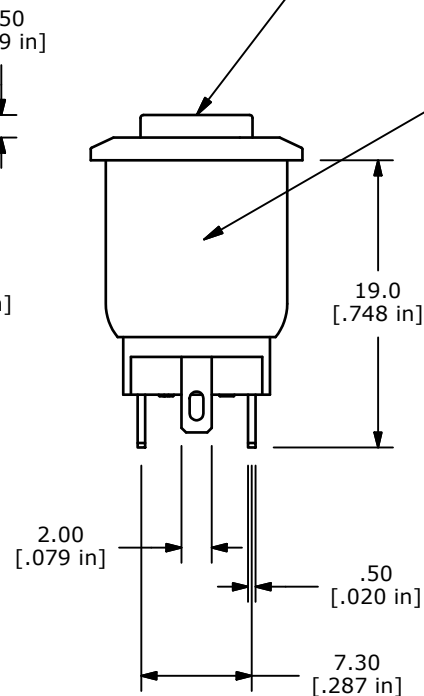
HOUSING MATERIAL
▲ BLACK ANODIZED



▲ RING
ILLUMINATED

▲ ACTUATOR MATERIAL
BLACK ANODIZED

▲ M12 x 0.5
THREAD



TITLE PV0H24011-311

A	22168	New Release	2/18/16	rc
REV	PCR NO	DESCRIPTION	DATE	BY

THE INFORMATION CONTAINED IN THIS DOCUMENT IS PROPRIETARY
TO E-SWITCH AND IS NOT TO BE COPIED OR TRANSFERRED

SCALE 2:1	DATE 2/18/2016	DR rc	DWG 52-PV0H24011311	REV A
--------------	-------------------	----------	------------------------	----------