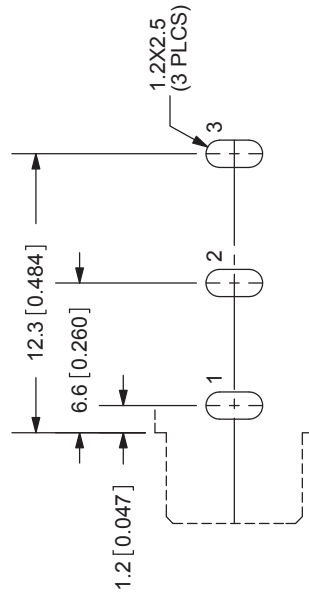
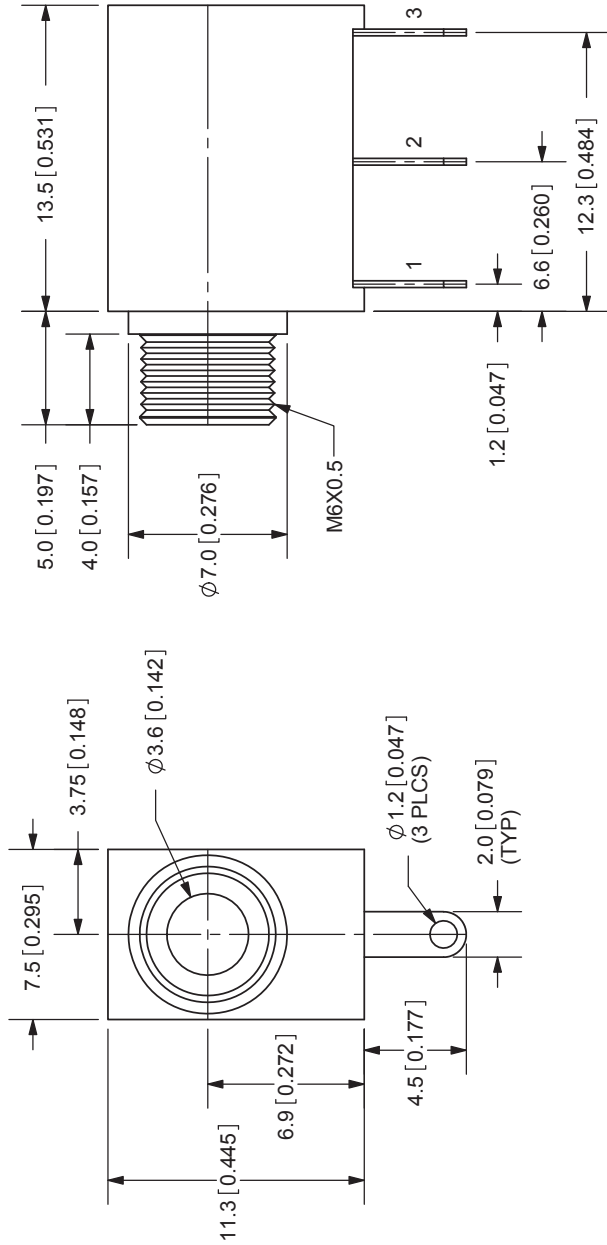


REV.	DESCRIPTION	DATE
A	NEW DRAWING	7/16/2007

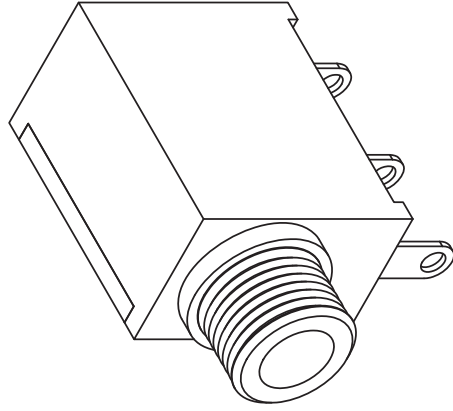


PCB LAYOUT  
TOP VIEW

MODEL NO.	MJ-3502
DIA.	THREADED M6X0.5
SCHEMATIC	

**SPECIFICATIONS:**  
 RATING: 12V DC @ 1A  
 CONTACT RESISTANCE: 30m OHMS MAX  
 INSULATION RESISTANCE: 100M OHMS MIN: 500V DC  
 VOLTAGE WITHSTAND: 500V AC R.M.S. FOR 1 MINUTE  
 LIFE: 5,000 CYCLES  
 OPERATING TEMP: -20° ~ +85°C

TERMINAL 1	MATERIAL	PLATING
TERMINAL 2	Brass	Silver
TERMINAL 3	Phosphor Bronze	Silver
BARREL	Brass	Silver
HOUSING	Brass	Nickel
COVER	POM	Black Color
	PC	Transparent



TOLERANCE:  
#0.3mm UNLESS OTHERWISE  
SPECIFIED



20050 SW 112th Ave.  
 Tualatin, OR 97062  
 Phone: 503-612-2300  
 800-275-4899  
 Fax: 503-612-2383  
 Website: www.cui.com

TITLE:	3.5mm AUDIO JACK - MONO	REV:	A
PART NO:	MJ-3502	UNITS:	MM [INCHES]
DRAWN BY:	ZRJ	APPROVED BY:	
		SCALE:	3:1