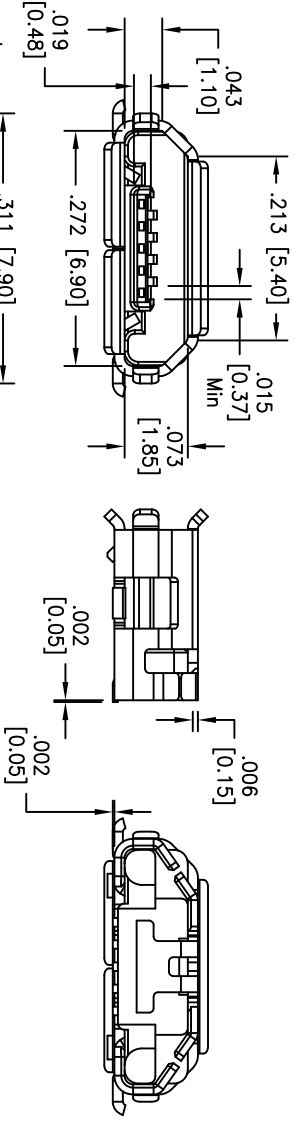
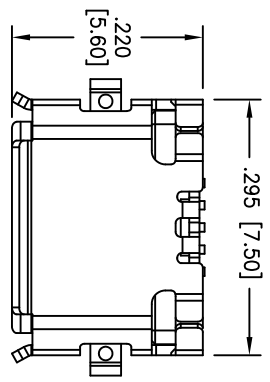
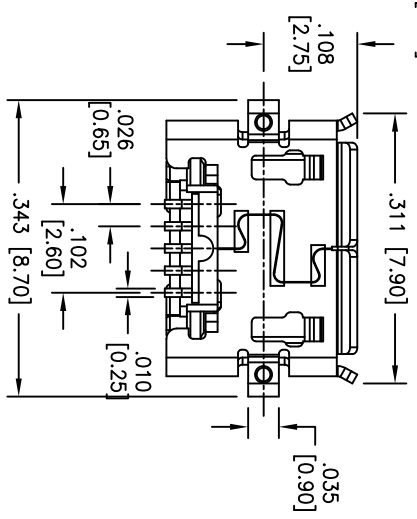
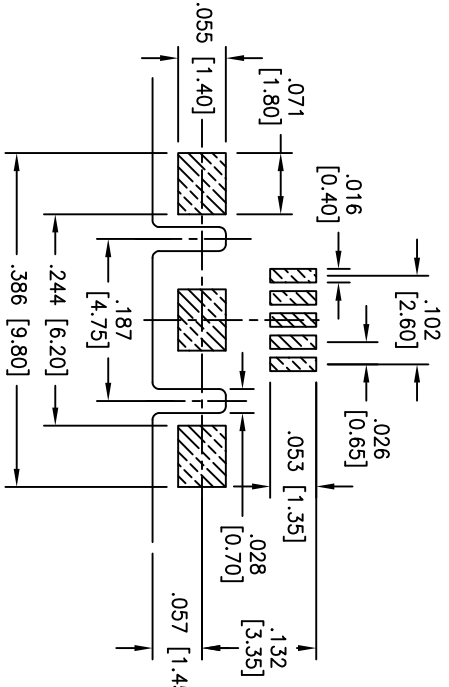


Rev	AWO #	Description	Date	Appr
-		RELEASED	4/26/11	

APPROVED: \_\_\_\_\_  
 DATE: \_\_\_\_\_ TITLE: \_\_\_\_\_



RECOMMENDED PCB LAYOUT



**SPECIFICATIONS:**

- Material: Insulator: LCP, glass reinforced, rated UL 94V-0
- Insulator color: Black
- Contacts: Phosphor Bronze
- Shell: Brass
- Plating: Gold Flash over Nickel underplate overall

- Electrical: Operating voltage: 30 VAC max. Current rating: 1.5 Amp max. Contact resistance: 30 mohms max. Insulation resistance: 100 Mohms min. @ 100 VDC Withstand voltage: 100 VAC for 1 minute
- Packaging: Supplied on Tape & Reel
- Environmental: Lead free, RoHS compliant.
- Recommended soldering temp: 260°C for 5 sec.

**ADAM TECH**

909 Railway Avenue, Union, NJ 07083  
 Phone: 908-687-5000 Fax: 908-687-5710

TITLE: MICRO USB, TYPE B, SINGLE PORT  
 FEMALE, SMT TYPE, TAPE & REEL

UNLESS OTHERWISE SPECIFIED ALL DIMENSIONS ARE INCHES [MM]	
TOLERANCES: EXCEPT AS NOTED	
INCHES	HOLDS
X ± .10	ØX ± .10
.XX ± .020	ØXX ± .015
.XXX ± .015	ØXXX ± .010
APPROVALS	DATE
DRAWN DY	4/26/11
CHECKED	
APPROVED	

SIZE	PART NO.	REV.
X	MCR-B-S-RA-TSMT-INV-T/R	-
REF: S0002C	SCALE: NTS	SHEET 1 OF 1

