

**Small Signal Product**

**TO-92 NPN Bipolar Transistor**

**FEATURES**

- The transistor is subdivided into four groups according to its DC current gain: O, Y, GR, BL
- Pb free and RoHS compliant

**MECHANICAL DATA**

- Case: TO-92 small outline plastic package
- High temperature soldering guaranteed: 260°C/10s
- Weight: 195mg (approximately)

**APPLICATION**

- General purpose switching and AF amplifier application



1. Emitter
2. Collector
3. Base



**TO-92**

<b>MAXIMUM RATINGS AND ELECTRICAL CHARACTERISTICS</b> ( $T_A=25^\circ\text{C}$ unless otherwise noted)			
PARAMETER	SYMBOL	VALUE	UNIT
Collector Power Dissipation	$P_C$	0.5	W
Collector-Base Voltage	$V_{CBO}$	60	V
Collector-Emitter Voltage	$V_{CEO}$	50	V
Emitter-Base Voltage	$V_{EBO}$	5	V
Collector Current	$I_C$	0.15	A
Thermal Resistance From Junction to Ambient	$R_{\theta JA}$	250	$^\circ\text{C}/\text{W}$
Junction and Storage Temperature Range	$T_J, T_{STG}$	-55 to + 150	$^\circ\text{C}$

PARAMETER	SYMBOL	MIN	MAX	UNIT
Collector Cut-off Current $V_{CB}=60\text{V}, I_E=0$	$I_{CBO}$	-	0.1	$\mu\text{A}$
Emitter Cut-off Current $V_{EB}=5\text{V}, I_C=0$	$I_{EBO}$	-	0.1	$\mu\text{A}$
DC Current Gain $V_{CE}=6\text{V}, I_C=2\text{mA}$	$h_{FE(1)}$	70	700	
	$h_{FE(2)}$	25		
Collector-Emitter Saturation Voltage $I_C=100\text{mA}, I_B=10\text{mA}$	$V_{CE(sat)}$		0.25	V
Base-Emitter Saturation Voltage $I_C=100\text{mA}, I_B=10\text{mA}$	$V_{BE(sat)}$		1	V
Transition Frequency $V_{CE}=10\text{V}, I_C=1\text{mA}$	$f_T$	80		MHz
Collector Output Capacitance $V_{CB}=10\text{V}, I_E=0, f=1\text{MHz}$	$C_{ob}$		3.5	pF

**CLASSIFICATION OF  $h_{FE}$**

RANK	O	Y	GR	BL
RANGE	70-140	120-240	200-400	300-700

**Small Signal Product**

**RATINGS AND CHARACTERISTICS CURVES**

( $T_A=25^\circ\text{C}$  unless otherwise noted)

FIG.1 Static Characteristic

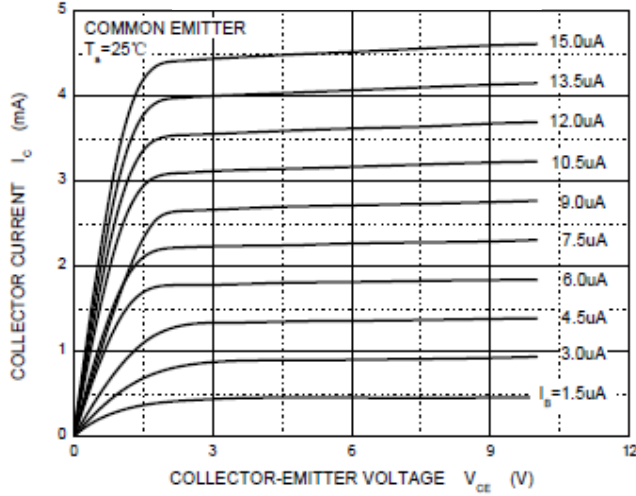


FIG.2  $h_{FE}$  vs.  $I_C$

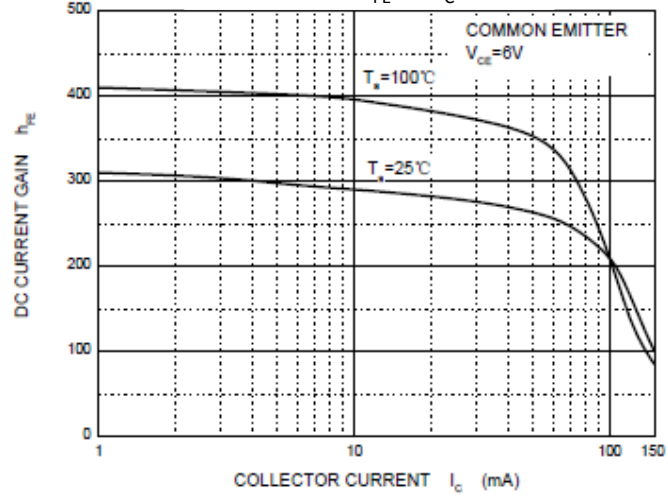


FIG.3  $V_{CE(sat)}$  vs.  $I_C$

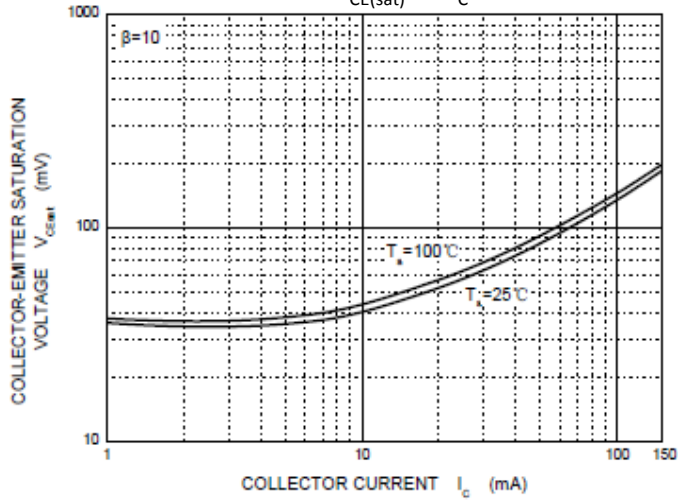


FIG.4  $V_{BE(sat)}$  vs.  $I_C$

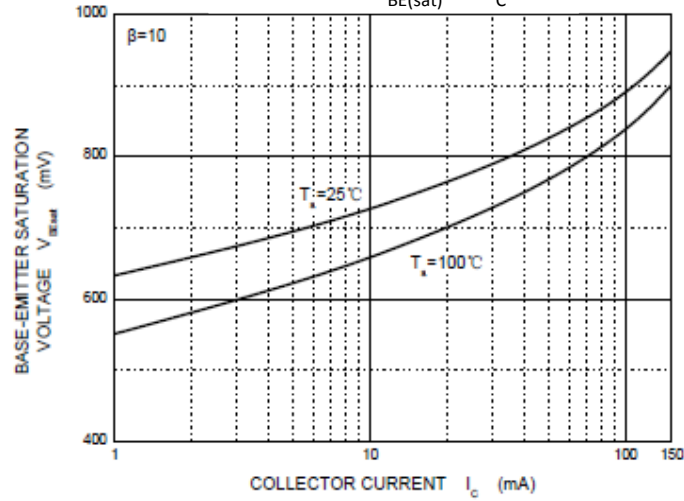


FIG.5  $C_{ob} / C_{ib}$  vs.  $V_{CB} / V_{Eb}$

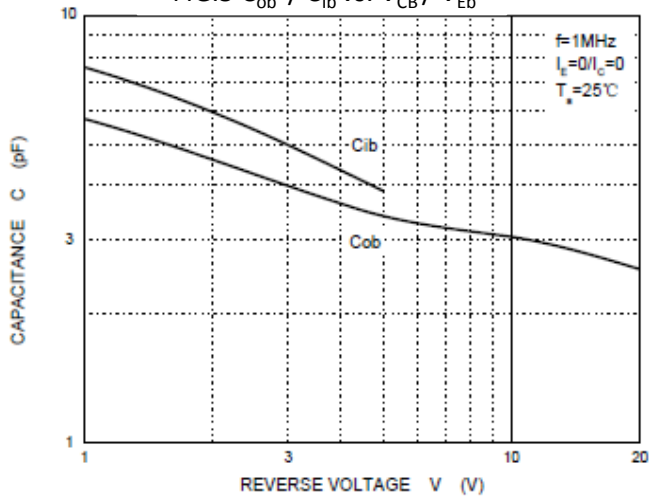
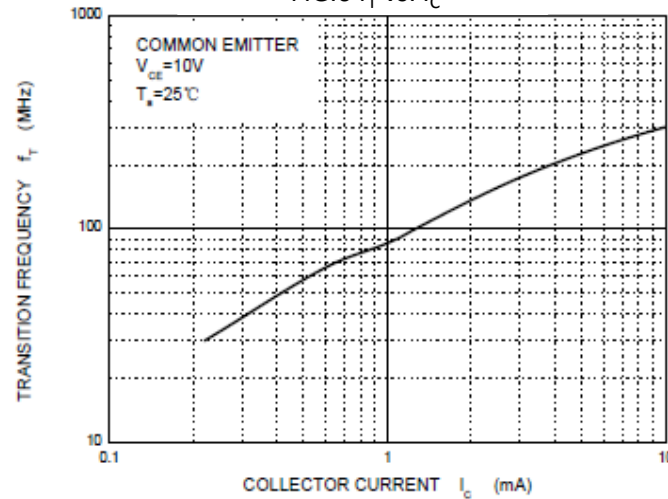


FIG.6  $f_T$  vs.  $I_C$



**Small Signal Product**

<b>ORDERING INFORMATION</b>						
<b>PART NO.</b>	<b>MANUFACTURE CODE</b>	<b>PACKING CODE</b>	<b>GREEN COMPOUND CODE</b>	<b>PACKAGE</b>	<b>PACKING</b>	<b>MARKING</b>
KTC3198-xx (Note2)	(Note1)	A1	G	TO-92	4K / Ammo	KTC 3198 xx021 (Note3)
		B1	G	TO-92	5K / Bulk	
		A2	G	TO-92	2K / Ammo	
		B2	G	TO-92	10K / Bulk	
KTC3198-xx (Note2)	B0	A1	G	TO-92	4K / Ammo	KTC 3198 xx021 (Note3)
KTC3198-xx (Note2)	B0	B1	G	TO-92	5K / Bulk	
KTC3198-xx (Note2)	M0	A2	G	TO-92	2K / Ammo	
KTC3198-xx (Note2)	M0	B2	G	TO-92	10K / Bulk	

Note1: Indicator of manufacturing site for manufacture special control, if empty means no special control requirement

Note2: "xx" means device code of "O", "Y", "GR", "BL"

Note3: "MARKING" should follow the "PART NO.", for example, if "PART NO." is KTC3198-O, which

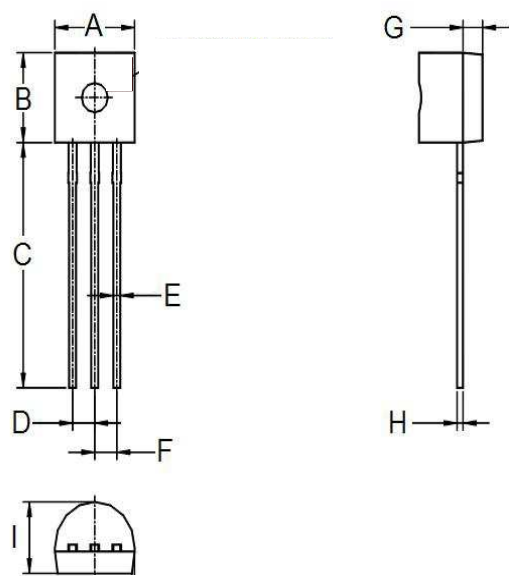
"MARKING" is   KTC  
                  3198  
                  O021

<b>EXAMPLE</b>					
<b>PREFERRED P/N</b>	<b>PART NO.</b>	<b>MANUFACTURE CODE</b>	<b>PACKING CODE</b>	<b>GREEN COMPOUND CODE</b>	<b>DESCRIPTION</b>
KTC3198-O A1G	KTC3198-O		A1	G	Green compound
KTC3198-O-B0 A1G	KTC3198-O	B0	A1	G	Green compound
KTC3198-O-B0 B1G	KTC3198-O	B0	B1	G	Green compound
KTC3198-O-M0 A2G	KTC3198-O	M0	A2	G	Green compound
KTC3198-O-M0 B2G	KTC3198-O	M0	B2	G	Green compound

**Small Signal Product**

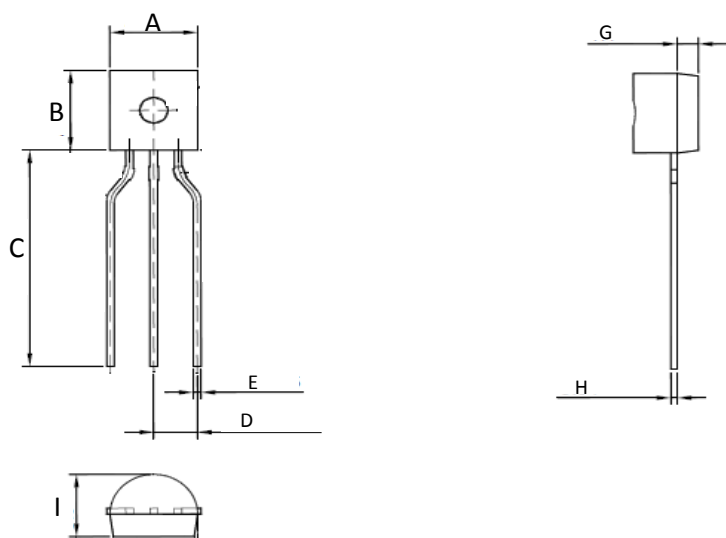
**PACKAGE OUTLINE DIMENSIONS**

**TO-92 Bulk**



DIM.	Unit (mm)		Unit (inch)	
	Min	Max	Min	Max
A	4.30	4.70	0.169	0.185
B	4.30	4.70	0.169	0.185
C	12.50	14.50	0.492	0.571
D	1.17	1.37	0.046	0.054
E	0.35	0.55	0.014	0.022
F	1.17	1.37	0.046	0.054
G	0.59	1.20	0.023	0.047
H	0.29	0.51	0.011	0.020
I	3.30	3.70	0.130	0.146

**TO-92 Ammo**



DIM.	Unit (mm)		Unit (inch)	
	Min	Max	Min	Max
A	4.30	4.70	0.169	0.185
B	4.30	4.70	0.169	0.185
C	12.50	-	0.492	-
D	2.20	2.80	0.087	0.110
E	0.35	0.55	0.014	0.022
G	0.59	1.20	0.023	0.047
H	0.29	0.51	0.011	0.020
I	3.30	3.70	0.130	0.146

**Small Signal Product****Notice**

Specifications of the products displayed herein are subject to change without notice. TSC or anyone on its behalf, assumes no responsibility or liability for any errors in accuracies.

Information contained herein is intended to provide a product description only. No license, express or implied, to any intellectual property rights is granted by this document. Except as provided in TSC's terms and conditions of sale for such products, TSC assumes no liability whatsoever, and disclaims any express or implied warranty, relating to sale and/or use of TSC products including liability or warranties relating to fitness for a particular purpose, merchantability, or infringement of any patent, copyright, or other intellectual property right.

The products shown herein are not designed for use in medical, life-saving, or life-sustaining applications. Customers using or selling these products for use in such applications do so at their own risk and agree to fully indemnify TSC for any damages resulting from such improper use or sale.