

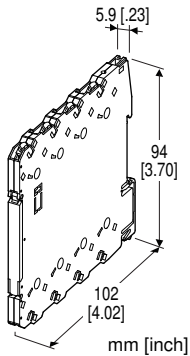
## Remote I/O R6 Series

### DC CURRENT OUTPUT MODULE

(2 points, Tension clamp)

#### Functions & Features

- 2 channels for DC current output, compact size remote I/O module
- Output range adjustment with DIP switch or PC configurator



### MODEL: R6S-YS2[1]

#### ORDERING INFORMATION

- Code number: R6S-YS2[1]
- Specify a code from below for [1].  
(e.g. R6S-YS2/Q)
- Specify the specification for option code /Q  
(e.g. /C01)

#### [1] OPTIONS

blank: none

/Q: With options (specify the specification)

#### SPECIFICATIONS OF OPTION: Q

##### COATING

/C01: Silicone coating

/C02: Polyurethane coating

#### RELATED PRODUCTS

- PC configurator software (model: R6CON)  
Downloadable at M-System's web site.  
A dedicated cable is required to connect the module to the PC. Please refer to the internet software download site or the users manual for the PC configurator for applicable cable types.

#### PACKAGE INCLUDES...

Resistor for unused output terminals (250Ω, 0.25 W)

#### GENERAL SPECIFICATIONS

##### Connection

**Internal bus:** Via the Installation Base (model: R6S-BS)

**Output:** Tension clamp

(Applicable wire size: 0.2 to 2.5 mm<sup>2</sup>, stripped length 8 mm)

**Internal power:** Via the Installation Base (model: R6S-BS)

**Housing material:** Flame-resistant resin (black)

**Isolation:** Output 1 to output 2 to internal bus or internal power

**Zero adjustments:** PC programming

**Span adjustments:** PC programming

**Module address:** Selectable with DIP and rotary switches on the side

**Output at the loss of communication:** Selectable with the side DIP SW

**Configuration mode:** With DIP switches on the side panel

**Power indicator:** Green LED; Refer to the instruction manual for details.

**Status indicator:** Bi-color (red/green) LED;  
Refer to the instruction manual for details.

#### OUTPUT SPECIFICATIONS

**Overrange output:** -15 to +115 %

**Output range:** 4 - 20 mA DC

**Load resistance:** 550 Ω max.

#### INSTALLATION

**Current consumption:** 45 mA

**Operating temperature:** -10 to +55°C (14 to 131°F)

**Operating humidity:** 30 to 90 %RH (non-condensing)

**Atmosphere:** No corrosive gas or heavy dust

**Mounting:** Installation Base (model: R6S-BS)

**Weight:** 60 g (2.1 oz)

#### PERFORMANCE

**Conversion accuracy:** ±0.1 %

**Data range:** 0 - 10000 of the output range

**Data allocation:** 2

**Temp. coefficient:** ±0.01 %/°C (±0.006 %/°F)

**Response time:** ≤ 0.25 sec. (0 - 90 %)

**Line voltage effect:** ±0.1 % over voltage range

**Insulation resistance:** ≥ 100 MΩ with 500 V DC

**Dielectric strength:** 1500 V AC @ 1 minute (output 1 to output 2 to internal bus or internal power to ground)

## STANDARDS & APPROVALS

### EU conformity:

EMC Directive

EMI EN 61000-6-4

EMS EN 61000-6-2

RoHS Directive

## FUNCTIONS

### ■ OUTPUT HOLD

The output function in case of a loss of communication is selectable with the side DIP SW: Reset the output (to -15 %), Hold the output (last normally received data) or Fix the output at a specific value (PC programming).

The output is held at -15 % of the output range until normal data is received at the startup.

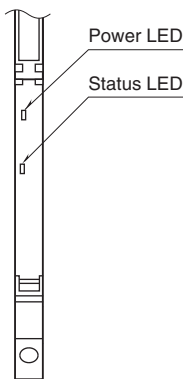
### ■ OUTPUT WIRE BREAKDOWN DETECTION

In the case of wire breakdown, output error is detected. Then, the status indicator LED blinks (0.5 seconds per cycle) and the flag of error is set on the PLC etc.

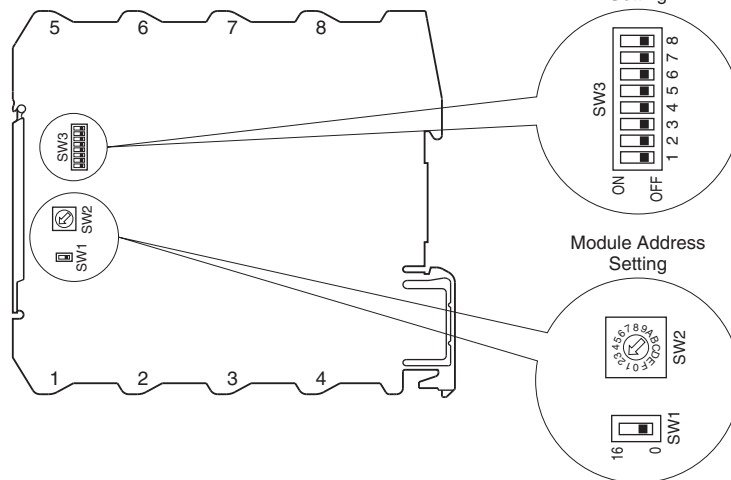
Note: Wire breakdown detection is applicable with Firmware Version 2.00 or later.

## EXTERNAL VIEW

### • Front View (cover opened)

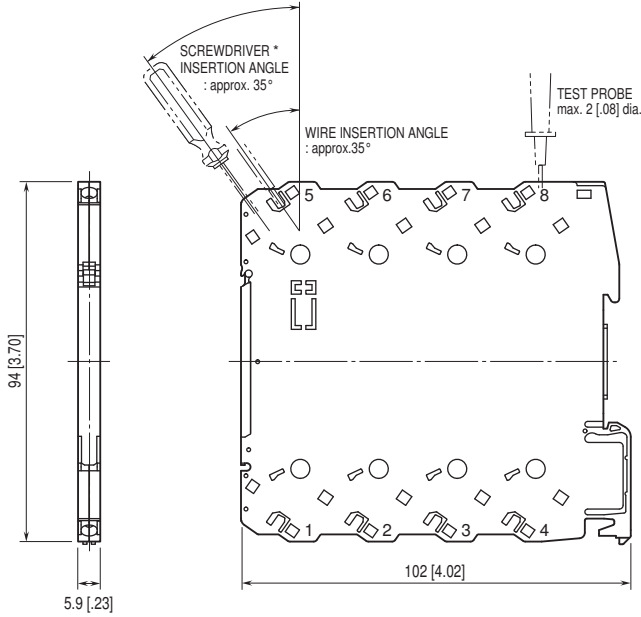


### • Side View



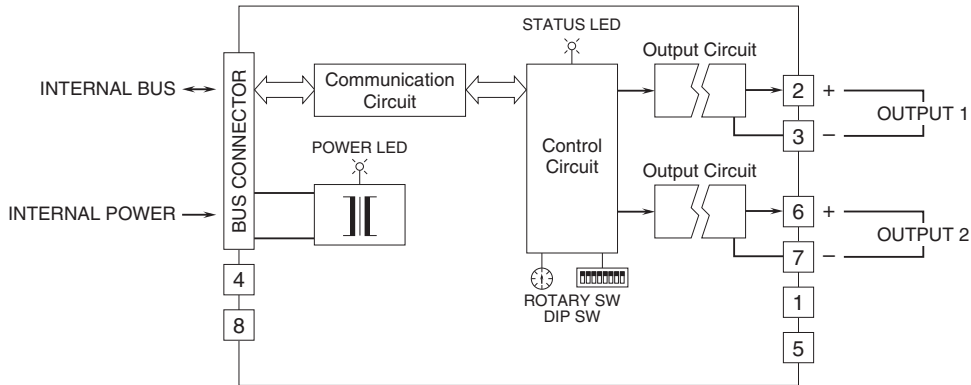
Refer to the instruction manual for setting procedures.

## EXTERNAL DIMENSIONS & TERMINAL ASSIGNMENTS unit: mm [inch]



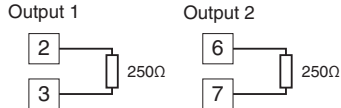
\*Use a minus screwdriver: tip width 3.8 mm max., tip thickness 0.5 to 0.6 mm

## SCHEMATIC CIRCUITRY & CONNECTION DIAGRAM



### ■ UNUSED OUTPUT TERMINALS

Install the attached resistor between the unused output terminals as indicated below.



If unused output terminals are left open, status indicator LED blinks in red (0.5 sec. cycle), and error flags are set in the PLC, etc.

Note: Output wire breakdown detection is applicable with Firmware Version 2.00 or later.



Specifications are subject to change without notice.