

03

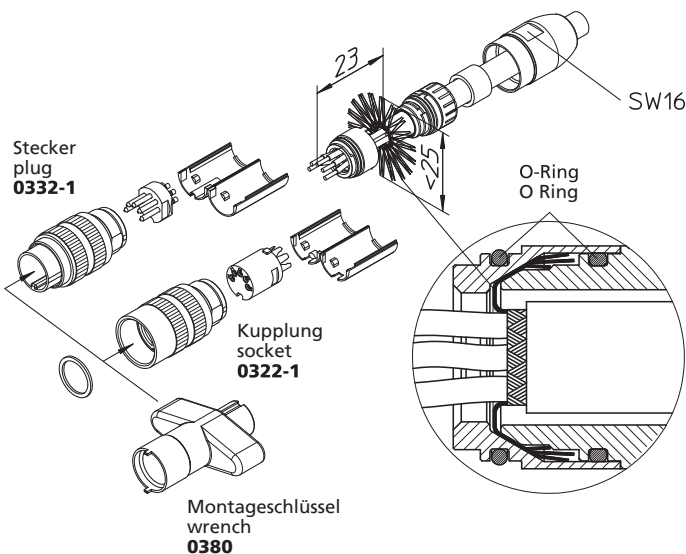
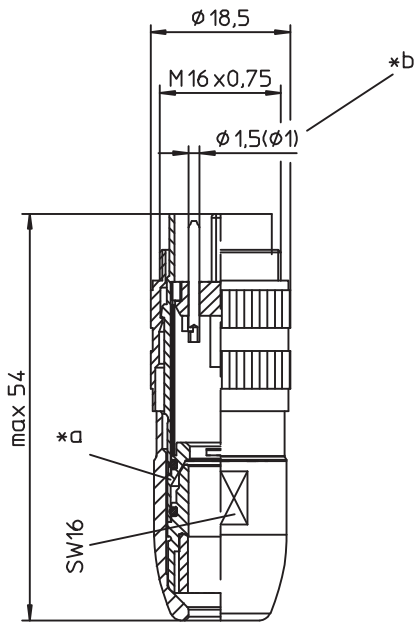
0332-1

Circular connectors with threaded joint M16 acc. to IEC 61076-2-106, IP40/IP67/IP68



Plug acc. to AISG specification and IEC 61076-2-106, IP 68,
with threaded joint and solder terminals, shielded at 360°

03 0332-1



Environmental conditions

Temperature range -40 °C/+85 °C

Materials

Insulating body	PA GF, V-0 according to UL94
Contact pin	CuZn, silver-plated and flash gold-plated
Housing	CuZn, nickel-plated
Knurled screw	CuZn, nickel-plated
Seal	NBR

Mechanical data

Protection class IP68¹

¹ according to IEC DIN EN 60529, only in locked condition with an appropriate counterpart; IPX8 requirements under agreement between manufacturer and user

Connectable conductors for solder area

Section	≤ 0.75 mm ² (AWG 20)
Cable diameter	4–8 mm

Electrical data (at T_{amb} 20 °C)

Rated current	5 A (T _{amb} 40 °C)
Rated voltage	60 V
Rated impulse voltage	1000 V
Insulation resistance	> 100 MΩ

Associated products

Counterparts

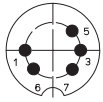
☞ 0304	☞ 0304-1	☞ 0304-2
☞ 0305	☞ 0305-1	☞ 0305-1 U
☞ 0305-2	☞ 0306	☞ 0306-1
☞ 0306-2	☞ 0307	☞ 0307-1
☞ 0307-2	☞ 030798-1	☞ 030798-2
☞ 030799-2	☞ 0308	☞ 0308-1
☞ 0308-2	☞ 0321	☞ 0322
☞ 0322-1	☞ 032200	☞ 0360
☞ 036000	☞ 0362	☞ 036297
☞ 0363		

Accessories

☞ 0383	☞ 038399	☞ 038899
--------	----------	----------

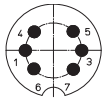
03

0332-1

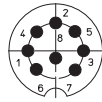


*c

0332-1 05-3



-



08-a

0332-1 08-1

*a shielding

*b 12 and 14 pole version Ø 1.0 mm

*c pin configuration according to AISG C485

03

0332-1

Designation	Pole Number	PU (Pieces)	MDQ (Pieces)
0332-105-3	5	50	100
0332-108-1	8	50	100

Packaging:

sets of individual parts in plastic bags, in a cardboard box